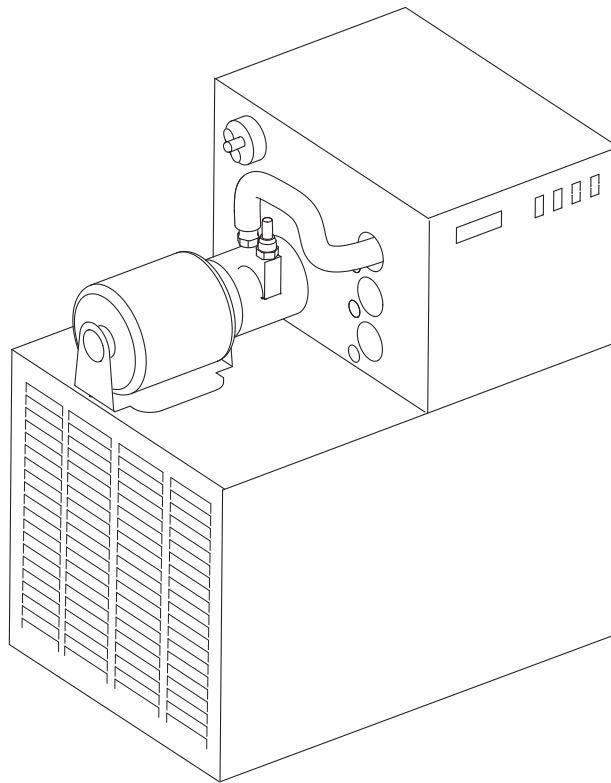


CENTURY SYSTEM POWER PAKS (WATER-COOLED)



MODELS

- 4404W Series
- 4410W Series
- 4414W Series
- 4420W Series



Perlick Features

- 1/3 and 1/2 and 3/4 HP 115V, and 1^{1/2} HP 230 volt models.
- 134a, constant pressure expansion valve, and condensing unit with service valves
- Adjustable electronic temperature control with digital readout.
- High efficiency, compact heat exchanger provides more efficiency for longer beer runs.
- Top mounted, close-coupled pump and 1/3 HP ball bearing motor assembly for easy service
- Factory pre-mixed glycol guarantees performance
- Optional leg kit for free standing, off the floor installation
- Optional factory-installed multiple pump kits

Form No.121601
Rev. 04.19.2013

Perlick[®]

8300 West Good Hope Road • Milwaukee, WI 53223 • Phone 414.353.7060 • Fax 414.353.7069
Toll Free 800.558.5592 • E-Mail perlick@perlick.com • www.perlick.com

Size and Specifications - Century System

Power Paks – Water-Cooled

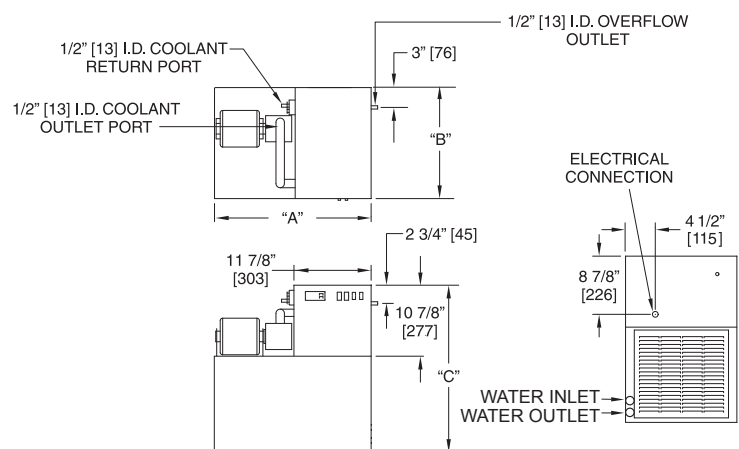
Job _____
 Area _____
 Item No. _____
 Model No. _____

MODEL NOS.	4404W	4410W	4414W	4420W	
DIMENSIONS: EXTERIOR (mm)	Length "A"	24 ^{1/4"} (616)	24 ^{1/4"} (616)	26 ^{3/4"} (679)	26 ^{3/4"} (679)
	Width "B"	17 ^{1/4"} (438)	17 ^{1/4"} (438)	20 ^{1/4"} (519)	20 ^{1/4"} (519)
	Height "C"	25 ^{1/2"} (648)	25 ^{1/2"} (648)	31" (782)	31" (782)
A minimum of six inches of clearance should be allowed around the entire unit for proper performance. Additional clearance should be considered for above the unit and in front of the unit for serviceability.					
ELECTRICAL	Voltage	120 V	120 V	120 V	208/230 V***
	Frequency	60 Hz	60 Hz	60 Hz	60 Hz
	Phase	1 Ø	1 Ø	1 Ø	1 Ø
SINGLE PUMP	RLA	9.7	12.7	13.4	16.5
	MCA	17.8	19.9	20.4	22.8
DUAL PUMPS (add -2 to model #)	RLA	N/A	15.5	16.2	19.3
	MCA	N/A	22.7	23.2	25.6
TRIPLE PUMPS (add -3 to model #)	RLA	N/A	N/A	N/A	22.1
	MCA	N/A	N/A	N/A	28.4
COMPRESSOR	1/3 HP	1/2 HP	3/4 HP	1-1/2 HP	
EVAPORATOR RATING @ 20°F (BTUH)	3420	4080	6870	13,800	
HEAT REJECTION (MAX)	2050	2450	4122	6500	
REFRIGERANT	R-134a	R-134a	R-134a	R-134a	
SHIPPING WEIGHT LBS (kg)	141 (64)	143 (65)	205 (93)	255 (116)	
CABINET	Stainless Steel				
CIRCULATING PUMP	100 GPH/130 PSIG				
RESERVOIR CAPACITY	1.75 gal	1.75 gal	1.75 gal	1.75 gal	
REFRIGERATION	Constant Pressure Expansion Valve, Condensing Unit with Service Valves				
REFRIGERANT CHARGE (grams)	14.5 oz / 410 g	14.5 oz / 410 g	22.0 oz / 623 g	22.0 oz / 623 g	
GLYCOL CONCENTRATION	33%	33%	33%	33%	
PLUMBING REQUIREMENTS					
INLET & OUTLET	All employ 1/2" O.D. Quick Connect Fittings				
FLOW RATE (gpm) @ 75°F	0.5	0.6	0.9	1.2	
PRESSURE DROP (psig)	0.1	0.2	0.4	0.5	
MAX SUPPLY PRESSURE	All Models: Incoming Water Pressure not to exceed 150 psig				

OPTIONAL ACCESSORIES	
4430	115V pump kit for 4410 Power Pak (field installed)
4431	115V pump kit for 4414 Power Pak (field installed)
4435	BLM Receptacle
4408SS	Wall Bracket for 4404 & 4410 only
57782	Set of four adjustable legs
54838	Water hammer arrestor (add if incoming water is under 65°F)
61790	Dual tier rack
61791+1	Triple tier rack
61792+2	Quad tier rack
C22296A-20	Cord Kit for 120V single pump Power Paks only (Field Installed)
C21499BSS	Stainless Steel Table Stand

*Note: Allow a minimum of six inches of clearance on the louvered ends of the cabinet for proper air flow. Allow accessibility room on top and front of cabinet for serviceability. Above specifications are subject to change without prior approval.

***Requires four (4) wires (2 hot, 1 neutral, 1 ground)



Form No.121601
 Rev. 04.19.2013



8300 West Good Hope Road • Milwaukee, WI 53223 • Phone 414.353.7060 • Fax 414.353.7069
 Toll Free 800.558.5592 • E-Mail perlick@perlick.com • www.perlick.com

Perlick is committed to continuous improvement. Therefore, we reserve the right to change specifications without prior notice