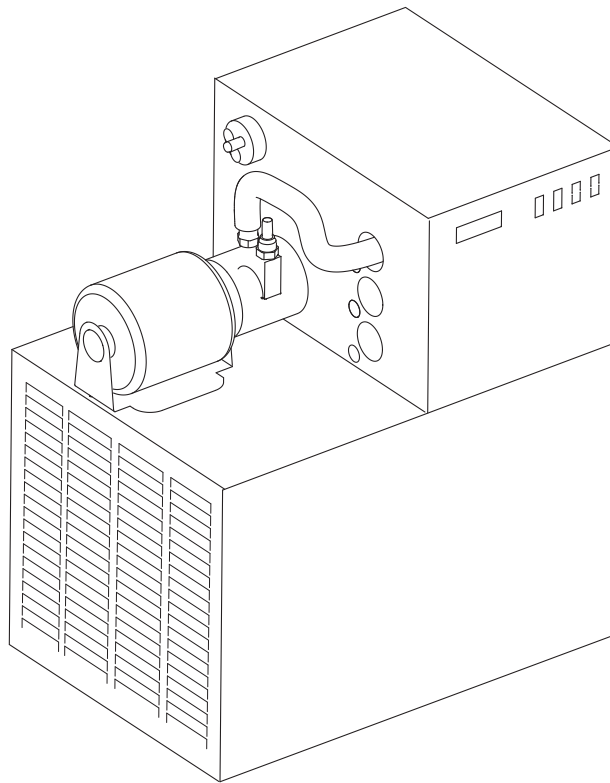


# CENTURY SYSTEM POWER PAKS (AIR-COOLED)



## MODELS

- 4404 Series
- 4410 Series
- 4414 Series
- 4420 Series



## Perlick Features

- 1/3, 1/2 and 3/4 HP 115V, and 3/4, 1<sup>1/2</sup> HP 230 volt models.
- 134a, constant pressure expansion valve, and condensing unit with service valves
- Adjustable electronic temperature control with digital readout.
- High efficiency, compact heat exchanger provides more efficiency for longer beer runs.
- Top mounted, close-coupled pump and 1/3 HP ball bearing motor assembly for easy service
- Factory pre-mixed glycol guarantees performance
- Optional leg kit for free standing, off the floor installation
- Optional factory-installed multiple pump kits

Form No.121701  
Rev. 04.19.2013



8300 West Good Hope Road • Milwaukee, WI 53223 • Phone 414.353.7060 • Fax 414.353.7069  
Toll Free 800.558.5592 • E-Mail [perlick@perlick.com](mailto:perlick@perlick.com) • [www.perlick.com](http://www.perlick.com)

# Size and Specifications - Century System

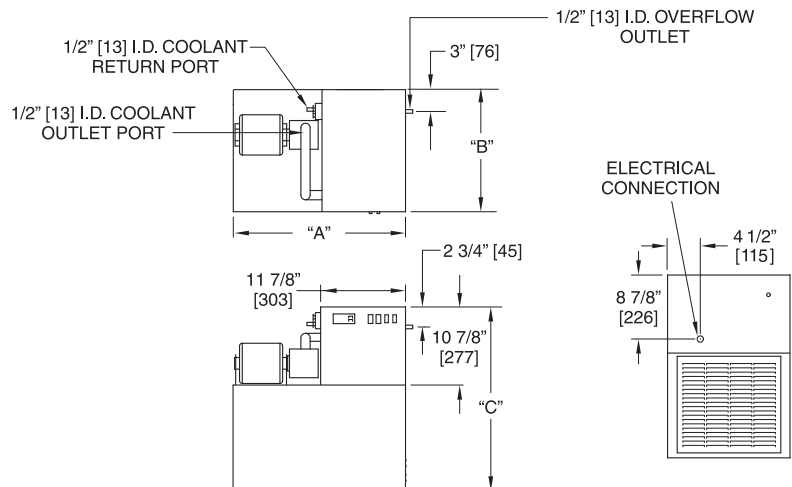
Power Paks – Air-Cooled

Job \_\_\_\_\_  
 Area \_\_\_\_\_  
 Item No. \_\_\_\_\_  
 Model No. \_\_\_\_\_

MODEL NOS.	4404	4410	4414	4414-230	4420	
DIMENSIONS: EXTERIOR (mm)	Length "A"	24 <sup>1/4"</sup> (616)	24 <sup>1/4"</sup> (616)	24 <sup>1/4"</sup> (616)	26 <sup>3/4"</sup> (679)	26 <sup>3/4"</sup> (679)
	Width "B"	17 <sup>1/4"</sup> (438)	17 <sup>1/4"</sup> (438)	17 <sup>1/4"</sup> (438)	20 <sup>1/4"</sup> (519)	20 <sup>1/4"</sup> (519)
	Height "C"	25 <sup>1/2"</sup> (648)	25 <sup>1/2"</sup> (648)	25 <sup>1/2"</sup> (648)	31" (782)	31" (782)
	A minimum of six inches of clearance should be allowed around the entire unit for proper performance. Additional clearance should be considered for above the unit and in front of the unit for servicability.					
ELECTRICAL	Voltage	120 V	120 V	120 V	208/230 V***	208/230 V**
	Frequency	60 Hz	60 Hz	60 Hz	60 Hz	60 Hz
	Phase	1 Ø	1 Ø	1 Ø	1 Ø	1 Ø
SINGLE PUMP	RLA	10.5	12.5	15.4	8.9	16.5
	MCA	16.9	17.7	19.6	12.2	23.9
DUAL PUMPS (add -2 to model #)	RLA	N/A	18.6	21.0	11.17	19.3
	MCA	N/A	23.8	25.2	15.0	26.7
TRIPLE PUMPS (add -3 to model #)	RLA	N/A	N/A	N/A	14.5	22.1
	MCA	N/A	N/A	N/A	17.8	29.5
COMPRESSOR	1/3 HP	1/2 HP	3/4 HP	3/4 HP	1.5 HP	
EVAPORATOR RATING @ 20°F (BTUH)	2550	3800	6000	6300	12000	
HEAT REJECTION (MAX)	4080	6080	9600	10080	19200	
REFRIGERANT	R-134a	R-134a	R-134a	R-134a	R-134a	
SHIPPING WEIGHT LBS (kg)	140 (64)	153 (69)	180 (82)	205 (93)	255 (116)	
CABINET	Stainless Steel					
CIRCULATING PUMP	100 GPH/130 PSIG					
RESERVOIR CAPACITY	1.75 gal	1.75 gal	1.75 gal	1.75 gal	1.75 gal	
REFRIGERATION	Constant Pressure Expansion Valve, Condensing Unit with Service Valves					
REFRIGERANT CHARGE (grams)	14.0 oz/397 g	12.0 oz/340 g	9.5 oz/269 g	11.0 oz/312 g	16.0 oz/453 g	
GLYCOL CONCENTRATION	33%	33%	33%	33%	33%	
OPTIONAL ACCESSORIES	4430 115V pump kit for 4410 Power Pak (field installed) 4431 115V pump kit for 4414 Power Pak (field installed) 4432 208/230V pump kit for 4414/230V and 4420 Power Paks (field installed) 4435 BLM Receptacle 4408SS Wall Bracket for 4404 & 4410 only C21499BSS Stainless Steel Table Stand		61790 Dual Tier Rack 61791+1 Triple Tier Rack 61792+2 Quad Tier Rack C22296A-20 Cord Kit for 120V single pump Power Paks only (Field installed)			

\*Note: Allow a minimum of six inches of clearance on the louvered ends of the cabinet for proper air flow. Allow accessibility room on top and front of cabinet for servicability.

\*\*Requires four wires (2 hot, 1 neutral and 1 ground).



Form No.121701  
 Rev. 04.19.2013



8300 West Good Hope Road • Milwaukee, WI 53223 • Phone 414.353.7060 • Fax 414.353.7069  
 Toll Free 800.558.5592 • E-Mail perlick@perlick.com • www.perlick.com

Perlick is committed to continuous improvement. Therefore, we reserve the right to change specifications without prior notice