



TOBIN ELLIS SIGNATURE COCKTAIL STATION REFRIGERATED DRAWER CABINET



BBS36C



Shown with optional cutting board

JOB	
AREA	
ITEM NO.	
MODEL NO.	

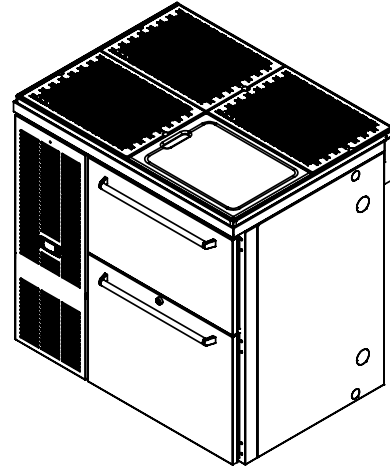
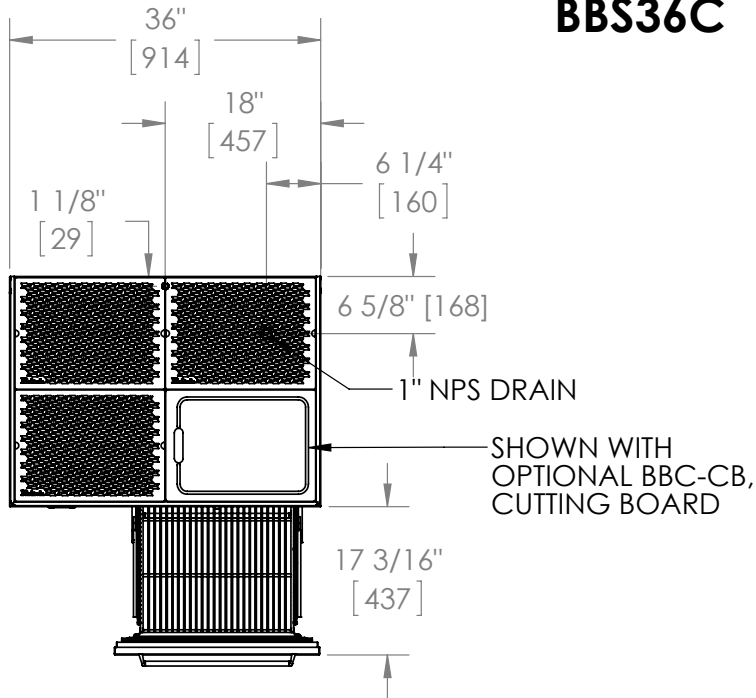
MODEL	
BBS36C	2-drawer model

MODEL NUMBERS		BBS36C
EXTERIOR CABINET DIMENSIONS	Length - in. (mm)	36 (914)
	Depth - in. (mm)	26-5/8 (677)
	Height - in. (mm)	35-5/16 (897)
INTERIOR CABINET DIMENSIONS	Length - in. (mm)	20 (508)
	Depth - in. (mm)	18-3/4 (476)
	Height - in. (mm)	31 (788)
INTERNAL VOLUME Net. Cu. Ft. (Litres)		7.4 (210)
SHIPPING WEIGHT Lbs. (kg.)		254 (115)
ELECTRICAL SPECIFICATIONS	Electrical Supply	120 VAC/60 Hz/1 Ph
	Running Load Amps	3.2
	Electrical Connection	Cord connected
	Cord Plug Type	NEMA 5-15
	Cord Length	8'
	Defrost Initiation	Automatic
	Defrost Type	Off cycle
	Thermostat	Digital control
	Lighting Type	LED
REFRIGERATION SPECIFICATIONS	Horsepower	1/5
	Refrigerant	R134a
	Refrigerant Charge	6.5
	Factory Temperature Setting - Refrigerator	38 (3.3)
	Temperature Range - Refrigerator	33-40 (0.5-4.5)
	Condensing Unit Location	Left or Right
	Expansion Device	Capillary tube
	Pull-Out Condensing Unit	Yes
	Front Vented	Yes
PLUMBING	Floor Drain Included	Yes
	Evaporator Condensate	Automatically
ACCESSORIES	Garnish/ingredient rack for combination of Sixth and Ninth size pans, Pan - sixth size, Pan - ninth size, cutting board, knife holder, tong holder	



TOBIN ELLIS SIGNATURE COCKTAIL STATION REFRIGERATED DRAWER CABINET

BBS36C



UPPER BASKET
17 1/8" [434] LENGTH
20 1/16" [510] DEPTH
9 1/4" [235] HEIGHT

