

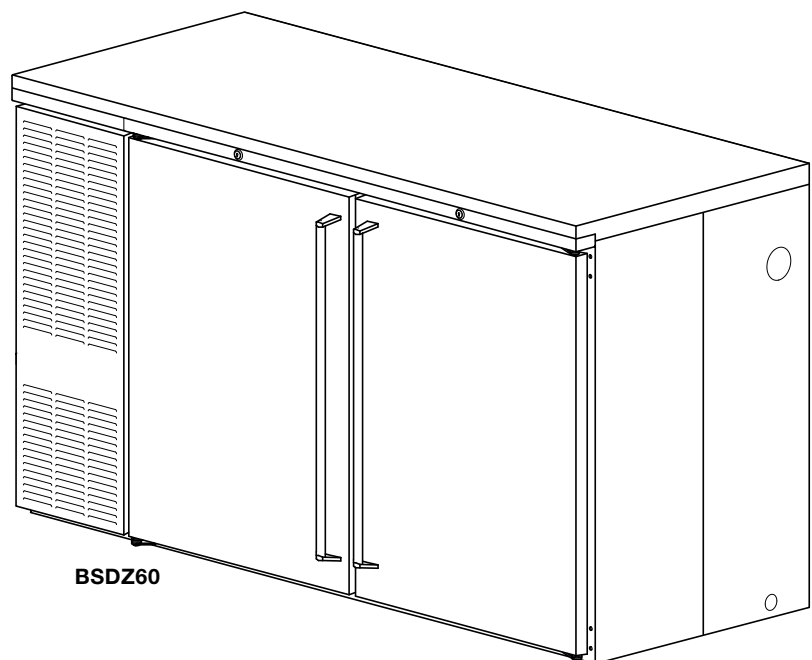
# DUAL ZONE BACK BAR CABINET — SELF-CONTAINED

## Perlick Features

- Choice of three zone configurations:  
Refrigerator/white wine, refrigerator/red wine or white wine/red wine
- Front vented compressor.
- Self-closing field reversible doors with locks.
- Approved for ANSI/NSF #7 prepackaged, bottled and canned product.
- Quiet-running, high efficiency compressor.
- Two inch foamed-in-place insulation provides greater energy efficiency and structural strength.
- Two inch thermal breaks and mullion heaters combine to resist condensation build up around the door openings.
- Low-E glass doors improve insulation and resist condensation on the glass.
- Compact fluorescent light above each door fully illuminates interior.
- Heavy-duty, reinforced base will not bend or sag.
- Heavy-duty polyethylene door sill.
- Stainless steel exterior.
- Heavy-duty stainless steel hinges.
- Epoxy coated evaporator coil.
- Vinyl coated shelves.
- Optional full extension wine shelving.
- Stainless steel top included
- Multiple door finish options.
- Condensing unit installed left or right end.

## MODEL NOS.

BSDZ60



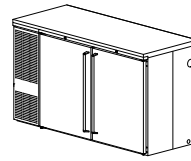
8300 West Good Hope Road • Milwaukee, WI 53223 • Phone 414-353-7060 • Fax 414-353-7069  
Toll Free 800-558-5592 • E-Mail: [Perlick@Perlick.com](mailto:Perlick@Perlick.com) • [www.Perlick.com](http://www.Perlick.com)

Form No. 022508  
Rev. 08.31.10

# Sizes and Specifications

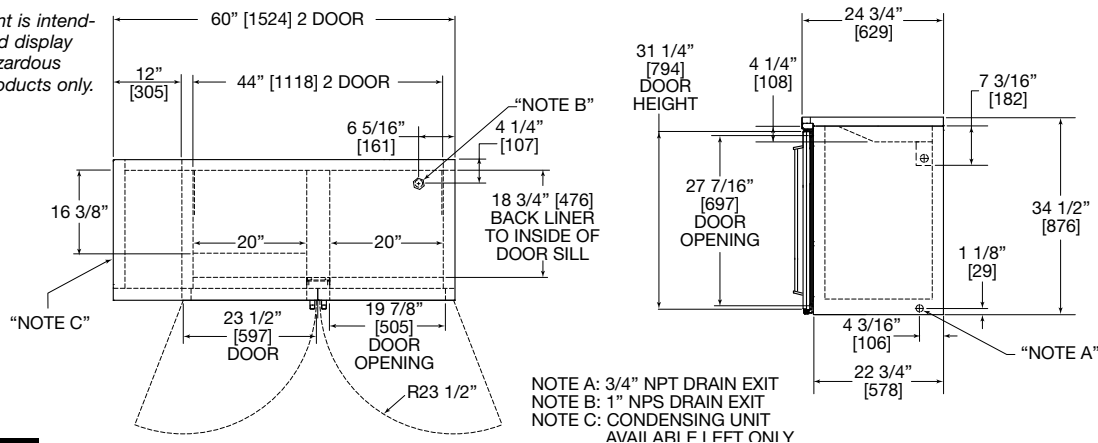
## Dual Zone Back Bar Cabinets – Self Contained

Job \_\_\_\_\_  
 Area \_\_\_\_\_  
 Item No. \_\_\_\_\_  
 Model No. \_\_\_\_\_



<b>MODEL NOS.</b>		<b>BSDZ60</b>
<b>NUMBER OF DOORS</b>		2
<b>CABINET DIMENSIONS</b>	Length - Inches (mm)	<b>60" (1524)</b>
	Depth - Inches (mm)	24 <sup>3</sup> / <sub>4</sub> " (629)
	Height - Inches (mm)	34 <sup>1</sup> / <sub>2</sub> " (876)
<b>CASE CAPACITY</b> (based on 12 oz. Long Neck bottle)		15
<b>CASE CAPACITY</b> (based on use of full extension wine shelves)		48 bottles (per door)
<b>CONDENSING UNIT H.P.</b>		1/4
<b>RUNNING LOAD –AMPS</b>		5.5
<b>SHIP WT. Lbs. (kg.)</b>		390 (177)
<b>INTERIOR</b>	<b>Door sill:</b> High strength polyethylene. <b>Door pan and ceiling:</b> High strength polystyrene. <b>Floor pan and Walls:</b> Stainless steel. Includes pilasters, (2) vinyl coated shelves and floor rack per door, and interior lights.	
<b>EXTERIOR</b>	Front, back, top and sides stainless steel. Bottom galvanized steel. See optional accessories for door & grille finishes.	
<b>DOOR HINGING</b>	Stainless steel hinges with standard location as illustrated. For special hinging hinge locations starting left to right. Field reversible.	
<b>DOOR HARDWARE</b>	<b>Door handles:</b> Choice of full length stainless steel, classic 6" black vinyl wrapped pull or top mounted stainless steel pull tab. <b>Lock finish:</b> chrome.	
<b>REFRIGERATION</b>	R-134a capillary tube-type. Aluminum fin and copper tube evaporator, epoxy coated coil. Adjustable temperature control for each temperature zone. Self-defrosting. Pull out condensing unit for service and cleaning. Condensing unit installed left or right end.	
<b>ELECTRICAL</b>	115V, 60Hz., 1 phase AC. Furnished with 3-prong, 6 foot NEMA5-15 PC cord. Contact Perlick for other voltage/frequency requirements.	
<b>PLUMBING</b>	Evaporator condensate is removed automatically. Optional floor drain with 3/4" NPT at right end or 1" NPS out bottom come plugged from factory.	
<b>INSULATION</b>	Foamed-in-place polyurethane, 2" walls, 1 1/2" top.	
<b>OPTIONAL ACCESSORIES &amp; MODIFICATIONS</b>	<ul style="list-style-type: none"> <li>• Leg set</li> <li>• Laminated top</li> <li>• Laminated ends</li> <li>• Full extension wine shelves</li> <li>• Brass hardware (classic &amp; full length only)</li> <li>• Caster sets</li> <li>• Base plates</li> </ul>	<b>Door finishes</b> Black vinyl coated Stainless steel Customer choice of laminate Prepared for field lamination Glass door with black vinyl coated frame Glass door with stainless

NOTE: This equipment is intended for the storage and display of non-potentially-hazardous bottled or canned products only.



8300 West Good Hope Road • Milwaukee, WI 53223 • Phone 414-353-7060 • Fax 414-353-7069  
 Toll Free 800-558-5592 • E-Mail: Perlick@Perlick.com • www.Perlick.com