



FILLER SECTIONS SIX INCH

Perlick Features

- All stainless steel.
- Some models with black high-impact polypropylene bottle wells.

MODEL NOS.

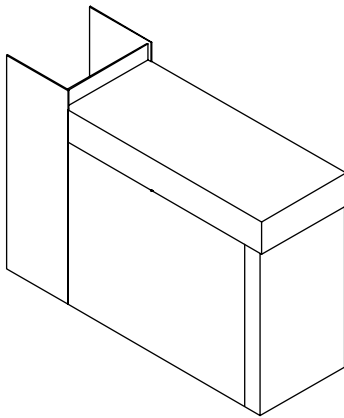
TS Series

- TS6CO
- TS6CO2
- TS6FA

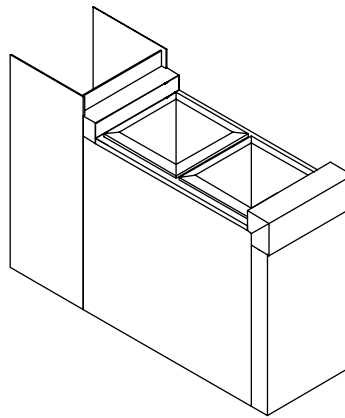
MODEL NOS.

TSD Series

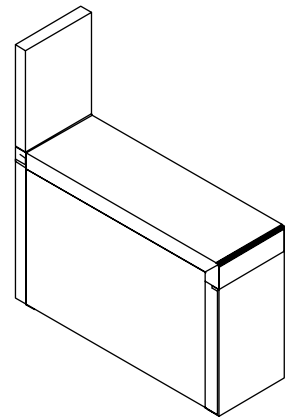
- TSD6FA



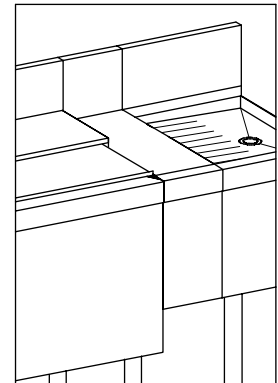
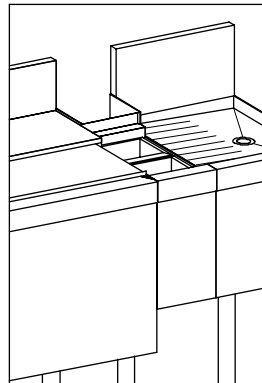
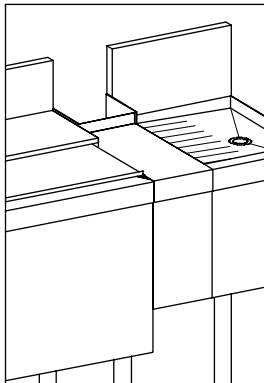
TS6CO



TS6CO2



TS6FA



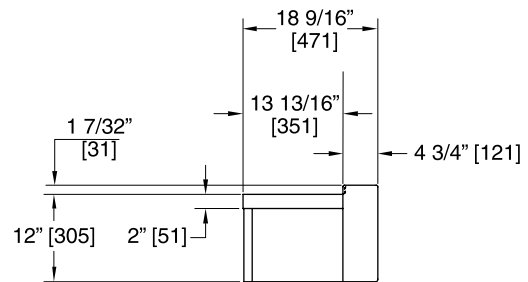
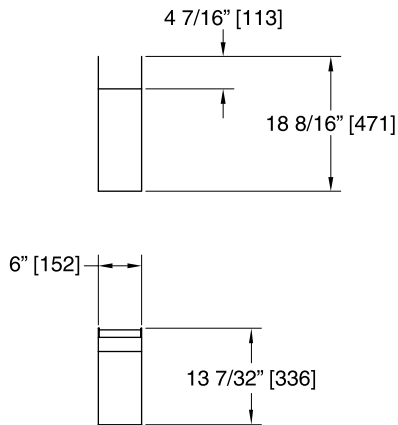


Sizes and Specifications Filler Sections Six Inch

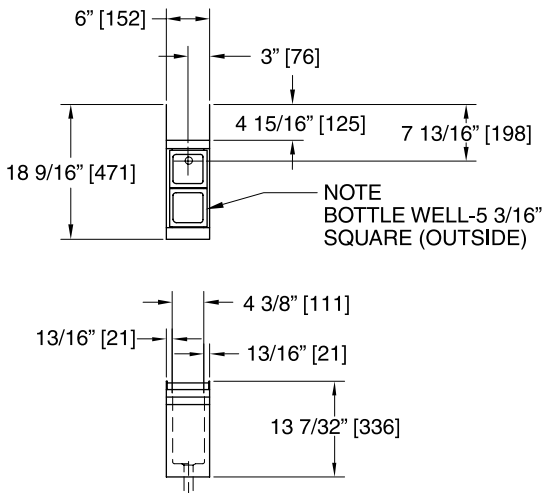
Job _____
 Area _____
 Item No. _____
 Model No. _____

| MODEL NOS. | TS6CO | TS6CO2 | TS(D)6FA |
|-------------------|--|-------------------------------------|---------------|
| DESCRIPTION | With Access Cutout & Flat Top | With Access Cutout & 2 Bottle Wells | With Flat Top |
| LENGTH INS. (mm) | 6" (152) | 6" (152) | 6" (152) |
| SHIP WT lbs. (kg) | 20 (9) | 25 (11) | 18 (8) |
| GENERAL PARTS | Stainless steel. | | |
| BACKSPLASH | TS(D)6FA: Stainless steel, 6" high (<i>4" high optional</i>) with 1" return at top, mechanically fastened and sealed with steel support brackets. TSD Series: Stainless steel rear deck. | | |
| INSULATION | N/A | Fiberglass | N/A |
| BOTTLE WELLS | N/A | Black High-Impact Polypropylene | N/A |
| DRAIN CONNECTION | N/A | 1" NPS Male | N/A |

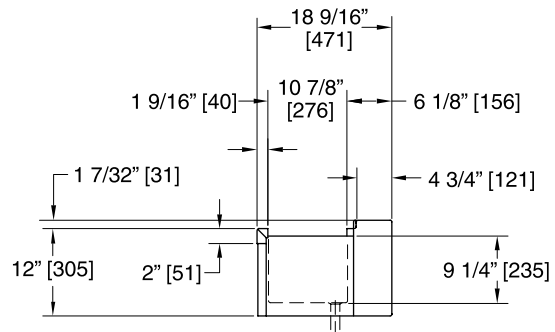
TS6CO



TS6CO2



NOTE
 BOTTLE WELLS SHOWN
 IN TOP VIEW ONLY



8300 West Good Hope Road • Milwaukee, WI 53223 • Phone 414-353-7060 • Fax 414-353-7069
 Toll Free 800-558-5592 • E-Mail: Perlick@Perlick.com • www.Perlick.com

Perlick is committed to continuous improvement.
 Therefore, we reserve the right to change specifications without prior notice.

Form No. FS01
 Rev. 03.30.05