



FILLER SECTIONS THRU-THE-BAR

Perlick Features

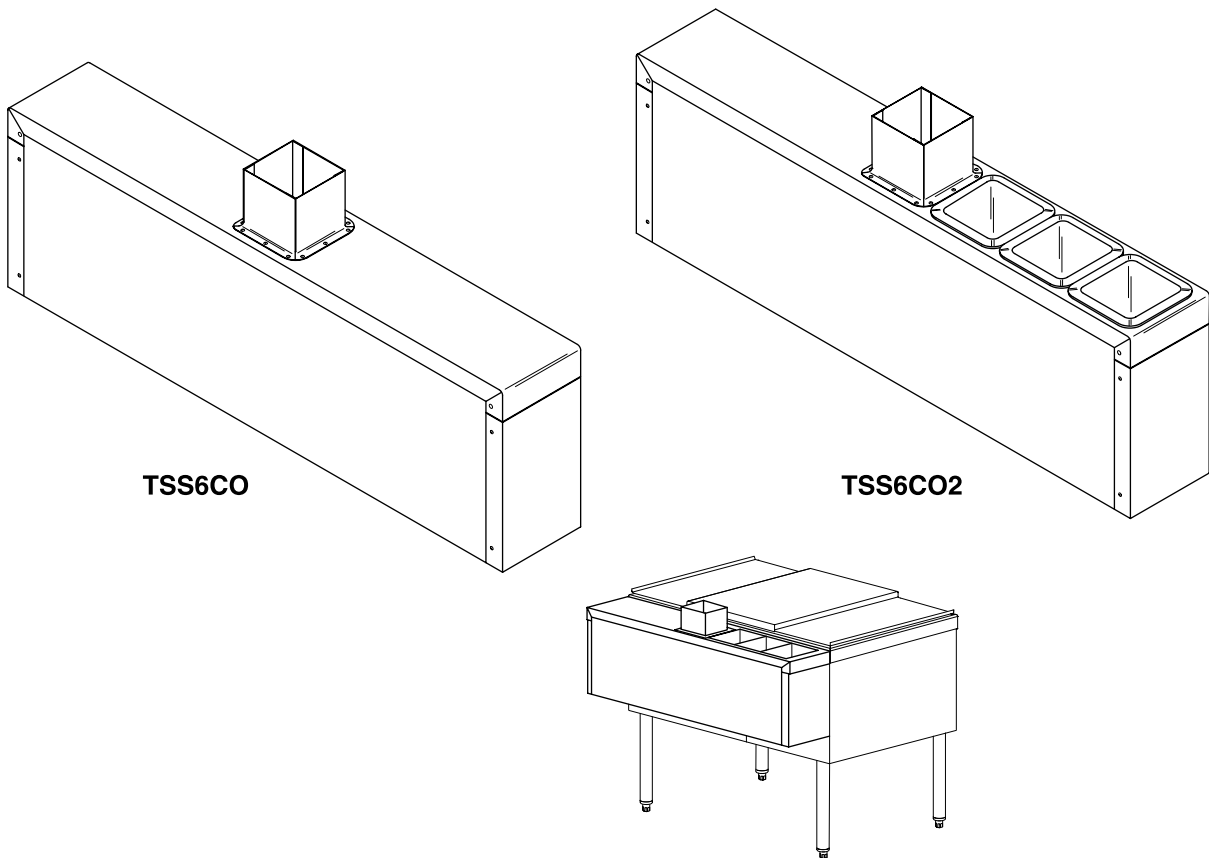
- All stainless steel.
- Access cutout with chase provides opening for beverage lines.
- Some models with black high-impact polypropylene bottle wells.

MODEL NOS.

TSS Series

TSS6CO

TSS6CO2



TSS6CO

TSS6CO2



8300 West Good Hope Road • Milwaukee, WI 53223 • Phone 414-353-7060 • Fax 414-353-7069
Toll Free 800-558-5592 • E-Mail: Perlick@Perlick.com • www.Perlick.com

Form No. FS02
Rev. 03.30.05

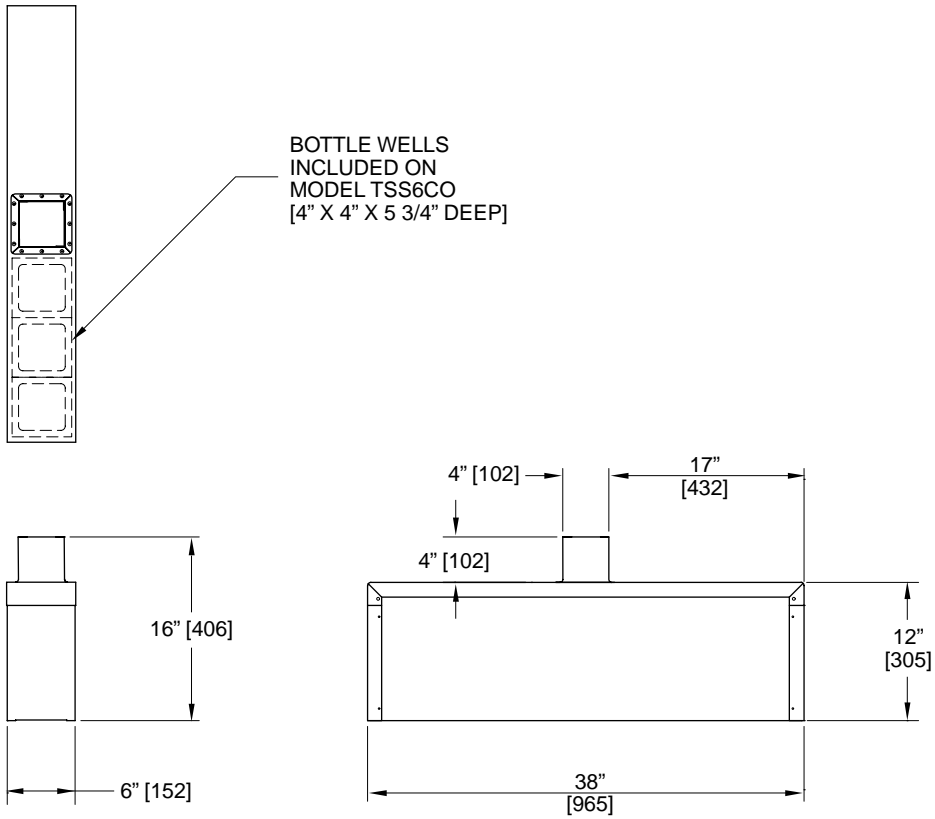


Sizes and Specifications

Filler Sections Thru-The-Bar

Job _____
 Area _____
 Item No. _____
 Model No. _____

MODEL NOS.	TSS6CO	TSS6CO2
DESCRIPTION	With access cutout & flat top	With access cutout & 3 bottle wells
LENGTH INS. (mm)	6" (152)	6" (152)
SHIP WT. lbs. (kg)	25 (11)	30 (14)
GENERAL PARTS	Stainless steel.	
BOTTLE WELLS	N/A	Black high-impact polypropylene



8300 West Good Hope Road • Milwaukee, WI 53223 • Phone 414-353-7060 • Fax 414-353-7069
 Toll Free 800-558-5592 • E-Mail: Perlick@Perlick.com • www.Perlick.com

Perlick is committed to continuous improvement.
 Therefore, we reserve the right to change specifications without prior notice.

Form No. FS02
 Rev. 03.30.05