

JOB \_\_\_\_\_ ITEM # \_\_\_\_\_ QTY # \_\_\_\_\_



The Elite 500 Cashier Stand is a comfortable workstation. Ideal for use in cafeteria/buffet lines. This Elite 500 unit is compatible and will interlock with other Elite 500 units or the cashier stand can be operated as a freestanding separate unit.

**STANDARD FEATURES**

- ◆ 14-gauge stainless steel top with 1-1/2" turndown on all sides
- ◆ Top secured by four recessed bolts for easy access
- ◆ 14-gauge stainless steel legs fastened to 18-gauge stainless steel bottom shelf
- ◆ 20-gauge stainless steel end and front panels are attached to legs
- ◆ Standard unit comes with a solid bottom
- ◆ Hole in top with bushing for cash register cord **(standard)**
- ◆ Locking drawer **(standard)**
- ◆ 5" diameter swivel plate casters, 2 with brakes
- ◆ Interlocking mechanism is provided to interlock with other Elite units
- ◆ The utility drawer is centered in the panel on the open side and mounted on roller bearing slides

**MODEL NUMBER**

- 2-CD  
- with drawer
- 2-CR  
- corner unit
- 2-MCU  
- mitered corner unit

Consult factory for unit specification on a corner or mitered unit.

**DIMENSIONS**

- ◆ 2-CD - with drawer - 36"H x 28"D x 30"L
- ◆ 2-CR - corner unit - 36"H x 28"D x 28"L
- ◆ 36" height on all standard units
- ◆ 30" height is available on Petite Elite units
- ◆ 28" width
- ◆ 30" length

**COMMON OPTIONS**

- PIZZAZZ POWDER COATING IN LIEU OF STAINLESS STEEL**
- Tray slides
- Tubular foot rest
- Duplex outlet
- See reverse side for additional options

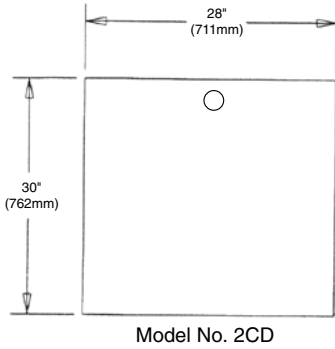
**WARRANTY**

One year parts and labor. Warranty is detailed on inside front cover of the price list.

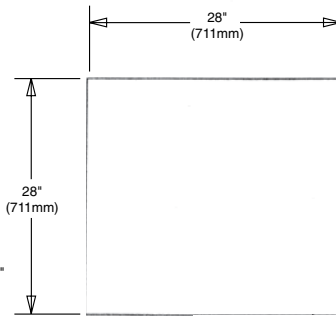
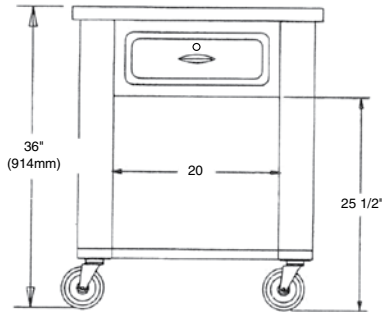
**SPEC** ▶ **A-11**

**PIPER PRODUCTS**  
BUILT TO LAST  
[www.piperonline.net](http://www.piperonline.net)

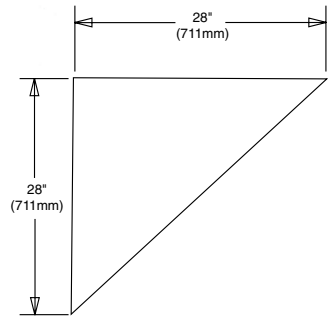
300 S. 84th Avenue  
Wausau, WI 54401  
Phone: 800-544-3057  
Fax: 715-842-3125



Model No. 2CD



Model No. 2-CR



Model No. 2-MCU

## OPTIONS / ACCESSORIES

| Part #                        | Description   |
|-------------------------------|---|
| <input type="checkbox"/> PPC  | Pizzazz Powder Coating                              |
| <input type="checkbox"/> SRTS | Solid 3-ribbed tray slide, 16-gauge stainless steel |
| <input type="checkbox"/> 3BTS | 3-bar tray slide                                    |
| <input type="checkbox"/> SSL  | Legs in lieu of casters                             |
| <input type="checkbox"/> DOUT | Duplex outlet (120V, 15 AMP)                        |
| <input type="checkbox"/> FRMA | Formica laminate finish                             |
| <input type="checkbox"/> TFR  | Tubular foot rest                                   |
| <input type="checkbox"/> SKR  | Skirting  |

## CASHIER STAND UNIT SPECIFICATIONS

| Model#              | Length | Width | Height | Ship Wt. (lbs) |
|---------------------|--------|-------|--------|----------------|
| 2-CD with drawer    | 30"    | 28"   | 36"    | 165            |
| 2-CR Corner unit    | 28"    | 28"   | 36"    | 160            |
| Mitered Corner unit | -      | 28"   | 36"    | 140            |

Drawer is 16" wide, 19" long and 2-1/2" deep.

## DIMENSION ADDITIONS FOR OPTIONS

- ◆ Add 12-3/4" to width for solid ribbed tray slide
- ◆ Add 12-1/2" to width for 3-bar tray slide
- ◆ 30" height is available on Petite Elite units

Note: Line-up drawing required when ordering a cashier stand or interconnected units.

## A-11 SPEC

**PIPER PRODUCTS**  
 BUILT TO LAST  
[www.piperonline.net](http://www.piperonline.net)

300 S. 84th Avenue  
 Wausau, WI 54401  
 Phone: 800-544-3057  
 Fax: 715-842-3125

**LIMITED WARRANTY:** PIPER PRODUCTS warrants to the original purchaser parts and labor for a period of twelve (12) months from the date of purchase. See manufacturer's complete warranty for details.

It is our policy to build equipment which is design certified by companies that have been accredited at the Federal Level by the Occupational Safety and Health Agency (OSHA) and ANSI as a National Recognized Testing Laboratory. These companies include CSA International, Underwriters Laboratories, and the National Sanitation Foundation. However, a continuing program of product improvement makes it necessary to submit new models to the agencies as they are developed. Consequently, all models may not bear the appropriate labels at all times.

We reserve the right to change specifications and product design without notice. Such revisions do not entitle buyer to corresponding changes, improvements, additions or replacements for previously purchased equipment. Information is not for design purposes.