

CW-SERIES CITRUS SABER®



CW-Series

CITRUS WEDGING SYSTEM:

The Prince Castle CW-Series Citrus Saber® is an economical solution to wedging, perfectly sectioning fruits and vegetables, including lemons, limes and tomatoes into perfect portions. The Citrus Saber® is the ideal choice for drinks, salads and garnishes. The Citrus Saber® is perfect for operations with minimal counter space due to its compact size.

The Citrus Saber® is constructed of high-impact plastic, making it extremely durable. It is easy to clean and use, and includes an 8 section wedge. Available in both yellow and black.

STANDARD FEATURES:

- Produces uniform and attractive wedges.
- Easy to use.
- Stainless steel blades recessed deep into handle, ensuring safer operation.
- Simple to clean - just rinse.
- Constructed of high-impact, durable plastic.

AVAILABLE MODELS:

- CW-1 Black Citrus Saber®
- CW-6 Yellow Citrus Saber®



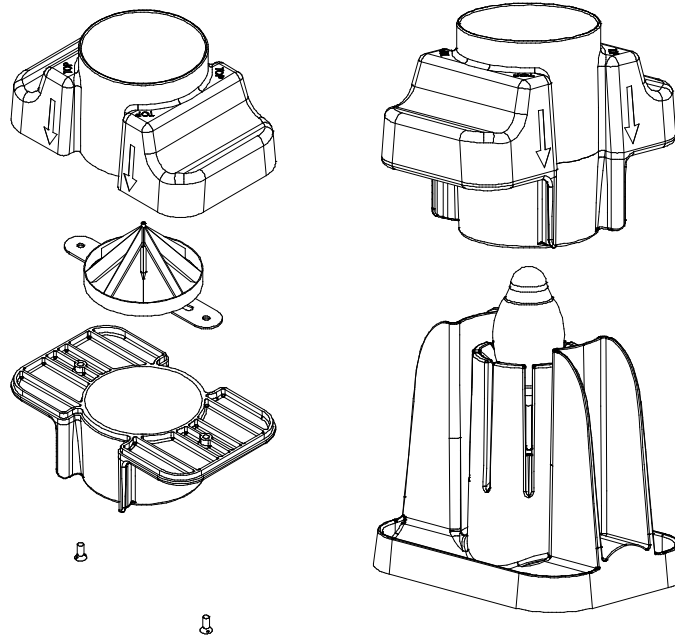
CW-1

CW-6

CW-SERIES CITRUS SABER®

SPECIFICATIONS

LAYOUT:



Designs and specifications are subject to change without notice.

DIMENSIONS:

| Model Number | Width in (cm) | Height in (cm) | Length in (cm) | Shipping Weight lb (kg) | Shipping Cube cu.ft. (cu.m) |
|--------------|---------------|----------------|----------------|-------------------------|-----------------------------|
| CW-Series | 8.00 (20.30) | 7.03 (17.80) | 8.03 (20.40) | 2.00 (1.00) | .90 (.03) |

ORDERING INFORMATION:

| Model | Description |
|----------|---|
| CW-1 | Citrus Saber® - Black (8 section wedger) |
| CW-6 | Citrus Saber® - Yellow (8 section wedger) |
| 925-059S | Replacement Blade Set for Citrus Saber® |

CERTIFICATIONS:

