

Automatic Pulp and Juice Extractors

C80 produces up to 165 lbs. per hour.



C120 produces up to 275 lbs. per hour.

- 3/4 HP motor with on-off, push type switch on C80.
- 1 HP motor with on-off, push type switch on C120.
- Attachments remove easily for cleaning.
- Stainless Steel Construction.
- Large feed tray.
- Two deep feed openings.
- Automatic sieve.
- Attractive, functional design - C80 uses 22" x 14 1/2" of counter space. C120 uses 33" x 19" of floor space.
- 1 year parts and labor warranty.

Automatically separates juice, seed, skin from a variety of fruits.

Robot Coupe U.S.A., Inc.
P.O. Box 16625
Jackson, MS 39236-6625
1-800-824-1646 • (601) 898-8411
FAX: (601) 898-9134
www.robotcoupeusa.com • e-mail: info@robotcoupeusa.

Specifications

STANDARD MODEL:

- C80: Complete stainless steel unit with motor, automatic sieve, one clear plastic pulp container and one clear plastic juice container with 1mm perforated basket.
- C120: Complete stainless steel unit with motor, automatic sieve and discharge chute.

ELECTRICAL REQUIREMENTS:

- C80: 115V, 60Hz, 12 Amps, single phase.
- C120: 115V, 60Hz, 12 Amps, single phase.
- C120A: 220V, 60Hz, 4.5 Amps, three phase.
- Contact your local electrician for local code requirements.

SWITCHING: push-type on and off buttons.

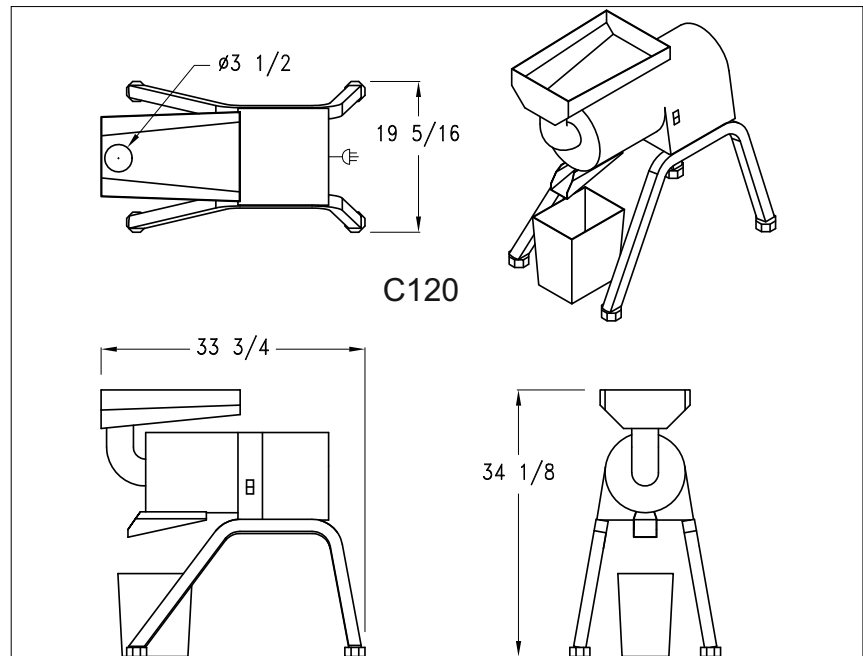
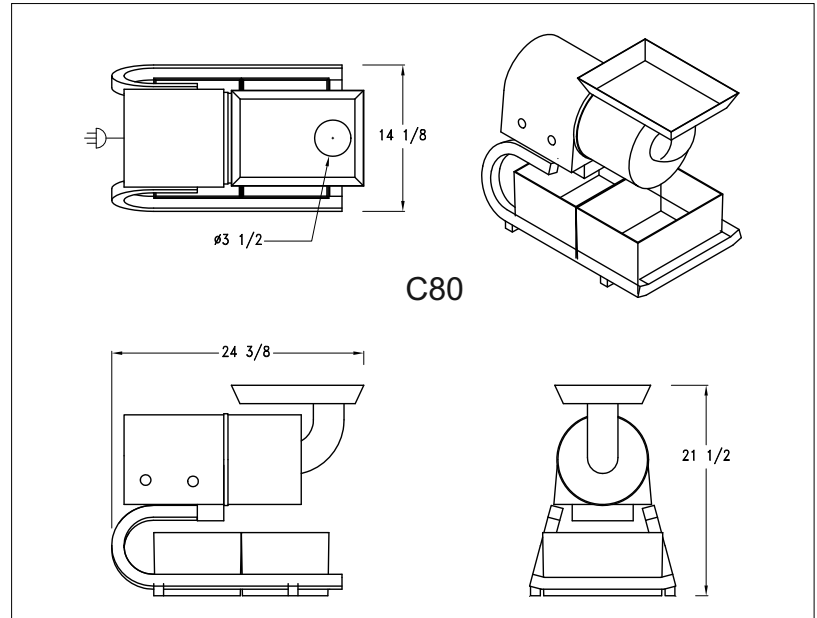
MOTOR:

- C80: 3/4 HP, 1725 RPM
- C120: 1 HP, 1725 RPM
- C120A: 1 HP, 1725 RPM

WEIGHT:

- C80: 58 lbs. net, 62 lbs. approximate shipping weight.
- C120: 151 lbs. net, 160 lbs. approximate shipping weight.

OPTIONAL EQUIPMENT: .5mm perforated basket, 3mm perforated basket, equipment cart.



Robot Coupe U.S.A., Inc.
P.O. Box 16625
Jackson, MS 39236-6625
1-800-824-1646
(601) 898-8411
FAX: (601) 898-9134
www.robotcoupeusa.com
e-mail: info@robotcoupeusa.com

Distributed by: