

## Automatic Pulp and Juice Extractors



- 3/4 H.P. motor with on-off, push type switch on C80.
- 1 H.P. motor with on-off, push type switch on C120.
- Attachments remove easily for cleaning.
- Stainless steel construction.
- Large feed tray.
- Automatic sieve.
- Attractive, functional design—C80 uses 22" x 14-1/2" of counter space. C120 uses 33" x 19" of floor space.
- 1 year parts and labor warranty.

***C120 produces up to 275 lbs. per hour.  
C80 produces up to 165 lbs. per hour.***

Automatically separate juice, seeds, skin from a variety of fruits.

**Robot Coupe U.S.A., Inc.**  
P.O. Box 16625  
Jackson, MS 39236-6625  
**1-800-824-1646**  
FAX: (601) 898-9134  
www.robotcoupeusa.com  
e-mail: robocoup@misnet.com  
SPECIFICATIONS ON  
REVERSE SIDE

## Specifications

### STANDARD PACK:

- C80 Complete stainless steel unit with motor, automatic sieve, one clear plastic pulp container and one clear plastic juice container with 1mm perforated basket.
- C120 Complete stainless steel unit with motor, automatic sieve and discharge chute.

### ELECTRICAL:

- C80 115 volt, 60 Hz, 12 amps, single phase.  
 C120-1 115 volt, 60 Hz, 12 amps, single phase.  
 C120-2 220 volt, 60 Hz, 4.5 amps, three phase.

### MOTOR:

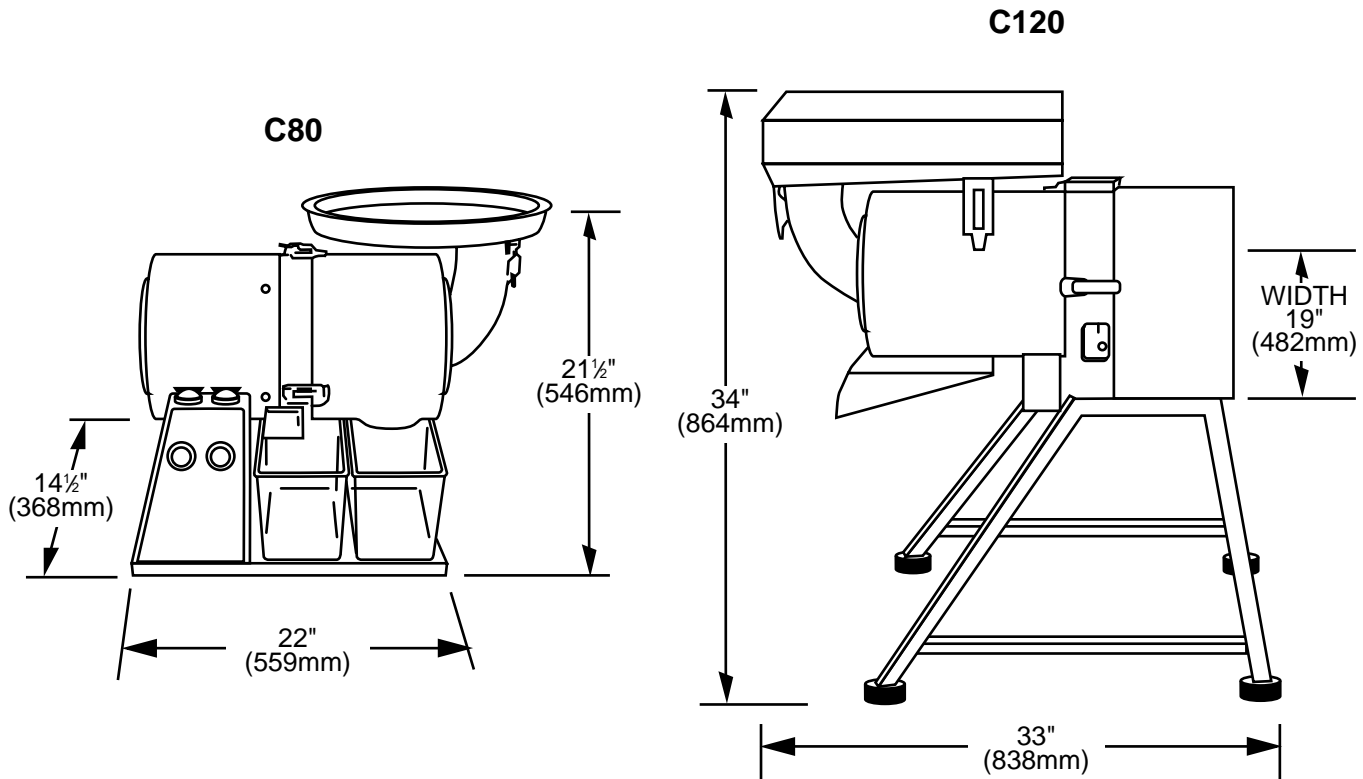
- C80 3/4 H.P., 1725 R.P.M.  
 C120-1 1 H.P., 1725 R.P.M.  
 C120-2 1 H.P., 1725 R.P.M.

**SWITCHING:** On-off, push-type.

### WEIGHT:

- C80 48 net lbs., 52 lbs. approximate shipping weight.
- C120 101 net lbs., 110 lbs. approximate shipping weight.

**OPTIONAL EQUIPMENT:** .5mm perforated basket, 3mm perforated basket, equipment cart.



## Distributed by:

**Robot Coupe U.S.A., Inc.**  
 P.O. Box 16625  
 Jackson, MS 39236-6625  
**1-800-824-1646**  
 FAX: (601) 898-9134  
 www.robotcoupeusa.com  
 e-mail: robocoup@misnet.com