



Job: _____

Item No. _____

DESIGNED FOR HIGHER VOLUME APPLICATIONS

Five – 4 oz. Servings per Minute per side and 17 Quart Capacity per side

IDEAL FOR SELF-SERV BUFFETS, CAFETERIAS, QUICK SERVICE RESTAURANTS

The **SaniServ** model 521 Soft Serve Freezer provides the highest volume of two individual flavors as well as a flavor twist. The 521 offers the highest volume of high profit, consistent quality soft serve and yogurt products in the **SaniServ** product lineup. Two large independent flavor product reservoirs and barrels guarantee separation of product and flavors. Always easy to operate, large product capacity and quick recovery time insure customers receive their favorite flavors individually or with a twist!

SPACE MAXIMIZING

Traditional Floor Model Design - SaniServ model 521 turns valuable floor space into a real profit center by serving the highest volume of two high profit ice cream and yogurt product flavors along with the ability to twist the flavors into a frozen favorite.

EASY CLEANING AND OPERATION

Fewer Parts = Simplified Cleaning – SaniServ equipment is designed and built with the fewest parts to be disassembled, cleaned and sanitized than any other machine in the industry. The state of the art solid-state **AccuFreeze** control insures product consistency, worry-free operation and customer satisfaction.

HIGH RETURN ON INVESTMENT

Increased Profits – SaniServ machines combine efficiency with consistent product quality and fast, quiet operation while insuring customer satisfaction with high profit ice cream or yogurt products.

QUALITY DESIGN

Durability – SaniServ machines are built to achieve long and dependable life through simplicity of design. Every machine is shipped standard with a stainless steel exterior, durable steel interior frame construction, heavy-duty components and consistency systems.

Model 521

Floor Model
Twist Soft Serve
Ice Cream / Yogurt Machine
With **AccuFreeze** Control

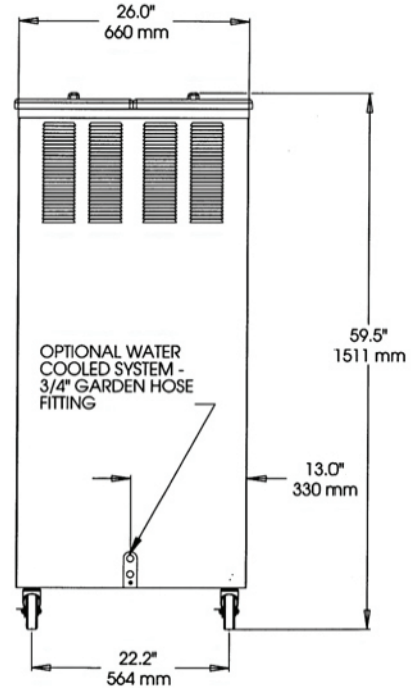
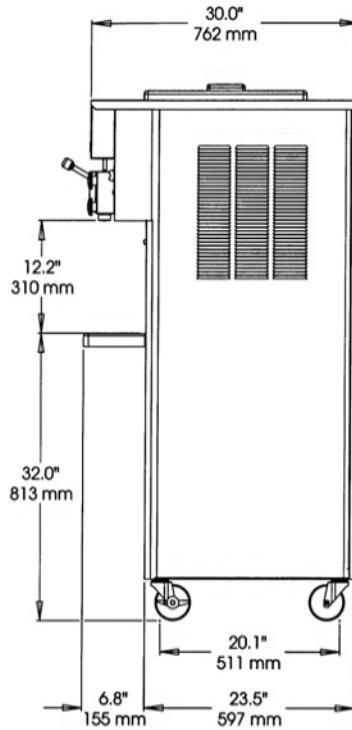
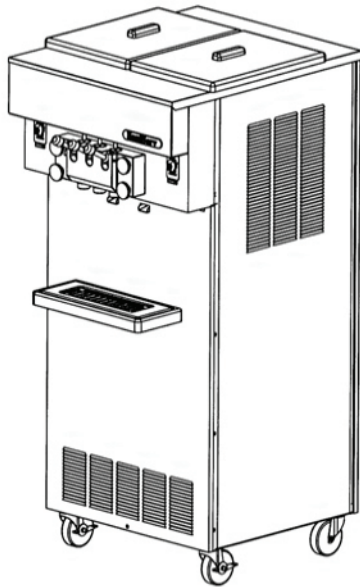


Made in USA

We reserve the right to change specifications and product designs without notice. Such revisions do not entitle the buyer to corresponding changes, improvements, additions or replacements for previously purchased equipment.

MODEL 521

Floor Model *Twist* Soft Serve/Yogurt Freezer



Minimum Wall Clearance
Both Sides and Back -
6 inches (152 mm)

ELECTRICAL				WIDTH	HEIGHT	DEPTH	WEIGHT	VOLUME
VOLTS	Hz	Ph.	Amps	INCHES (MM)	INCHES (MM)	INCHES (MM)	LBS. (Kg)	CU FT. (cu. m.)
208-230	60	1	20*	26 (660)	59.5 (1511)	30 (762)	603 (274)	
208-230	60	3	15*					
Shipping Specifications				36 (914)	65 (1650)	40 (1016)	675 (306)	54.8 (1.53)

* Two separate circuits required.

Specifications:

Cooling System:

Air or Water

Dasher and Compressor Motors:

(2) 1 HP Dashers
(2) 1 HP Compressors

Refrigerant Type:

R404A

Listings:

UL, cUL, NSF

Features:

Evaporator and Mix Reservoir

Capacity:

17 Quarts (16.15 liters) per side

Dasher:

Heavy-Duty Stainless Steel with low friction scraper blades.

Controls:

AccuFreeze solid-state control for accurate product consistency.

Solid State Audio/Visual Mix Out System with Compressor Lockout

Warranty:

Parts 1 year
Compressor 5 years
Evaporator 5 years

Options:

Tune Up Kit
Parts Tray
Syrup Rail
Water Cooled - 3/4" Garden Hose Fitting
Wash Out Kit - 3/8" Flare Fitting
Export Voltages