

## C0330 – 300 lb Cube Ice Machine

### Prodigy® Modular Cube Ice Maker



Shown on B530S bin with optional KLPSS legs.

### Features

Prodigy® cubers use **significantly less energy and water** than other cube ice machines, exceeding California and Federal energy efficiency regulations.

**AutoAlert™ indicator lights** constantly communicate about operating status and actually signal your staff when it's time to descale, sanitize, and more—making upkeep practically foolproof.

The patented **WaterSense adaptive purge control** delivers maximum reliability by reducing scale buildup for a longer time between cleanings.

**Preventative maintenance is simpler** than ever with easily-removed panels allowing clear access to internal components and a diagnostic code display insuring the right fix the first time. Reusable air filter is easily removable from the outside.

All external panel components are crafted for **optimal aesthetic appeal** through superior fit and finish.

An optional **advanced feature Smart-Board™** provides NAFEM data protocol and additional operational data that can be displayed on-screen or transmitted remotely, resulting in early alert and fast diagnosis of operating issues.

An optional **Vari-Smart™ ultrasonic ice level control** sensor allows you flexibility to program ice levels, for up to 7 days, keeping just the right amount of freshly made ice in the bin.

### 24 Hour Volume Production

Air Cooled	
70°F/21°C 50°F/10°C lb/kg	Air Water
350/159	

Water Cooled	
70°F/21°C 50°F/10°C lb/kg	Air Water
400/182	



### Modular Bin Options

Model Number	Dimensions W" x D" x H"	ARI Certified Bin Capacity lb/kg	Application Capacity lb/kg	Finish	Ship Weight lb/kg
B330P	30 x 34 x 30	270/123	344/156	Poly	130/59
B530S or P	30 x 34 x 44	420/191	536/244	SS or Poly	150/68



Bin: B330P



Bin: B530P

### Cube Ice



Small Cube 7/8" x 7/8" x 3/8" (2.22 x 2.22 x .95 cm)  
Medium Cube 7/8" x 7/8" x 7/8" (2.22 x 2.22 x 2.22 cm)

Common ice form, ideal for mixed drinks.

### Warranty

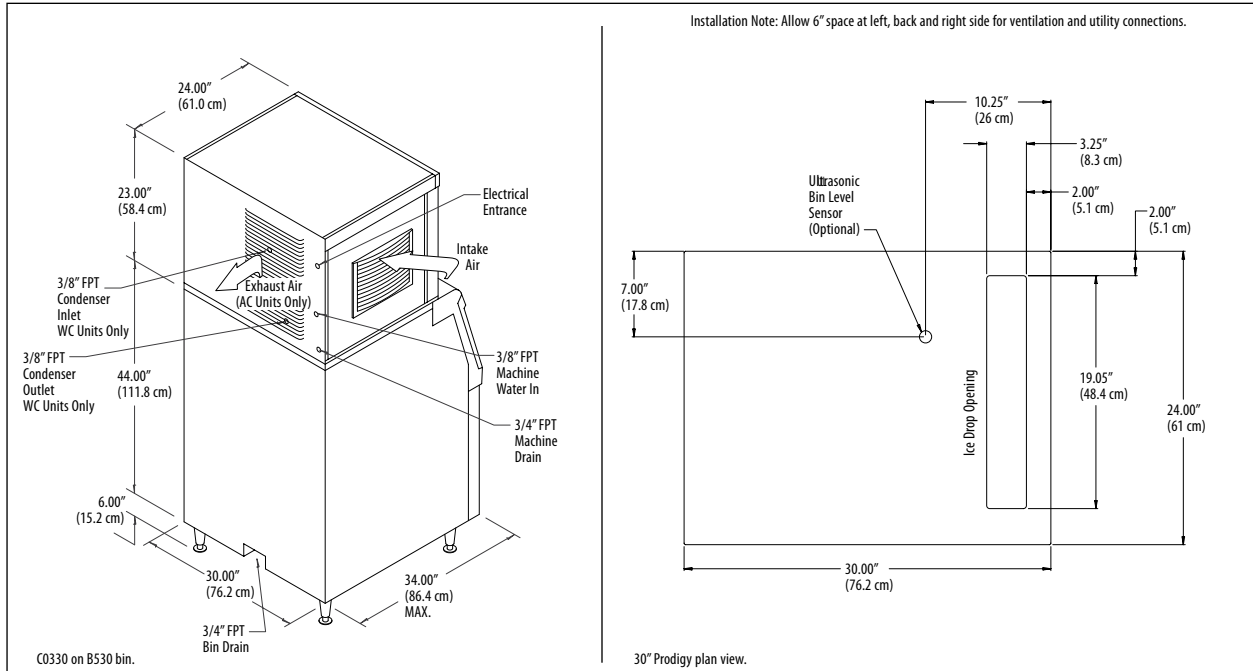
- 3 years parts and labor on all components.
- 5 years parts and labor on the evaporator.
- 5 years parts on the compressor and condenser.

Warranty valid in North, South & Central America. Contact factory for warranty in other regions.

# Scotsman®

The smart choice in ice.™

# C0330 – 300 lb Cube Ice Machine



## Specifications

Model Number* Cube Size: medium or small	Condenser Unit	Basic Electrical Volts/Hz/Phase	Max. Fuse Size or HACR Circuit Breaker (amps)	Circuit Wires	Min. Circuit Ampacity	Energy Consumption kWh/100 lb (45.4 kg) 90°F(32°C)/70°F(21°C)	Water Usage Gallons/100 lb (liters/45.4 kg)	
							Potable 90°F(32°C)/ 70°F(21°C)	Condenser 90°F(32°C)/ 70°F(21°C)
CAN C0330MA-1A	Air	115/60/1	15	2	12.7	6.0	19.0/72.0	-
	Water	115/60/1	15	2	11.9	5.2	18.5/70.2	163.0/618.0
US C0330SA-1A	Air	115/60/1	15	2	12.7	6.0	19.0/72.0	-
	Water	115/60/1	15	2	11.9	5.2	18.5/70.2	163.0/618.0

\* 208-230/60/1 Voltage - Substitute "-32" in place of "-1", i.e. C0330SA-32A. ■ = ENERGY STAR®

## All Models

Dimensions (W x D x H):  
Unit:  
30" x 24" x 23"  
(76.2 x 61.0 x 58.4 cm)

Shipping Carton:  
33.5" x 27.5" x 28"  
(85.1 x 69.9 x 71.1 cm)

Shipping Weight:  
160 lb / 73 kg

BTUs per hour:  
5,200

## Accessories

Model Number	Description
KVS	Vari-Smart™ Ice Level Control - Program ice bin levels to match ice needs.
KSB	Smart-Board™ Advanced Control - Use additional operational data for fast diagnosis.
KSB-N	Smart-Board™ Advanced Control with Network - Network capable.

\* Scotsman recommends all ice machines have water filtration. See Scotsman Sanitation Matrix for details.

## Operating Requirements

	Minimum	Maximum
Air Temperatures	50°F (10°C)	100°F (38°C)
Water Temperatures	40°F (4.4°C)	100°F (38°C)
Remote Cond. Temps	-20°F (-29°C)	120°F (49°C)
Water Pressures	20 PSIG (1.4 bar)	80 PSIG (5.5 bar)
Electrical Voltage	-10%	+10%

Specifications and design are subject to change without notice.

Scotsman Ice Systems  
775 Corporate Woods Parkway  
Vernon Hills, IL 60061

1-800-SCOTSMAN  
Fax: 847-913-9844  
E-mail: customer.service@scotsman-ice.com

www.scotsman-ice.com