

EH430 – 1400-2000 lb Cube Ice Machine

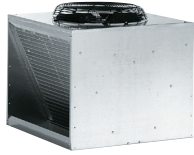
Prodigy® Eclipse® Remote Cooled Modular Cube Ice Maker



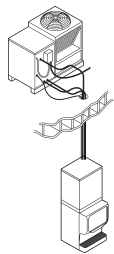
EH430 shown on beverage dispenser.



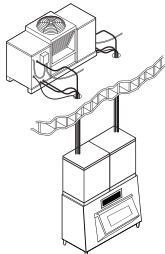
Compressor Unit



Remote Condenser



Eclipse System connected to single remote condenser.



Two Eclipse Systems connected to a dual remote condenser.

Features

Equipped with Prodigy® self-monitoring technology **AutoAlert™ indicator lights**, patented **WaterSense** adaptive purge control as well as Prodigy's superior cost-saving energy efficiency.

Eclipse® technology moves the compressor and condenser to the roof, moving noise and heat away from customers & workers, resulting in a quieter environment.

The small footprint and narrow profile offer the **ability to place the ice machine where ice is needed**, at the drive through window or in the dining room at a self-service beverage station.

Flexible design allows Eclipse® ice machines to be paired with a wide variety of dispensers or storage bins, supplying ice to any area of your operation.

Offers **quick and flexible installation** because it can be connected to either a single remote condenser, dual remote condenser or properly sized universal rack or multi-pass condenser system.

24 Hour Volume Production

| EH430 1400 lb | | | EH430 1800 lb | | | EH430 2000 lb | | |
|---------------------------------|--------------|--|---------------------------------|--------------|--|---------------------------------|--------------|--|
| 70°F/21°C 50°F/10°C lb/kg | Air Water | ARI 90°F/32°C 70°F/21°C lb/kg | 70°F/21°C 50°F/10°C lb/kg | Air Water | ARI 90°F/32°C 70°F/21°C lb/kg | 70°F/21°C 50°F/10°C lb/kg | Air Water | ARI 90°F/32°C 70°F/21°C lb/kg |
| 1520/691 | | 1200/545 | 1755/798 | | 1567/712 | 1884/856 | | 1767/803 |

Modular Dispenser & Bin Options

| Model Number* | Dimensions W" x D" x H" | ARI Certified Bin Capacity lb/kg | Application Capacity lb/kg | Finish | Ship Weight lb/kg |
|---------------|----------------------------|--|----------------------------------|-------------|-------------------------|
| ID250 | 30 x 30 x 40 | - | 250/114 | SS | 300/136 |
| B948S | 48 x 34 x 44 | 700/319 | 893/406 | SS | 220/100 |
| BH1100BB | 48 x 34 x 50 | 860/393 | 1100/499 | SS w/ GBB** | 280/127 |
| BH1100SS | 48 x 34 x 50 | 860/393 | 1100/499 | SS | 280/127 |
| BH1300BB | 60 x 34 x 50 | 1100/499 | 1400/635 | SS w/ GBB** | 310/140 |
| BH1300SS | 60 x 34 x 50 | 1100/499 | 1400/635 | SS | 310/140 |
| BH1600BB | 60 x 34 x 50 | 1100/499 | 1400/635 | SS w/ GBB** | 310/140 |
| BH1600SS | 60 x 34 x 50 | 1100/499 | 1400/635 | SS | 310/140 |

* See Scotsman Price List for Required Bin Tops.

** Stainless Steel with Galvanized Back & Bottom.



Cube Ice



Small Cube
7/8" x 7/8" x 3/8"
(2.22 x 2.22 x .95 cm)



Medium Cube
7/8" x 7/8" x 7/8"
(2.22 x 2.22 x 2.22 cm)

Common ice form, ideal for mixed drinks.

Warranty

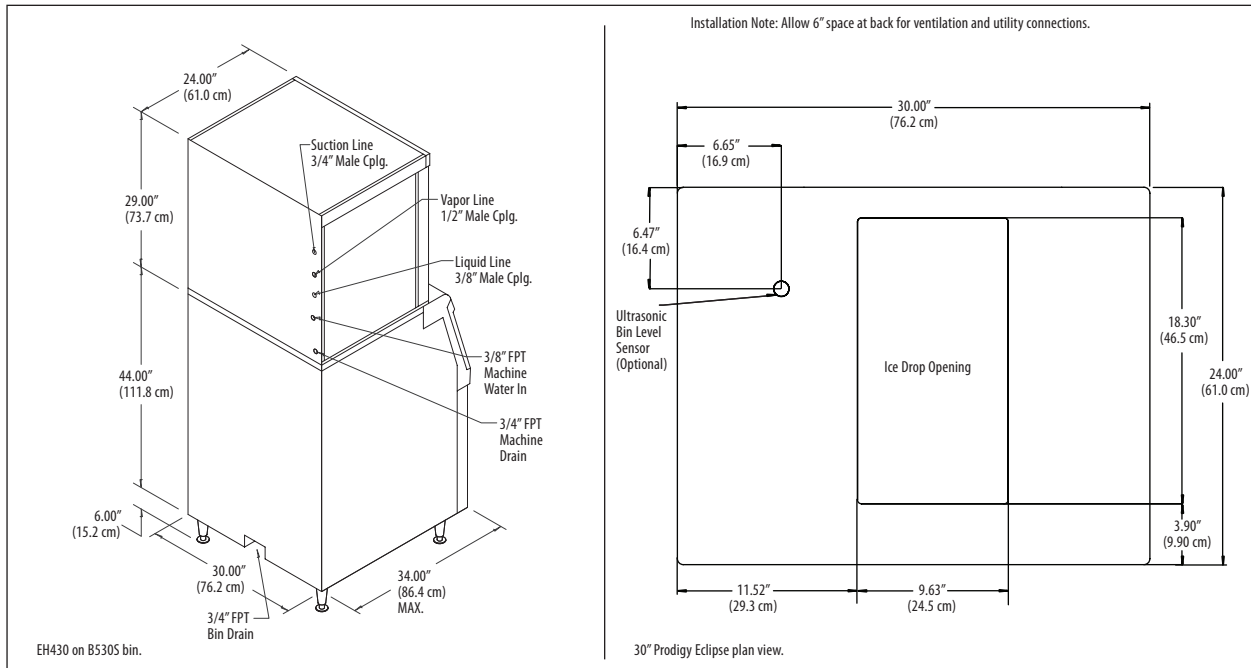
- 3 years parts and labor on all components.
- 5 years parts and labor on the evaporator.
- 5 years parts on the compressor and condenser.

Warranty valid in North, South & Central America. Contact factory for warranty in other regions.

Scotsman®

The smart choice in ice.™

EH430 – 1400-2000 lb Cube Ice Machine



Specifications

| Model Number | Compressor Unit | Basic Electrical Volts/Hz/Phase | Max. Fuse Size or HACR Circuit Breaker (amps) | Circuit Wires | Min. Circuit Ampacity | Energy Consumption kWh/100 lb (45.4 kg) 90°F(32°C)/70°F(21°C) | Water Usage Gallons/100 lb (liters/45.4 kg) | |
|--------------|-----------------|---------------------------------|---|---------------|-----------------------|---|---|---------------------------------|
| | | | | | | | Potable 90°F(32°C)/70°F(21°C) | Condenser 90°F(32°C)/70°F(21°C) |
| EH430SL-1A | - | 115/60/1 | 15 | 2 | Cord | - | - | - |
| EH430ML-1A | - | 115/60/1 | 15 | 2 | Cord | - | - | - |
| | C1410CP-32A | 208-230/60/1 | 30 | 2 | 16.5 | 4.7 | 18.5/70.1 | - |
| | C1800CP-32A** | 208-230/60/1 | 50 | 2 | 31.4 | 5.0 | 17.6/66.7 | - |
| | C2000CP-32A*** | 208-230/60/1 | 50 | 2 | 30.9 | 5.0 | 17.4/65.9 | - |
| | C1410CP-3A | 208-230/60/3 | 20 | 3 | 12.6 | 4.7 | 18.5/70.1 | - |
| | C1800CP-3A** | 208-230/60/3 | 30 | 3 | 19.0 | 5.0 | 17.6/66.7 | - |
| | C2000CP-3A*** | 208-230/60/3 | 30 | 3 | 21.0 | 5.0 | 17.4/65.9 | - |

*Use for EH430 1400 lb. **Use for EH430 1800 lb. ***Use for EH430 2000 lb. = ENERGY STAR®

All Models

Dimensions (W x D x H):
 EH430 Unit: 30" x 24" x 29"
 (76.2 x 61.0 x 73.7 cm)
 Shipping Carton: 33.5" x 27.5" x 34"
 (85.1 x 70.0 x 86.3 cm)
 Compressor Unit: 30" x 18" x 35"
 (76.2 x 45.7 x 88.9 cm)
 Shipping Carton: 33" x 21" x 38"
 (83.8 x 53.3 x 96.5 cm)
 Shipping Weight: EH430 185 lb. / 84 kg.
 C1410CP 225 lb. / 102 kg
 C1800CP 235 lb. / 107 kg
 C2000CP 245 lb. / 111 kg
 BTUs per hour: 20,000*/31,600**/35,300***

*Use for EH430 1400 lb. **Use for EH430 1800 lb. ***Use for EH430 2000 lb.

Accessories

| Model Number | Description |
|--------------|---|
| KVS | Vari-Smart™ Ice Level Control - Program ice bin levels to match ice needs. |
| KSB | Smart-Board™ Advanced Control - Use additional operational data for fast diagnosis. |
| KSB-N | Smart-Board™ Advanced Control with Network - Network capable. |
| ERC1086-32A | Remote Condenser for Eclipse 1000-1400 lb., 208-230/60/1 |
| ERC2086-32A | Remote Condenser for Eclipse 1800-2000 lb., 208-230/60/1 |
| ER2C1316-32A | Remote Condenser for Eclipse two 1400 lb., 208-230/60/1 |
| 3RTE20-EH | Line set, Precharged, R-404A, 20ft. |
| 3RTE35-EH | Line set, Precharged, R-404A, 35ft. |
| 3RTE50-EH | Line set, Precharged, R-404A, 50ft. |
| 3RTE75-EH | Line set, Precharged, R-404A, 75ft. |

Scotsman recommends all ice machines have water filtration. See Scotsman Sanitation Matrix for details.

Operating Requirements

| | Minimum | Maximum |
|--------------------|-------------------|-------------------|
| Air Temperatures | 50°F (10°C) | 100°F (38°C) |
| Water Temperatures | 40°F (4.4°C) | 100°F (38°C) |
| Remote Cond. Temps | -20°F (-29°C) | 120°F (49°C) |
| Water Pressures | 20 PSIG (1.4 bar) | 80 PSIG (5.5 bar) |
| Electrical Voltage | -5% | +10% |

Scotsman Ice Systems
 775 Corporate Woods Parkway
 Vernon Hills, IL 60061

1-800-SCOTSMAN
 Fax: 847-913-9844
 E-mail: customer.service@scotsman-ice.com

www.scotsman-ice.com