

# COLD FOOD HOLDERS BAR COMBOS, SOLUTION™ PUMPS

Models SB-2, SB-2 DI, SB-3, SB-3 DI, SB-4 & SB-4 DI

## WHAT DO YOU DISPENSE?

- ◊ **THIN** • fountain syrups • liqueur • hot or soy sauce
- **THICK** • ketchup • mustard • mayo • bbq sauce
- ◐◑ **PARTICULATES** • tartar sauce • Thousand Island



◊◊  
SB-2DI 79800



◊◊◊◊  
SB-4 DI 79830

## BID DESCRIPTION

Insulated serving bars are constructed of stainless steel exterior with a one-piece seamless plastic interior. Serving Bars can be cooled with ice, (1) Eutectic Ice Pack (94141) per jar or our deep fountain HOLDCOLD™ jars (not included).

Each Solution™ Bar combo comes complete with multiples of polypropylene fountain jars (82557) and polycarbonate PS-F pumps (81910).

## STANDARD FEATURES

- Durable stainless steel exterior with a brushed finish
- Polycarbonate pumps dispense a wide range of products from syrups to some relishes
- Pump parts are dishwasher safe and replaceable
- (3) discharge fittings to accommodate various food products
- Maximum stroke yields 1 oz (30 mL)
- Easy-to-adjust portion control in ¼ ounce (7 mL) increments

## INSULATED BAR COMBOS WITH PUMPS

Choose an insulated Serving Bar for countertop or drop-in use. Each come in (2), (3) or (4)-jar models. Polycarbonate Solution™ pumps and deep plastic fountain jars are included.

<u>Includes</u>	<u>Countertop</u>	<u>Drop-In</u>
(2) jars	SB-2 79790	SB-2 DI 79800
(3) jars	SB-3 79810	SB-3 DI 79820
(4) jars	SB-4 79830	SB-4 DI 79840

## ACCESSORY ITEMS

- Fountain Jar, Plastic, White, 7½" (19 cm) 82558
- Fountain Jar, Plastic, White, 10" (25.4 cm) 82557
- Fountain Jar, Plastic, Black, 7½" (19 cm) 83147
- Fountain Jar, Plastic, Black, 10" (25.4 cm) 83149
- Fountain Jar, Plastic, Orange, 7½" (19 cm) 83148
- Fountain Jar, Plastic, Orange, 10" (25.4 cm) 83156



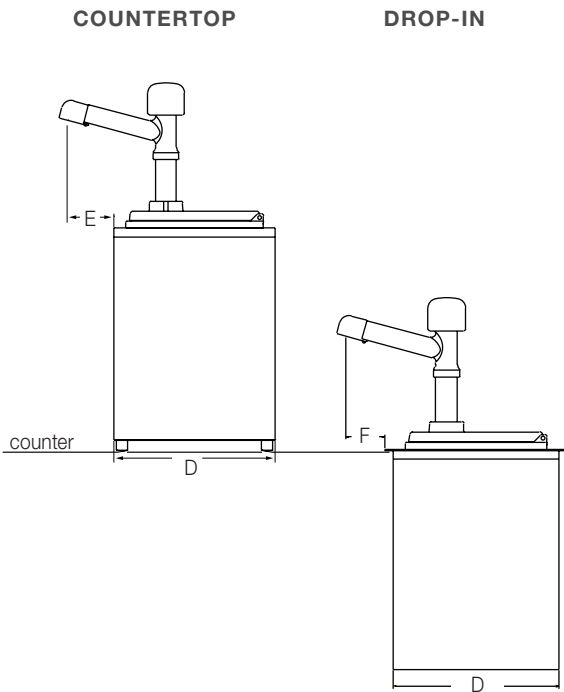
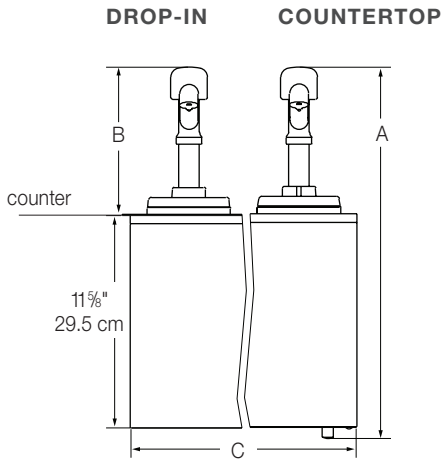
**2** YEAR  
WARRANTY

## TWO YEAR WARRANTY

Server Products equipment is backed by a two-year limited warranty against defects in materials and workmanship. For our complete warranty statement, see our website or contact us.

# COLD FOOD HOLDERS BAR COMBOS, SOLUTION™ PUMPS

Models SB-2, SB-2 DI, SB-3, SB-3 DI, SB-4 & SB-4 DI



Jar Capacity	3 1/2 qt (3.3 L)		
MODELS	(2) JAR	(3) JAR	(4) JAR
A-Height	20 5/16" 51.6 cm	20 5/16" 51.6 cm	20 5/16" 51.6 cm
B-Height (Drop-In)	8 1/8" 20.6 cm	8 1/8" 20.6 cm	8 1/8" 20.6 cm
C-Width	10 7/8" 27.6 cm	15 1/2" 39.4 cm	20 1/8" 51.1 cm
D-Depth	8 13/16" 22.4 cm	8 13/16" 22.4 cm	8 13/16" 22.4 cm
E-Spout (Depth)	2 1/2" 6.4 cm	2 1/2" 6.4 cm	2 1/2" 6.4 cm
E-Lid (Depth)	2 1/16" 5.2 cm	2 1/16" 5.2 cm	2 1/16" 5.2 cm
Cutout Size:			
SB-2 DI	11" x 8 7/8" (27.9 cm x 22.5 cm)		
SB-3 DI	15 5/8" x 8 7/8" (39.7 cm x 22.5 cm)		
SB-4 DI	20 1/4" x 8 7/8" (51.4 cm x 22.5 cm)		

FOB RICHFIELD, WISCONSIN 53076

## CAD LIBRARY

Individual CAD images can be downloaded free of charge from our website. Our complete collection of CAD files, along with more than 100 other manufacturers, can be purchased through Kochman Consultants, Ltd. at [kclcad.com](http://kclcad.com).