



S E R V E R

SERVE BETTER™

SWEETSTATION™

Models SWTS-324, SWTS-424, SWTS-314 & SWTS-414



SWTS-324 80103



2 YEAR WARRANTY

RELATED ITEMS

- Beverage Station, 24 oz InSweeten™ BS-ST 80105 - Combines the triple 24 oz InSweeten™ with EZ-Cream™ dairy dispenser for a complete beverage topping station
- Beverage Station, 14 oz InSweeten™ BS-ST 80106 - Combines the triple 14 oz InSweeten™ with EZ-Cream™ dairy dispenser for a complete beverage topping station

BID DESCRIPTION

The SweetStation™ system for holding and dispensing sweeteners is designed to increase coffee and tea speed of service with preset sweetener portions, equivalent to common portion packs. Lightweight, wall-mounted rack securely holds InSweeten™ dispensers in place for single-handed operation. InSweeten™ dispensers come in 24 oz or low-profile 14 oz capacities to neatly display and serve. Color-coded flavor decals and portion triggers make brand identification easy.

SweetStation™ Triple comes complete with triple dispenser rack, (4) flavor decals (Sugar, Splenda®, Sweet'n Low® and Equal®), (1) InSweeten™ dispenser with 2.8 gram white trigger (Sugar) and (2) InSweeten™ dispensers with 1 gram yellow (Splenda®), pink (Sweet'n Low®) & blue (Equal®) triggers. A 1 gram portion is equivalent to a standard packet of Splenda®, Sweet'n Low® and Equal®.

SweetStation™ Quad comes complete with quad dispenser rack, (4) flavor decals (Sugar, Splenda®, Sweet'n Low® and Equal®), (1) InSweeten™ dispenser with 2.8 gram white trigger (Sugar), (1) InSweeten™ dispenser with 1 gram yellow trigger (Splenda®), (1) InSweeten™ dispenser with 1 gram pink trigger (Sweet'n Low®) and (1) InSweeten™ dispenser with 1 gram blue trigger (Equal®).

STANDARD FEATURES

- InSweeten™ 24 oz and 14 oz hoppers are made of durable, clear polycarbonate to show off product for visual cue for refilling - BPA free & NSF listed
- Dispenser rack is constructed of durable stainless steel and designed to be wall-mounted
- Includes color-coded flavor decals and portion triggers for easy brand identification
- 24 oz dispensers hold (465) 1 gram or (206) 2.8 gram servings
- 14 oz dispensers hold (271) 1 gram or (120) 2.8 gram servings



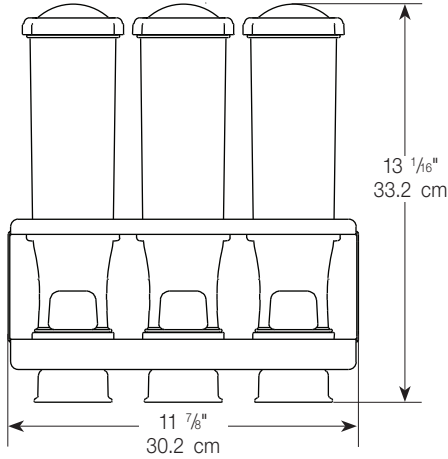
SWEETSTATION™

Models SWTS-324, SWTS-424, SWTS-314 & SWTS-414

SERVER

SERVE BETTER™

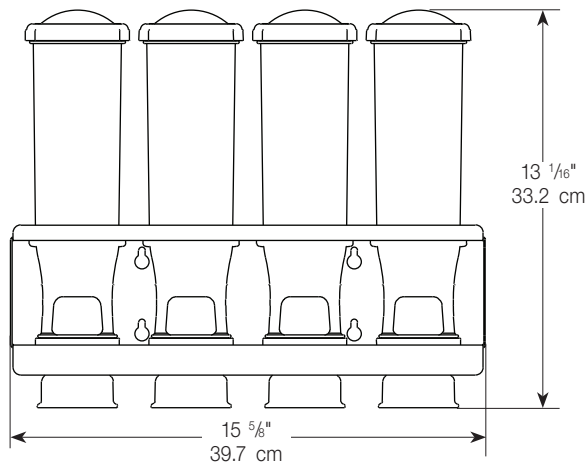
SWTS-324 80103



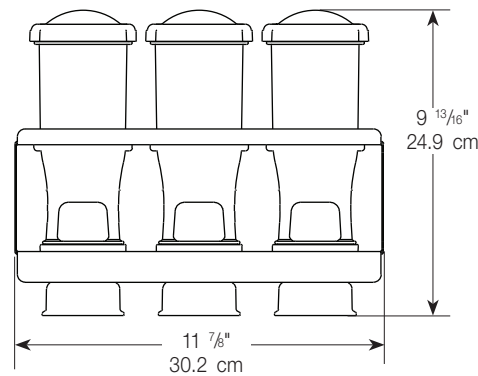
MODELS	SWTS-324 80103	SWTS-424 80101	SWTS-314 80104	SWTS-414 80102
Height	13 1/16" 33.2 cm	13 1/16" 33.2 cm	9 13/16" 24.9 cm	9 13/16" 24.9 cm
Width	11 7/8" 30.2 cm	15 5/8" 39.7 cm	11 7/8" 30.2 cm	15 5/8" 39.7 cm
Depth	5 1/4" 13.3 cm	5 1/4" 13.3 cm	5 1/4" 13.3 cm	5 1/4" 13.3 cm
Capacity	(3) 24 oz (3) 0.7 L	(4) 24 oz (4) 0.7 L	(3) 14 oz (3) 0.4 L	(4) 14 oz (4) 0.4 L
Weight	7 lb (3.2 kg)	8 lb (3.6 kg)	6 lb (2.7 kg)	7 lb (3.2 kg)

FOB RICHFIELD, WISCONSIN 53076

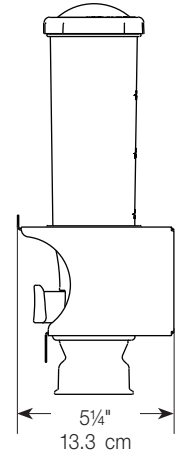
SWTS-424 80101



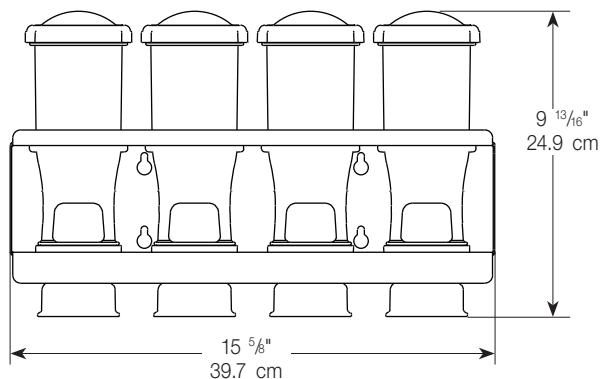
SWTS-314 80104



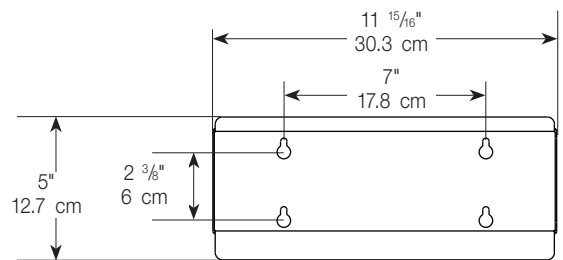
ALL MODELS



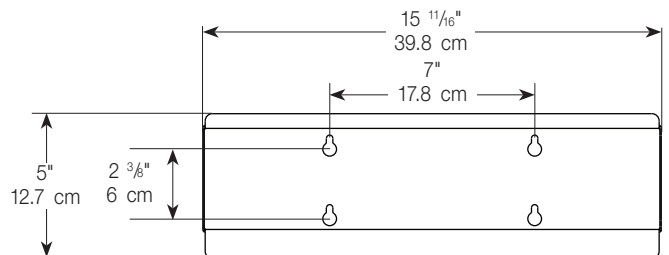
SWTS-414 80102



SWEETSTATION™ TRIPLE DISPENSER RACK



SWEETSTATION™ QUAD DISPENSER RACK



Server Products, Inc. | PO Box 98 | Richfield WI 53076 | 800.558.8722

262.628.5600 | F: 262.628.5110 | spsales@server-products.com | server-products.com

Server Products, Inc. reserves the right to modify specifications without obligation. Printed in USA

5.2014 Stock 02098