



FOOD WARMERS: FOOD SERVERS SYRUP SERVERS

Models SY 1.5 & SY



BID DESCRIPTION

The Syrup Warmer/Server is constructed of stainless steel with a brushed #4 finish. Traditional faucet style spigot is black plastic. The compact design takes up a minimal amount of countertop space. Capacity is 1½ gallons (5.7 L). Also available in a 3 gallon (11.3 L) model SY 84190.

An adjustable thermostat controls a 350 watt heating element precalibrated at 140° F (60° C). Thermostat lock prevents accidental changes. Power is controlled with a lighted ON/OFF rocker switch.

STANDARD FEATURES

- All stainless steel construction for durability
- Holds 1½ gallons (5.7 L) in a compact countertop design
- Precalibrated thermostat for accurate heat control
- Adjustable thermostat keeps syrup hot and ready to serve all day—great for hot cider too!
- Thermostat lock prevents accidental changes

TWO YEAR WARRANTY

Server Products equipment is backed by a two-year limited warranty against defects in materials and workmanship. For a copy of our complete warranty statement, please refer to server-products.com.

SY 1.5 85480



US LISTED

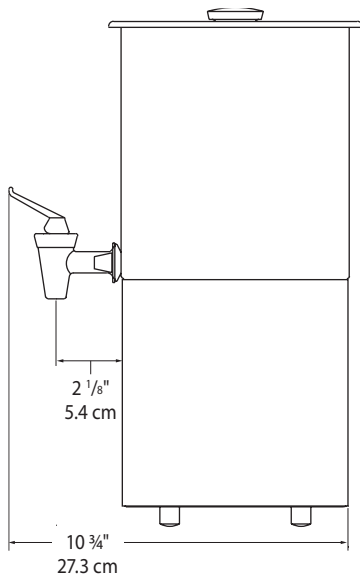
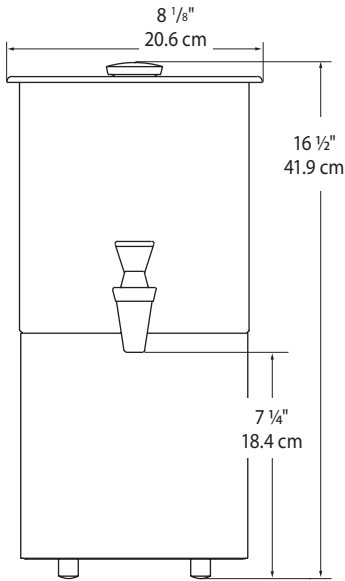


2 YEAR
WARRANTY

FOOD WARMERS: FOOD SERVERS SYRUP SERVERS

Models SY 1.5 & SY

SYRUP SERVER
SY 85480



MODELS	SY 1.5 85480	SY 84190
Capacity	1 1/2 gal (5.7 L)	3 gal (11.3 L)
Height	16 1/2" 41.9 cm	19 5/16" 49.1 cm
Width	8 1/8" 20.6 cm	9 7/8" 25.1 cm
Depth	10 3/4" 27.3 cm	12 5/8" 32.1 cm
Electrical	120V, 60Hz, 350W, 2.9A, 72" (183 cm) cord set NEMA 5-15P, 15A, 125V Plug	120V, 60Hz, 350W, 2.9A, 72" (183 cm) cord set NEMA 5-15P, 15A, 125V Plug
Weight	8 lb 3.6 kg	10 lb 4.5 kg

FOB RICHFIELD, WISCONSIN 53076

CAD LIBRARY

Individual CAD images can be downloaded from our website. We are also a member of The KCL CADalog with more than 100 other manufacturers. Our complete collection of CAD files can be purchased through Kochman Consultants, Ltd. at kclcad.com.