

Product Specifications

Non-Refrigerated Self-Service Case 32"D



MODEL SHOWN: B4732D

Lengths include end panels

- B3632D 36-5/8"L x 32-1/4"D x 82-1/2"H
- B4732D 47-5/8"L x 32-1/4"D x 82-1/2"H
- B5932D 59-5/8"L x 32-1/4"D x 82-1/2"H
- B7132D 71-5/8"L x 32-1/4"D x 82-1/2"H
- B8832D 88-3/8"L x 32-1/4"D x 82-1/2"H

STANDARD FEATURES

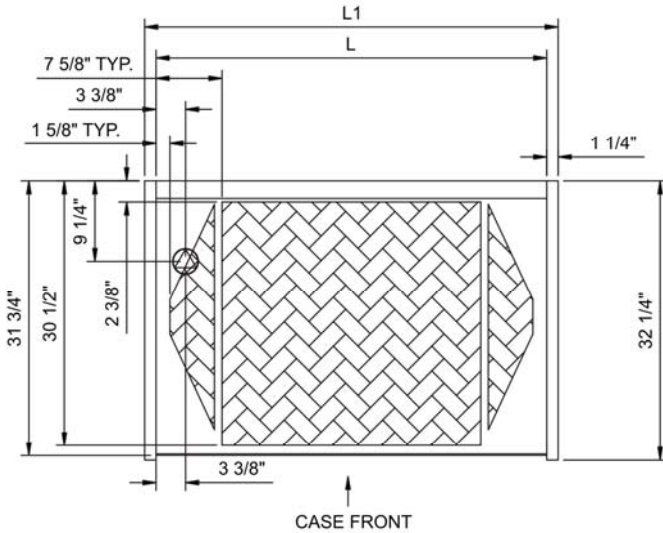
- Flat upper front panel & header
- One year parts & labor warranty
- Shelving removable and adjustable on 1" centers
- Solid back panel, black
- T-8 top light

Features	Standard	Options
EXTERIOR COLOR	<input type="checkbox"/> Laminated (non-premium) Confirm pattern/grain direction	<input type="checkbox"/> Laminated (premium) Confirm pattern/grain direction <input type="checkbox"/> Stainless steel (includes lower front panel)
INTERIOR COLOR	<input type="checkbox"/> Black	<input type="checkbox"/> Stainless steel
LOWER FRONT PANEL COLOR	<input type="checkbox"/> Painted - Black	<input type="checkbox"/> Stainless steel (w/stainless ext. only)
BASE	<input type="checkbox"/> Casters w/ levelers	<input type="checkbox"/> Levelers (only) <input type="checkbox"/> Seismic levelers (Q4695)
END PANEL LEFT	<input type="checkbox"/> Full end panel w/mirror interior (metal edge matches interior color)	<input type="checkbox"/> Cutaway end panel (metal edge matches interior color) <input type="checkbox"/> No end panel (for same case to case connect)
END PANEL RIGHT	<input type="checkbox"/> Full end panel w/mirror interior (metal edge matches interior color)	<input type="checkbox"/> Cutaway end panel (metal edge matches interior color) <input type="checkbox"/> No end panel (for same case to case connect)
SHELVING	<input type="checkbox"/> Metal shelves, non-lighted	<input type="checkbox"/> Metal shelves, lighted (LED) <input type="checkbox"/> Metal shelves, lighted (T-8)
ELECTRICAL CONNECT	<input type="checkbox"/> 12" straight blade power cord	<input type="checkbox"/> 12" locking power cord
MISCELLANEOUS		<input type="checkbox"/> Price tag moulding (matches interior color) <input type="checkbox"/> Roll-down security cover, locking (Requires two end panels (full or cutaway) per case) <input type="checkbox"/> Second year parts & labor warranty

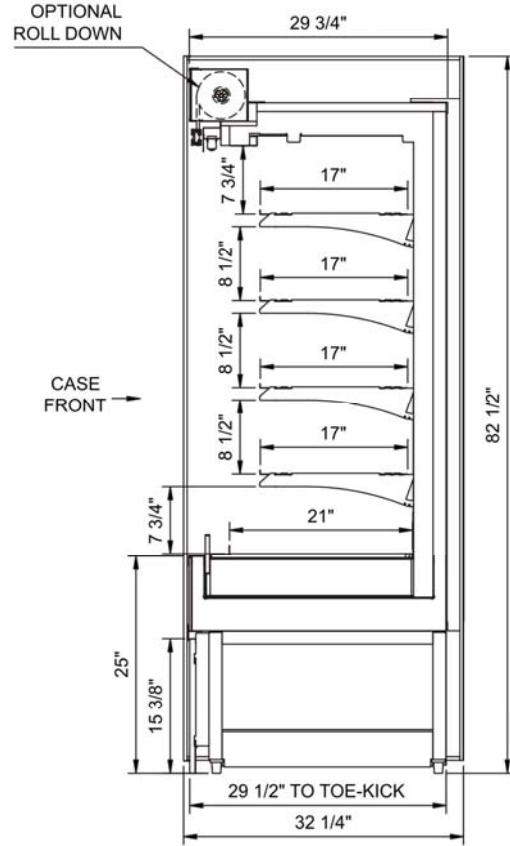
Product Specifications

Intended Environment: Type I - Designed to operate in ambient conditions of 75°F with 55% relative humidity unless noted otherwise in system information below.	
Zone	Intended Product To Be Displayed
All	Packaged non-refrigerated products
Integrated Prod Temp ° F	
Ambient	

PLAN VIEW



SIDE VIEW



NOTE: ALL DIMENSIONS APPROXIMATE

- ELECTRICAL JUNCTION BOX (SUPPLIED WITH 6" LEADS OR POWER CORD).
- REMOTE FLOOR SINK & UTILITIES ACCESS AREA.
- LOCATION OF DRAIN TUBE FOR REMOTE REF. ONLY (SUPPLIED WITH 3/4" OR 1 1/2" PVC TUBE).
- SELF-CONTAINED CASE SERVICE ACCESS AREA.
- REFRIGERATION LINE CONNECTION.
- DRY CASE SERVICE ACCESS AREA.

Model Technical Specifications

Model	L"	L1"	L2"	System Circuit Volts	Phs	Freq	Amps ***	Watts	Wires	NEMA Plug	SST	BTUH	Ship Wt		
B3632D	N/A	36.63	.00	Ambient	Circuit #1	110-120	1	60	0.81	85	2+G	5-15P or L5-15P	N/A	N/A	700
B4732D	N/A	47.63	.00	Ambient	Circuit #1	110-120	1	60	1.18	125	2+G	Leads Single	N/A	N/A	800
B5932D	N/A	59.63	.00	Ambient	Circuit #1	110-120	1	60	1.52	160	2+G	5-15P or L5-15P	N/A	N/A	950
B7132D	N/A	71.63	.00	Ambient	Circuit #1	110-120	1	60	1.68	200	2+G	5-15P or L5-15P	N/A	N/A	1,100
B8832D	N/A	88.38	.00	Ambient	Circuit #1	110-120	1	60	1.94	250	2+G	5-15P or L5-15P	N/A	N/A	1,200

*** Does not include electric defrost on freezer models.

Important Notes:
1) Units are supplied with levelers which must be adjusted during installation to ensure the unit is level and plumb.

Regulatory Approvals:	
All Models	ETL Listed to UL 65 ETL Sanitation to NSF 2

