

## Product Specifications

### Combination Convertible Service Above Refrigerated Self-Service Case



MODEL SHOWN: HMBC4

NOTE: NON-DIVIDED UPPER DISPLAY AREA - HMBC2 & HMBC3  
 DIVIDED UPPER DISPLAY AREA - HMBC4, HMBC5 & HMBC6

	Lengths include end panels
<input type="checkbox"/> HMBC2	26-3/4"L x 34-1/8"D x 56-1/4"H
<input type="checkbox"/> HMBC3	38-3/4"L x 34-1/8"D x 56-1/4"H
<input type="checkbox"/> HMBC4	50-3/4"L x 34-1/8"D x 56-1/4"H
<input type="checkbox"/> HMBC5	62-5/8"L x 34-1/8"D x 56-1/4"H
<input type="checkbox"/> HMBC6	75-1/8"L x 34-1/8"D x 56-1/4"H

### STANDARD FEATURES

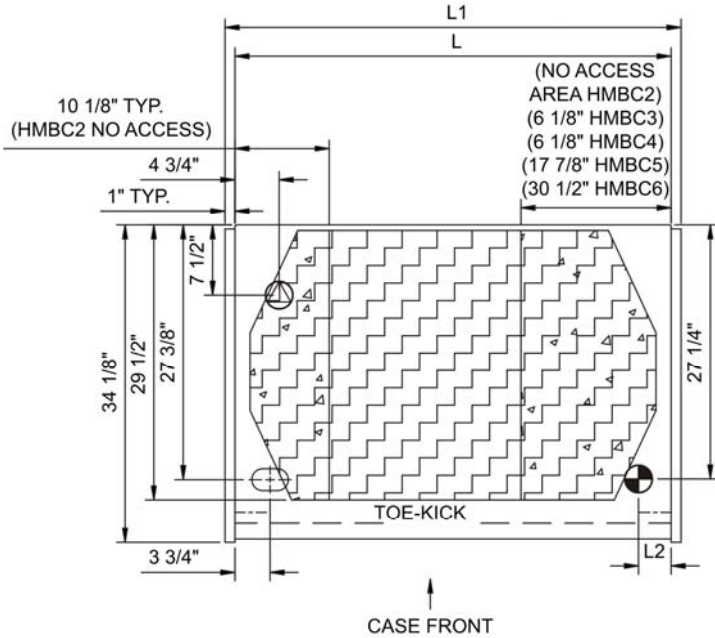
- Breeze™ w/EnergyWise s/c refrigeration
- Clear glass shelf, lighted (T-8) in upper display
- Compressor air rear intake, front discharge. Toe kick cannot be blocked
- Condensate pan (self-contained refig. only)
- Convertible baffle in upper display
- Curved double pane, lift-up front glass w/o lock
- Cutaway end panel
- Flat front panel
- Integrated average product temperature of 40°F or less
- One year parts & labor; 5 year compressor warranty
- Rear sliding doors (26" model swinging)
- T-8 top & shelf lights

Features	Standard	Options
<b>EXTERIOR COLOR</b>	<input type="checkbox"/> Laminated (non-premium) Confirm pattern/grain direction	<input type="checkbox"/> Laminated (premium) Confirm pattern/grain direction <input type="checkbox"/> Stainless steel (includes rear of case)
<b>INTERIOR COLOR</b>	<input type="checkbox"/> Black	<input type="checkbox"/> Stainless steel <input type="checkbox"/> White
<b>REAR EXTERIOR COLOR</b>	<input type="checkbox"/> Painted - White	<input type="checkbox"/> Painted - Black <input type="checkbox"/> Stainless steel (w/stainless ext. only)
<b>TRIM COLOR</b>	<input type="checkbox"/> Black	<input type="checkbox"/> Silver
<b>BASE</b>	<input type="checkbox"/> Levelers	<input type="checkbox"/> 6"H legs <input type="checkbox"/> Casters (n/a with remote)
<b>LOWER REAR</b>	<input type="checkbox"/> Solid back panel	<input type="checkbox"/> Rear sliding doors w/o lock (26" model swinging)
<b>UPPER REAR</b>	<input type="checkbox"/> Clear glass rear sliding doors w/o lock (26" model swinging) (specify LH or RH hinge)	<input type="checkbox"/> Reflective glass rear sliding doors w/o lock (26" model swinging) (specify LH or RH hinge)
<b>ELECTRICAL CONNECT</b>	<input type="checkbox"/> 6' straight blade power cord (self-cont.)	<input type="checkbox"/> 6' locking power cord (self-cont.) <input type="checkbox"/> Electrical leads (remote)
<b>REFRIGERATION</b>	<input type="checkbox"/> Breeze™ w/EnergyWise s/c refrigeration	<input type="checkbox"/> Note: Remote doesn't incl Conds unit. Floor drain reqd. <input type="checkbox"/> Remote w/thermostat, solenoid & TXV
<b>MISCELLANEOUS</b>		<input type="checkbox"/> Additional shelf for upper display, T-8 lighted <input type="checkbox"/> LED lights <input type="checkbox"/> Lower rear door lock <input type="checkbox"/> Second year parts & labor warranty (excludes compressor) <input type="checkbox"/> Upper rear door lock
<b>ACCESSORIES</b>		<input type="checkbox"/> 2"H Full depth display riser(s) <input type="checkbox"/> 4"H Full depth display riser(s) <input type="checkbox"/> Bottle slide, gravity feed <input type="checkbox"/> Clean Sweep® coil cleaner (n/a w/remote) <input type="checkbox"/> Night curtain, retractable, non-locking <input type="checkbox"/> Rear wrapping board (n/a w/lower rear doors) <input type="checkbox"/> Removable wire security cover, locking (for lower display, secures upper/lower)

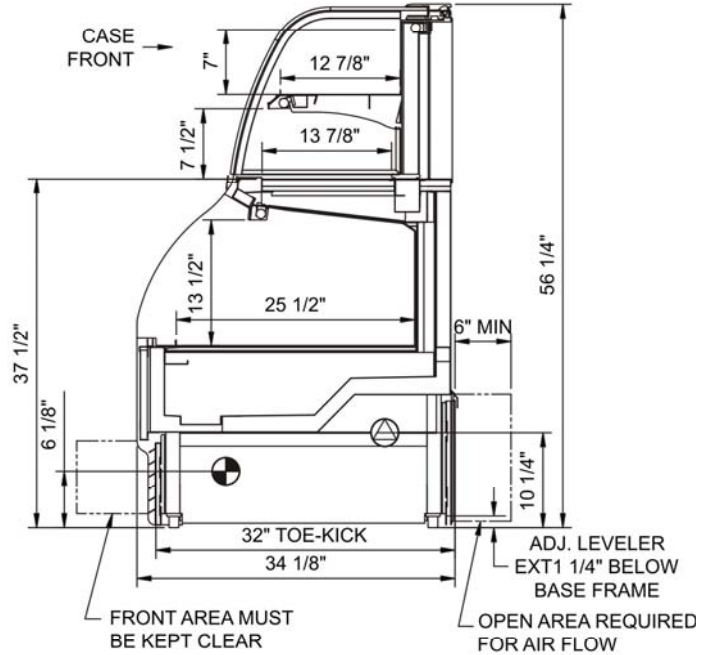
## Product Specifications

<b>Intended Environment:</b> Type I - Designed to operate in ambient conditions of 75°F with 55% relative humidity unless noted otherwise in system information below.	
<b>Zone</b>	<b>Integrated Prod Temp ° F</b>
All	40

PLAN VIEW



SIDE VIEW



NOTE: ALL DIMENSIONS APPROXIMATE

⊕ ELECTRICAL JUNCTION BOX (SUPPLIED WITH 6" LEADS OR POWER CORD).  
 ● LOCATION OF DRAIN TUBE FOR REMOTE REF. ONLY (SUPPLIED WITH 3/4" OR 1 1/2" PVC TUBE).

⊕ REFRIGERATION LINE CONNECTION.  
 ⊕ REMOTE FLOOR SINK & UTILITIES ACCESS AREA.

⊕ SELF-CONTAINED CASE SERVICE ACCESS AREA.  
 ⊕ DRY CASE SERVICE ACCESS AREA.

Model Technical Specifications

Model	L"	L1"	L2"	System Circuit Volts		Phs	Freq	Amps ***	Watts	Wires	NEMA Plug	SST	BTUH	Ship Wt	Frt Cls	
HMBC2	N/A	26.75	3.50	Remote(Type I)	Circuit #1	110-120	1	60	1.66	163	2+G	Leads Multiple	20.0	2,900	N/A	110
				Self-Contained	Circuit #1	110-120	1	60	14.90	1,414	2+G	5-20P or L5-20P	N/A	N/A		
HMBC3	N/A	38.75	3.50	Remote(Type I)	Circuit #1	110-120	1	60	1.38	137	2+G	Leads Multiple	20.0	4,750	N/A	110
				Self-Contained	Circuit #1	110-120	1	60	15.80	1,501	2+G	5-20P or L5-20P	N/A	N/A		
HMBC4	N/A	50.75	3.50	Remote(Type I)	Circuit #1	110-120	1	60	3.56	298	2+G	Leads Multiple	20.0	6,100	950	110
				Self-Contained	Circuit #1	110/230V	1	60	10.70	1,868	3+G	14-20P or L14-20P	N/A	N/A		
HMBC5	N/A	62.63	3.50	Remote(Type I)	Circuit #1	110-120	1	60	4.00	280	2+G	Leads Multiple	20.0	7,300	1,200	110
				Self-Contained	Circuit #1	110/230V	1	60	12.00	2,300	3+G	14-20P or L14-20P	N/A	N/A		
HMBC6	N/A	75.13	3.50	Remote(Type I)	Circuit #1	110-120	1	60	4.30	413	2+G	Leads Multiple	20.0	8,000	1,250	110
				Self-Contained	Circuit #1	110/230V	1	60	13.70	2,242	3+G	14-20P or L14-20P	N/A	N/A		

\*\*\* Does not include electric defrost on freezer models.

Important Notes:

- 1) ELECTRICAL NOTE: If GFCI is required, a GFCI breaker MUST be used in lieu of a GFCI receptacle
- 2) 43" Minimum door entry clearance required (without shipping skid).

Regulatory Approvals:

All Models	Accordance with AHRI Std 1200 ETL Listed to UL 471 ETL Listed to CAN/CSA 22.2 No. 120 ETL Sanitation to NSF 7
------------	--



In Accordance with  
**AHRI Std 1200**

**DOE 2012**  
 Energy Efficiency  
 Compliant