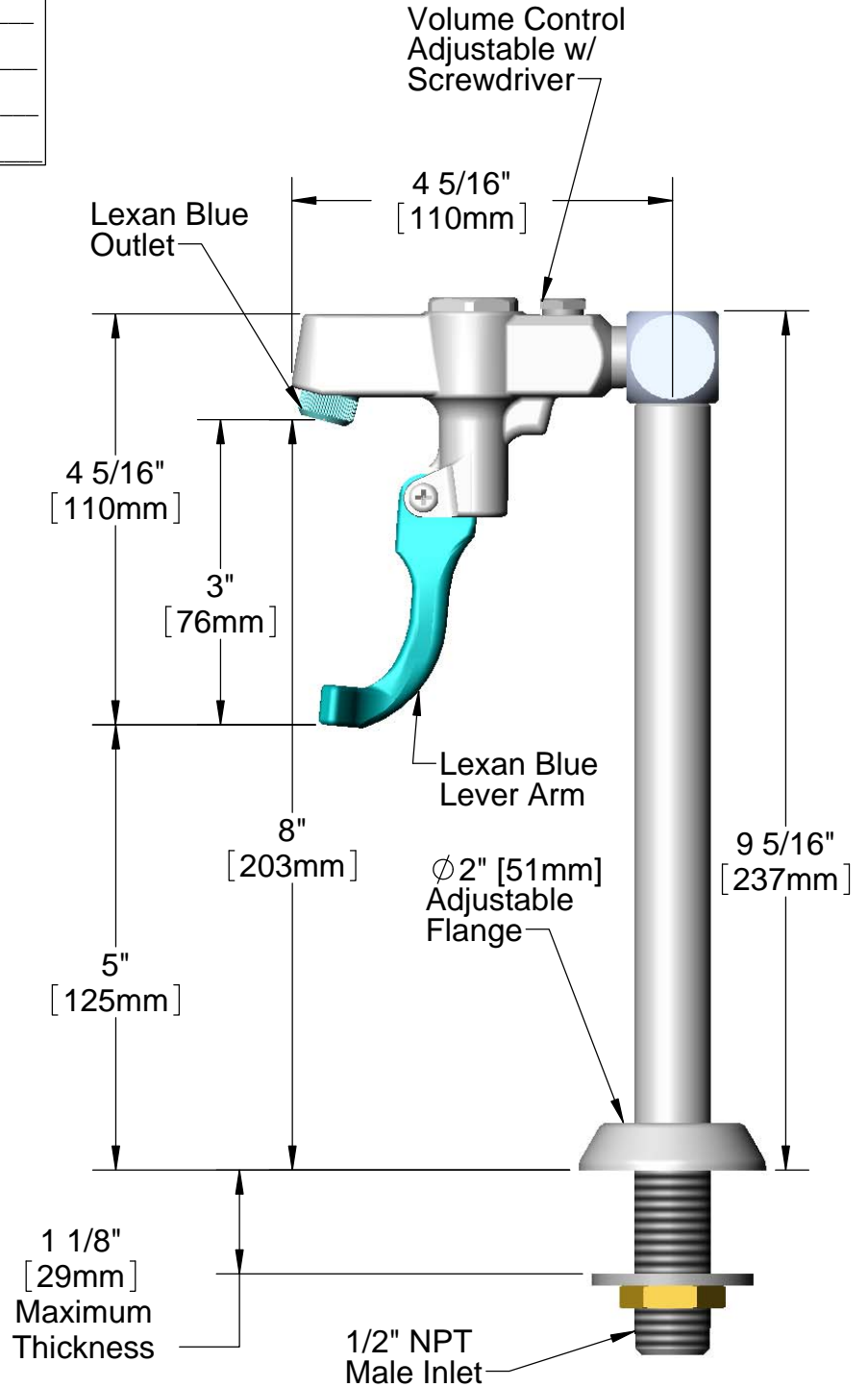


This Space for Architect/Engineer Approval

Job Name _____ Date _____
 Model Specified _____ Quantity _____
 Customer/Wholesaler _____
 Contractor _____
 Architect/Engineer _____



TOP VIEW



| | | | | | |
|-------------------------------|-------------------------|---------------------|---------------------|-----------------------|------------------------|
| Model Number 5GF-8P | Date 06/11/12 | Scale 1:2 | Drawn JRM | Checked KJG | Approved JHB |
|-------------------------------|-------------------------|---------------------|---------------------|-----------------------|------------------------|



Product Specifications:

Pedestal Type Glass Filler, Push Back Design, 1/2" NPT Male Shank, Adjustable Flange, Blue Self-Closing Lexan Arm

equip Foodservice Accessories
 2 Saddleback Cove, P.O. Box 1088
 Travelers Rest, South Carolina 29690
 Phone: 800.891.4808 Fax: 800.868.0084