



T&S BRASS AND BRONZE WORKS, INC.

2 Saddleback Cove / P.O. Box 1088
Travelers Rest, SC 29690



REG. #A2601
ISO #9001

Model No.
B-0199-07-N05

Item No.

Travelers Rest, SC: 800-476-4103 Simi Valley, CA: 800-423-0150 Fax: 864-834-3518 www.tsbrass.com

This Space for Architect/Engineer Approval

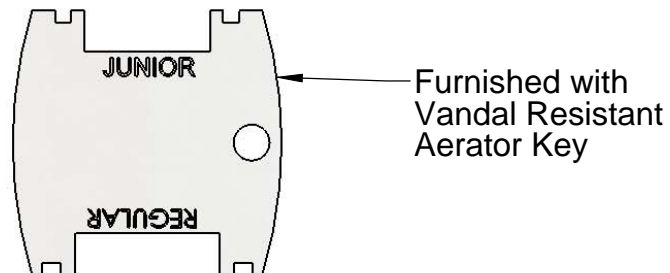
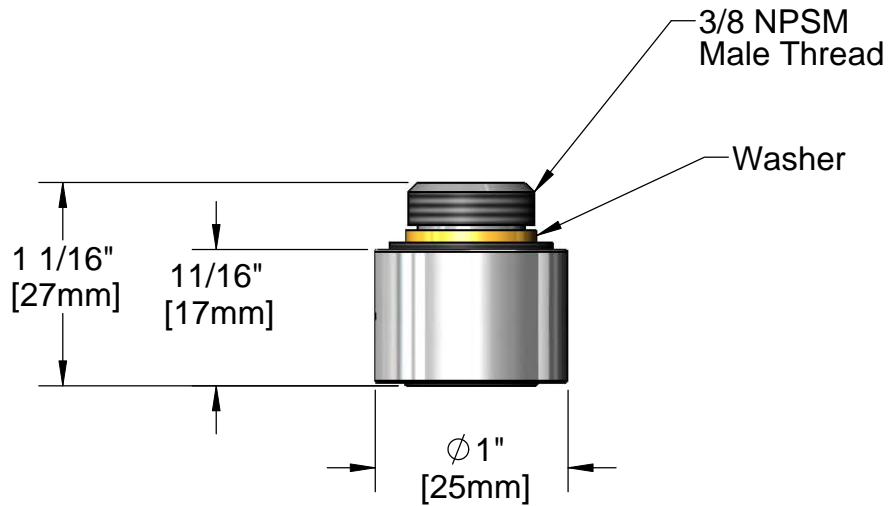
Job Name _____ Date _____

Model Specified _____ Quantity _____

Customer/Wholesaler _____

Contractor _____

Architect/Engineer _____



Product Specifications:

**Vandal Resistant 0.5 GPM Non-Aerated Spray Device
w/ 3/8" NPSM Male Thread & Installation Key**

| | | |
|----------------------|-----------------------|--------------------------|
| Drawn DMH | Checked GEF | Approved JHB |
| Scale: 1:1 | | Date: 07/01/10 |