



# T&S BRASS AND BRONZE WORKS, INC.

2 Saddleback Cove / P.O. Box 1088  
Travelers Rest, SC 29690



REG. #A2601  
ISO #9001

Model No.

**B-0199-29VR**

Item No.

Travelers Rest, SC: 800-476-4103 Simi Valley, CA: 800-423-0150 Fax: 864-834-3518 www.tsbrass.com

This Space for Architect/Engineer Approval

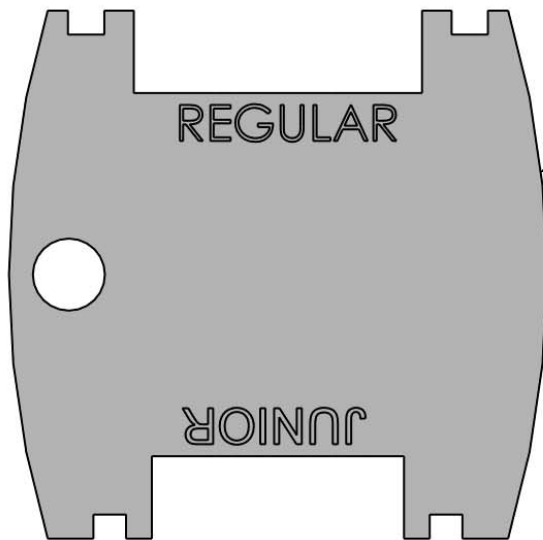
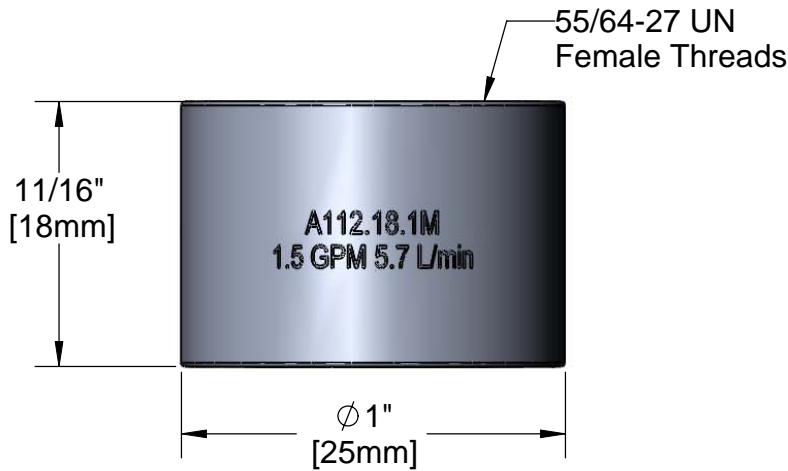
Job Name \_\_\_\_\_ Date \_\_\_\_\_

Model Specified \_\_\_\_\_ Quantity \_\_\_\_\_

Customer/Wholesaler \_\_\_\_\_

Contractor \_\_\_\_\_

Architect/Engineer \_\_\_\_\_



Furnished with Vandal Resistant Key

Product Specifications:

Laminar Flow Device, 55/64-27 Female Threads, Vandal Resistant, 1.5 GPM w/ VR Key & No T&S Logo

Drawn  
**JRM**

Checked  
**ARH**

Approved  
**JHB**

Scale:

**2:1**

Date:

**01/27/09**