



# T&S BRASS AND BRONZE WORKS, INC.

2 Saddleback Cove / P.O. Box 1088  
Travelers Rest, SC 29690

Model No.

**B-1146-01-WS**

Item No.

Travelers Rest, SC: 800-476-4103 • Simi Valley, CA: 800-423-0150 • Fax: 864-834-3518 • www.tsbrass.com

This Space for Architect/Engineer Approval

Job Name \_\_\_\_\_ Date \_\_\_\_\_

Model Specified \_\_\_\_\_ Quantity \_\_\_\_\_

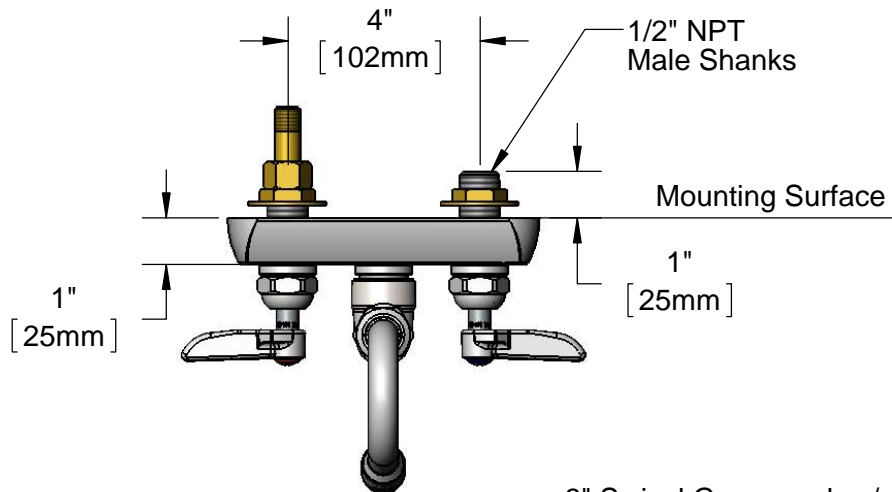
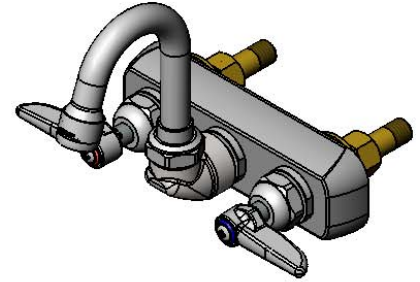
Customer/Wholesaler \_\_\_\_\_

Contractor \_\_\_\_\_

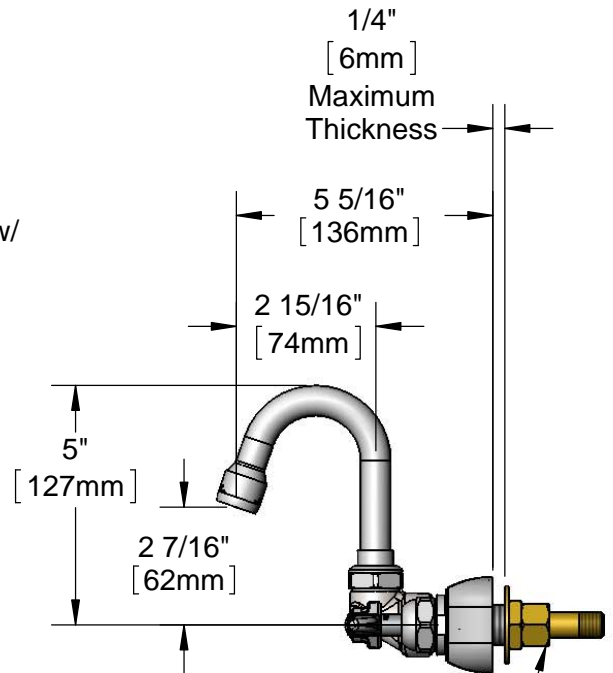
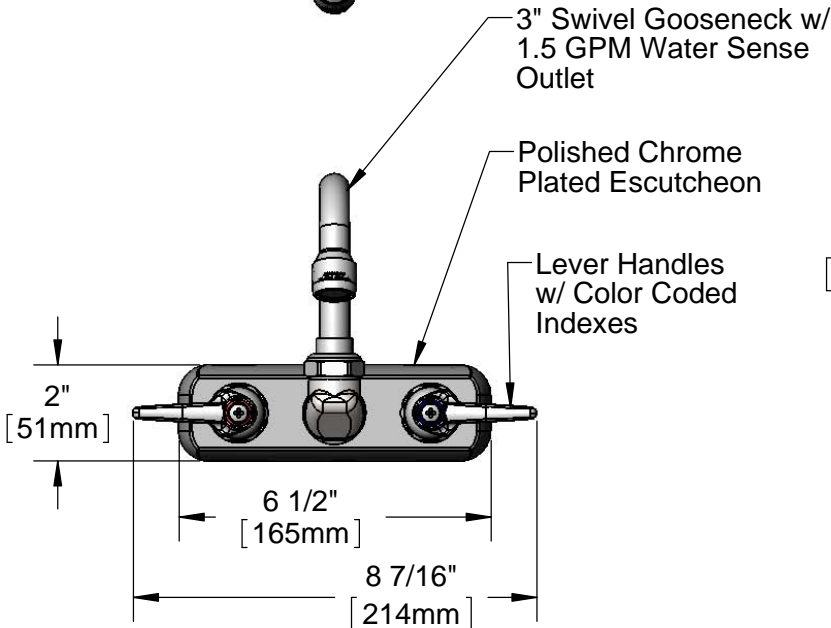
Architect/Engineer \_\_\_\_\_



**ADA Compliant**



B-1100-K  
Elbow Kit w/  
(2) 1/2" NPT Male  
90° Elbows  
(Sold Separately)



(2) 150A  
Optional Tailpieces  
& Nuts for 1/4" NPT  
Connections (Included)

Rough-In Requirement:  
(2) Ø 1" [25mm] Mounting Holes

Product Specifications:

4" Wall Mount Workboard Faucet w/ Lever Handles, Swivel Gooseneck w/ 1.5 GPM Water Sense Outlet & 1/2" NPT Male Shanks

Drawn <b>KJG</b>	Checked <b>JRM</b>	Approved <b>JHB</b>
Scale: <b>1:4</b>		Date: <b>08/27/12</b>



# T&S BRASS AND BRONZE WORKS, INC.

2 Saddleback Cove / P.O. Box 1088  
Travelers Rest, SC 29690

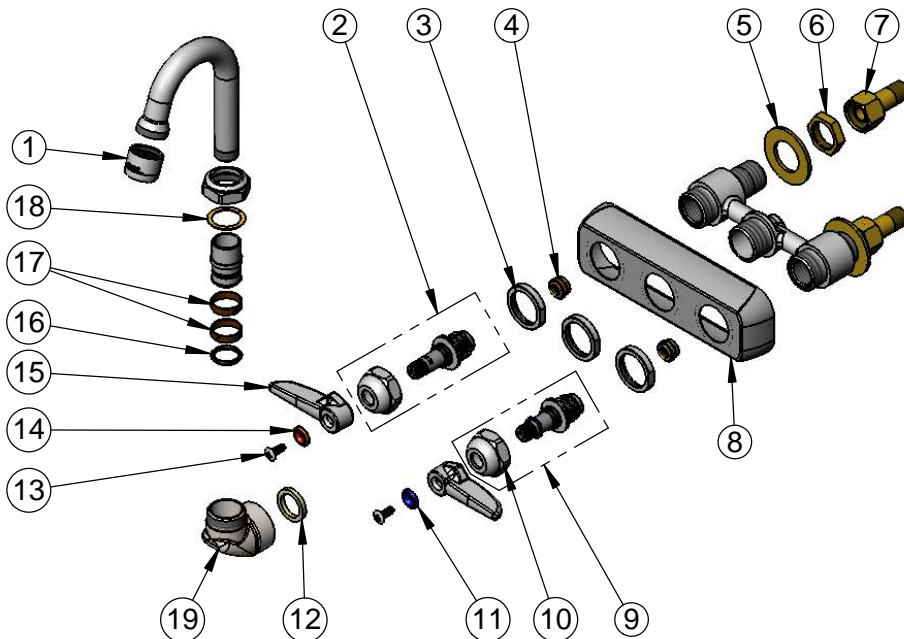
Model No.

**B-1146-01-WS**

Item No.

Travelers Rest, SC: 800-476-4103 • Simi Valley, CA: 800-423-0150 • Fax: 864-834-3518 • www.tsbrass.com

ITEM NO.	SALES NO.	DESCRIPTION
1	B-0199-01-WS	1.5 GPM Aerator, 55/64-27 Female
2	009754-25	B-1100 Spindle Assembly, LTC
3	000712-25	Escutcheon Lock Nut
4	000763-20	Seat
5	000999-45	Brass Lock Washer
6	002954-45	Shank Lock Nut
7	150A	Bag of (1) Nut & (1) Tailpiece
8	001258-40	Escutcheon
9	009753-25	B-1100 Spindle Assembly, RTC
10	009749-25	Bonnet Nut
11	001660-45	Blue Index-CW
12	001017-45	Washer
13	000922-45	Lever Handle Screw
14	001661-45	Red Index-HW
15	001638-45	Lever Handle
16	001047-45	Washer, Santoprene
17	011429-45	Swivel Sleeves (2)
18	009538-45	Swivel Washer
19	000082-40	B-1100 Knob



**Product Specifications:**

4" Wall Mount Workboard Faucet w/ Lever Handles, Swivel Gooseneck w/ 1.5 GPM Water Sense Outlet & 1/2" NPT Male Shanks

Drawn

**KJG**

Checked

**JRM**

Approved

**JHB**

Scale:

**NTS**

Date:

**08/27/12**