



**T&S BRASS AND BRONZE WORKS, INC.**  
 2 Saddleback Cove / P.O. Box 1088  
 Travelers Rest, SC 29690

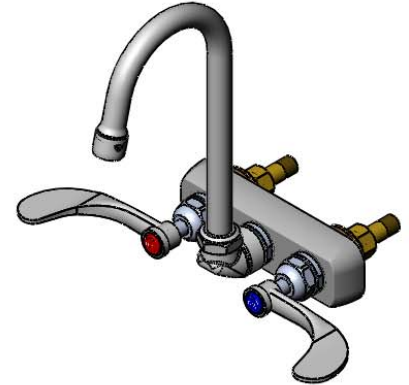
Model No.  
**B-1146-02A-WH4**

Item No.

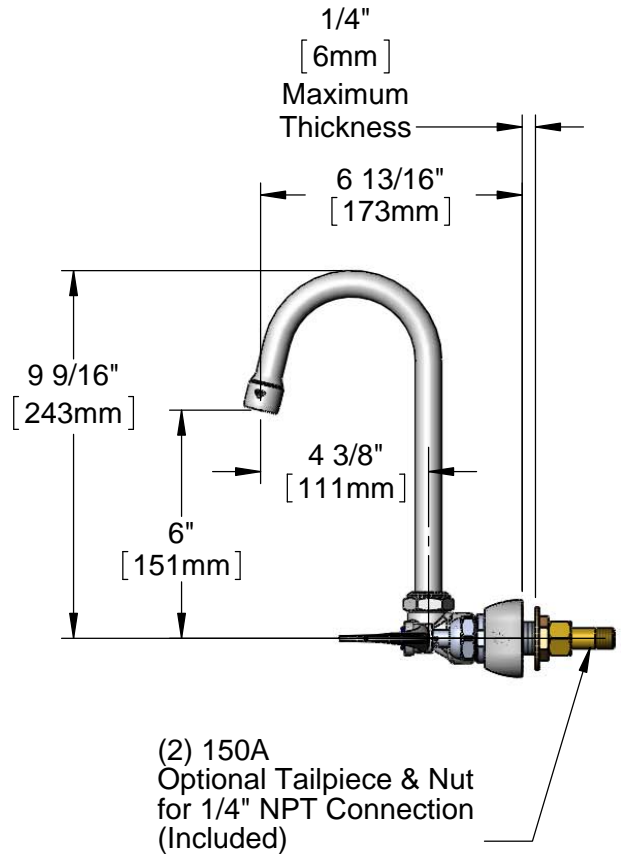
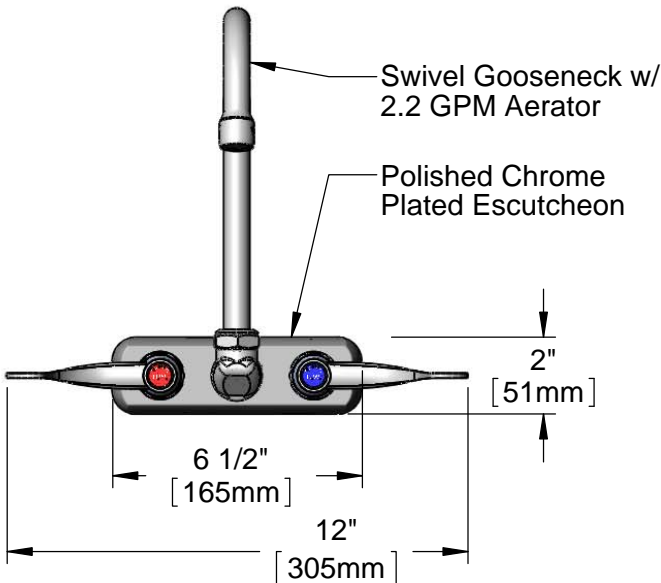
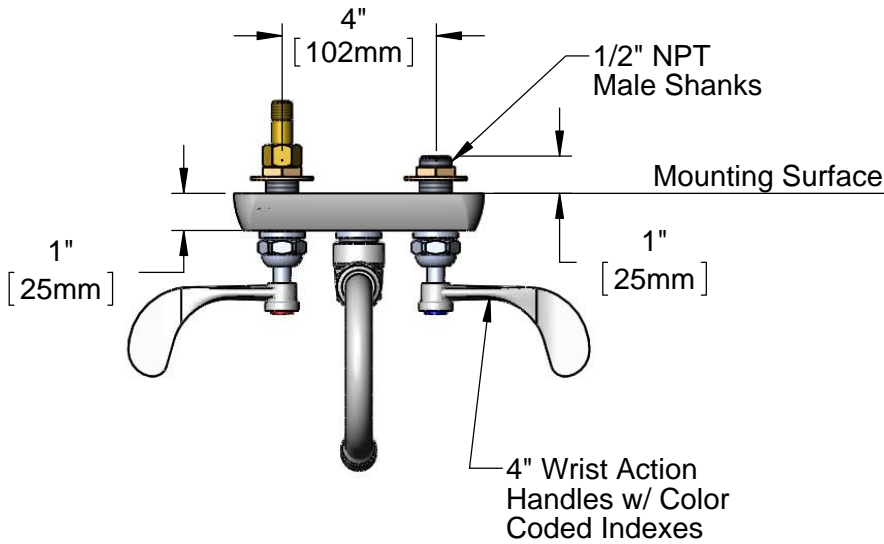
Travelers Rest, SC: 800-476-4103 • Simi Valley, CA: 800-423-0150 • Fax: 864-834-3518 • www.tsbrass.com

This Space for Architect/Engineer Approval

Job Name \_\_\_\_\_ Date \_\_\_\_\_  
 Model Specified \_\_\_\_\_ Quantity \_\_\_\_\_  
 Customer/Wholesaler \_\_\_\_\_  
 Contractor \_\_\_\_\_  
 Architect/Engineer \_\_\_\_\_



B-1100-K  
 Elbow Kit w/  
 (2) 1/2" NPT Male  
 90° Elbows  
 (Sold Separately)



Rough-In Requirement:  
 (2)  $\phi$  1" [25mm] Mounting Holes

Product Specifications:  
 4" Wall Mount Workboard Faucet w/ 4" Wrist Action Handles, Swivel Gooseneck w/ 2.2 GPM Aerator & 1/2" NPT Male Shanks

Drawn <b>KJG</b>	Checked <b>JRM</b>	Approved <b>JHB</b>
Scale: <b>1:5</b>		Date: <b>08/27/12</b>



# T&S BRASS AND BRONZE WORKS, INC.

2 Saddleback Cove / P.O. Box 1088  
Travelers Rest, SC 29690

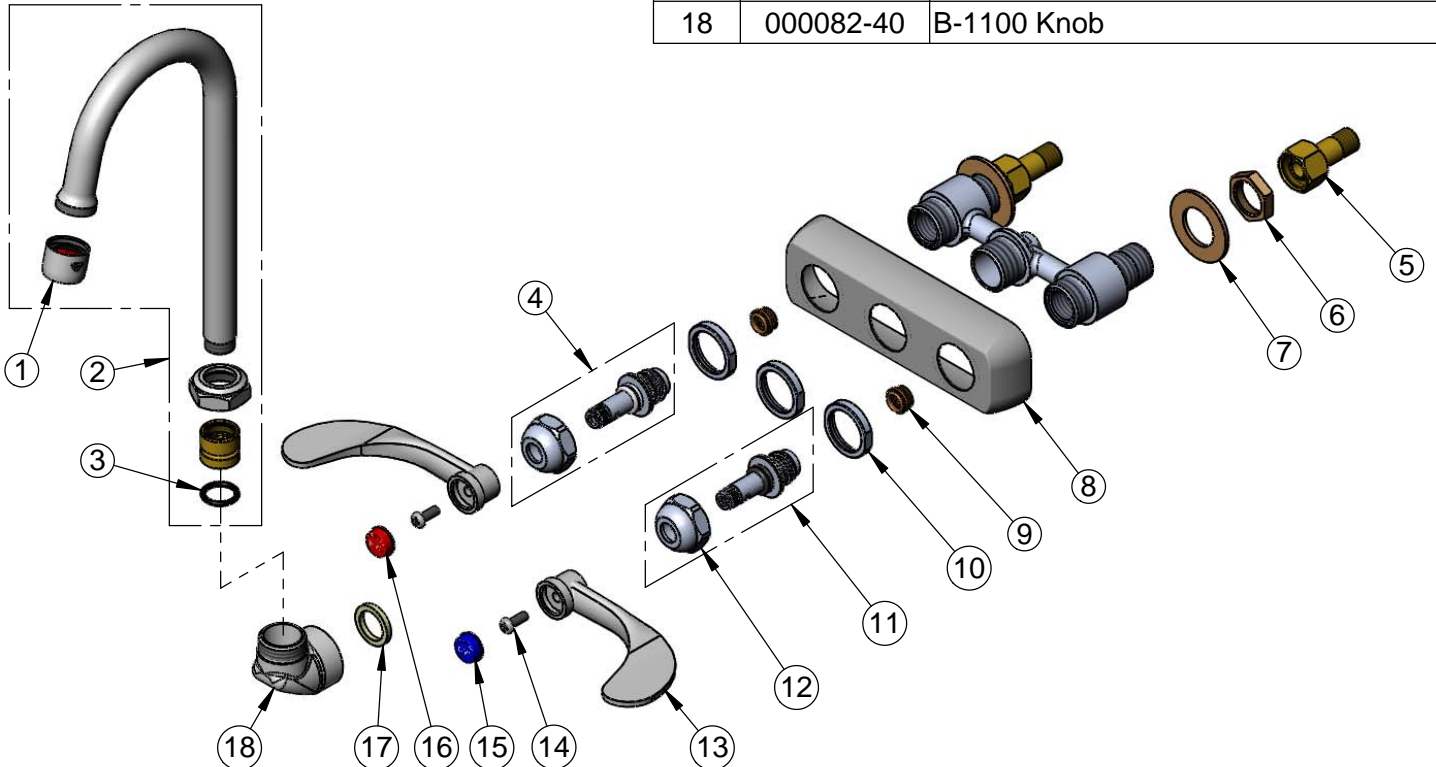
Model No.

**B-1146-02A-WH4**

Item No.

Travelers Rest, SC: 800-476-4103 • Simi Valley, CA: 800-423-0150 • Fax: 864-834-3518 • www.tsbrass.com

ITEM NO.	SALES NO.	DESCRIPTION
1	B-0199-01	2.2 GPM Aerator, Female
2	017907-40	Swivel Gooseneck Asm
3	001074-45	O-Ring
4	009424-40	B-2346 Spindle Assembly, LTC (Teflon)
5	150A	1/4" NPT Tailpiece & Nut
6	002954-45	Shank Lock Nut
7	000999-45	Brass Lock Washer
8	001258-40	Escutcheon
9	000763-20	Seat
10	000712-25	Escutcheon Lock Nut
11	009423-40	B-2346 Spindle Assembly, RTC (Teflon)
12	009749-25	Bonnet Nut
13	B-WH4	4" Wrist Action Handle
14	000925-45	Lab Handle Screw
15	001686-45	Blue Inde -CW
16	001194-45	Red Index-HW
17	001017-45	Washer
18	000082-40	B-1100 Knob



**Product Specifications:**

4" Wall Mount Workboard Faucet w/ 4" Wrist Action Handles, Swivel Gooseneck w/ 2.2 GPM Aerator & 1/2" NPT Male Shanks

Drawn

**KJG**

Checked

**JRM**

Approved

**JHB**

Scale:

**NTS**

Date:

**08/27/12**