



T&S BRASS AND BRONZE WORKS, INC.

2 Saddleback Cove / P.O. Box 1088
Travelers Rest, SC 29690

Model No.

B-1146-04

Item No.

Travelers Rest, SC: 800-476-4103 • Simi Valley, CA: 800-423-0150 • Fax: 864-834-3518 • www.tsbrass.com

This Space for Architect/Engineer Approval

Job Name _____ Date _____

Model Specified _____ Quantity _____

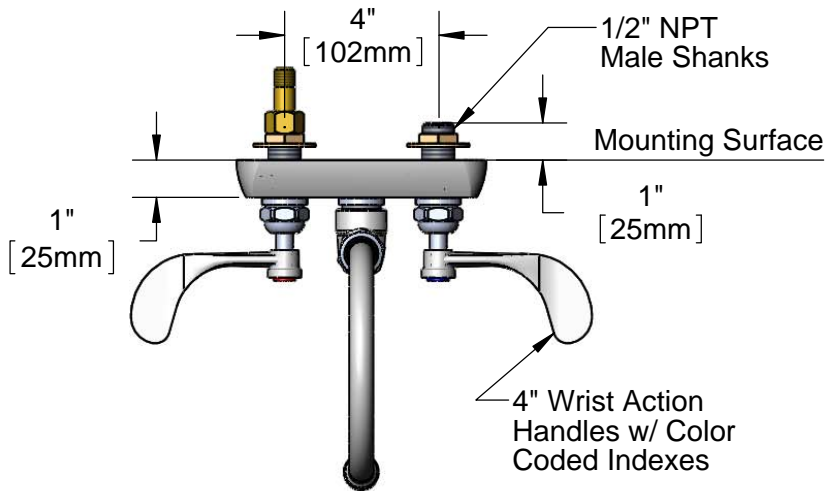
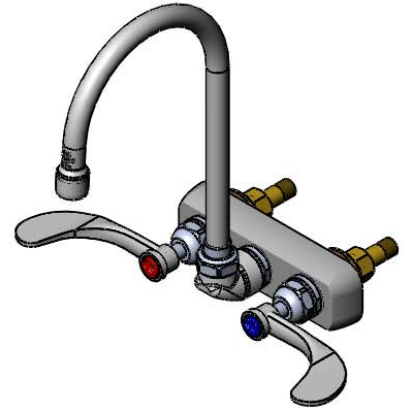
Customer/Wholesaler _____

Contractor _____

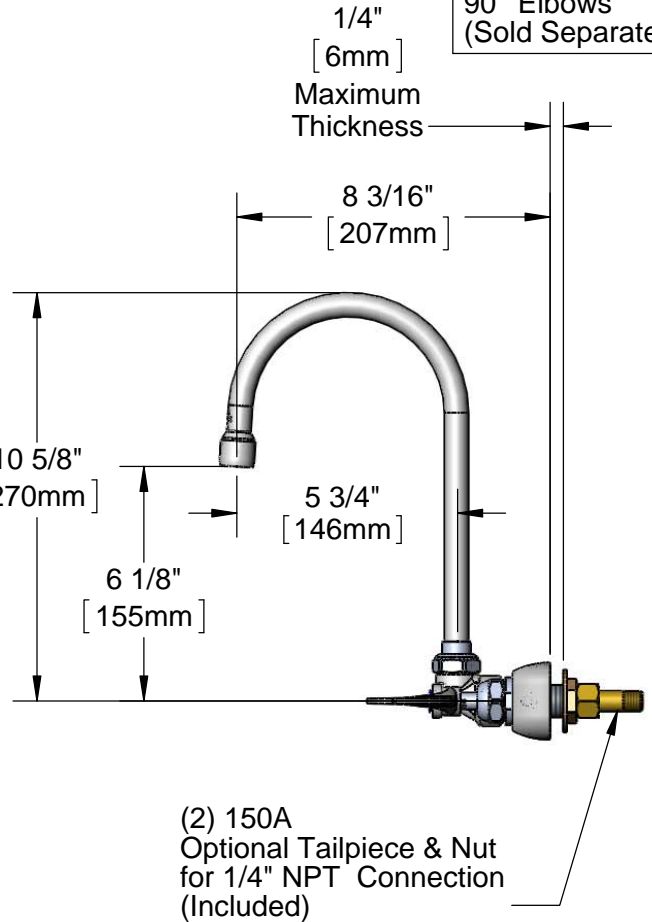
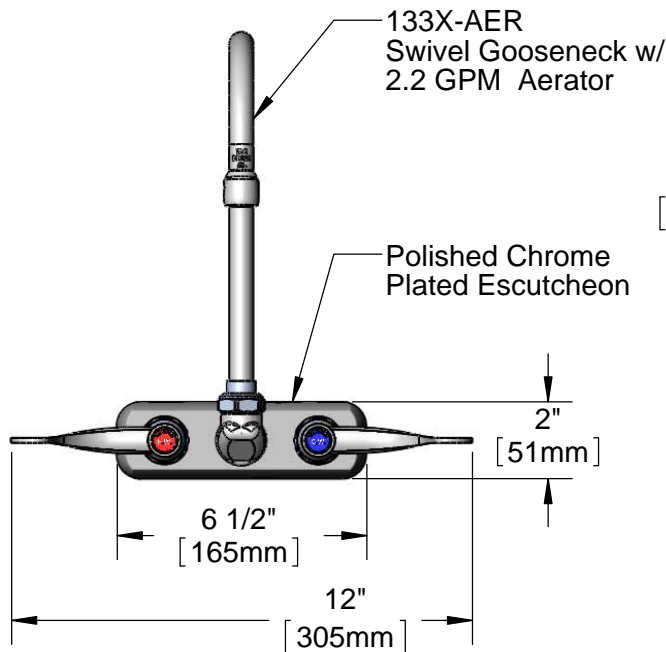
Architect/Engineer _____



ADA Compliant



B-1100-K
Elbow Kit w/
(2) 1/2" NPT Male
90° Elbows
(Sold Separately)



Rough-In Requirement:
(2) ϕ 1" [25mm] Mounting Holes

Product Specifications:

4" Wall Mount Workboard Faucet w/ 4" Wrist Action Handles, Swivel Gooseneck w/ 2.2 GPM Aerator & 1/2" NPT Male Shanks

Drawn

KJG

Checked

JRM

Approved

JHB

Scale:

1:5

Date:

08/27/12



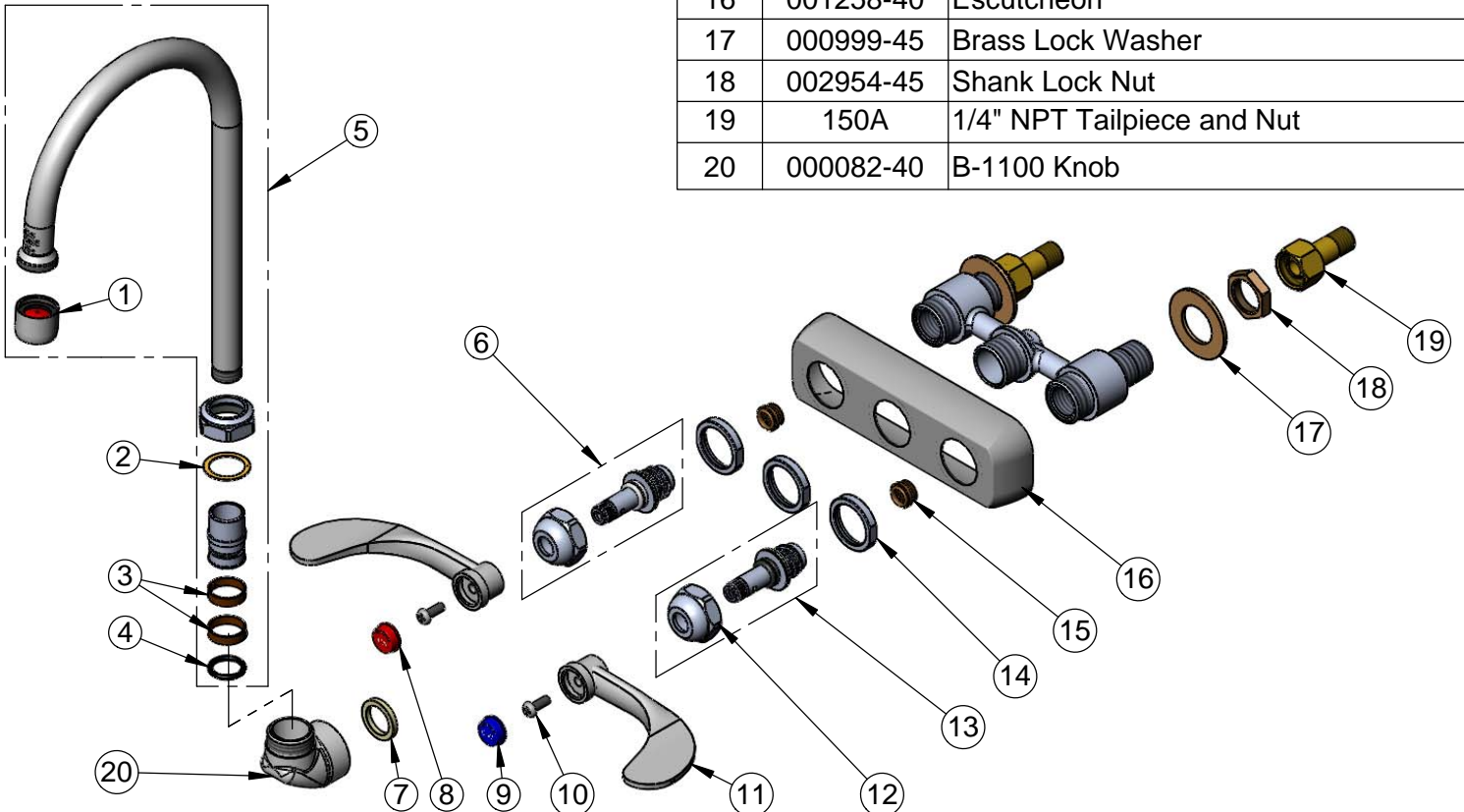
T&S BRASS AND BRONZE WORKS, INC.
 2 Saddleback Cove / P.O. Box 1088
 Travelers Rest, SC 29690

Model No.
B-1146-04

Item No.

Travelers Rest, SC: 800-476-4103 • Simi Valley, CA: 800-423-0150 • Fax: 864-834-3518 • www.tsbrass.com

ITEM NO.	SALES NO.	DESCRIPTION
1	B-0199-01	2.2 GPM Aerator, Female
2	009538-45	Swivel Washer
3	011429-45	Swivel Sleeves (2)
4	001074-45	O-Ring
5	133X-AER	133X Swivel Goosneck w/ Aerator
6	009424-40	B-2346 Spindle Assembly, LTC (Teflon)
7	001017-45	Washer
8	001194-45	Red Index-HW
9	001686-45	Blue Index-CW
10	000925-45	Lab Handle Screw
11	B-WH4	4" Wrist Action Handle
12	009749-25	Bonnet Nut
13	009423-40	B-2346 Spindle Assembly, RTC (Teflon)
14	000712-25	Escutcheon Lock Nut
15	000763-20	Seat
16	001258-40	Escutcheon
17	000999-45	Brass Lock Washer
18	002954-45	Shank Lock Nut
19	150A	1/4" NPT Tailpiece and Nut
20	000082-40	B-1100 Knob



Product Specifications:
 4" Wall Mount Workboard Faucet w/ 4" Wrist Action Handles, Swivel Goosneck w/ 2.2 GPM Aerator & 1/2" NPT Male Shanks

Drawn KJG	Checked JRM	Approved JHB
Scale: NTS		Date: 08/27/12