



T&S BRASS AND BRONZE WORKS, INC.

2 Saddleback Cove / P.O. Box 1088
Travelers Rest, SC 29690

Model No.

B-1210-12

Item No.

Travelers Rest, SC: 800-476-4103 • Simi Valley, CA: 800-423-0150 • Fax: 864-834-3518 • www.tsbrass.com



ADA Compliant

This Space for Architect/Engineer Approval

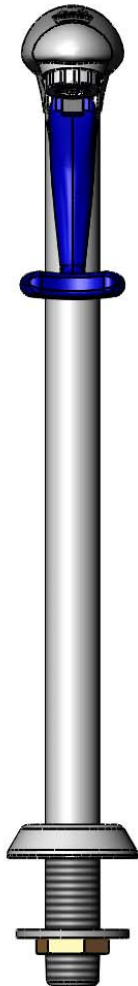
Job Name _____ Date _____

Model Specified _____ Quantity _____

Customer/Wholesaler _____

Contractor _____

Architect/Engineer _____



Torx Wrench
Adjustable
Flow Outlet

3 3/4"
[96mm]

12"
[305mm]

8 3/4"
[222mm]

Dark Blue
Lever Arm

13 5/16"
[338mm]

Ø2" [51mm]
Adjustable
Flange

1/2" NPT
Male Inlet

1 1/8"
[29mm]
Maximum
Thickness

Rough-in Requirement:
Ø1" [25mm] Mounting Hole

Product Specifications:
12" Pedestal Type Glass Filler, Push Back Design, 1/2" NPT Male Shank,
Adjustable Flange, Dark Blue Self-Closing Arm

Drawn

JRM

Checked

DMH

Approved

JHB

Scale:

1:3

Date:

01/24/13



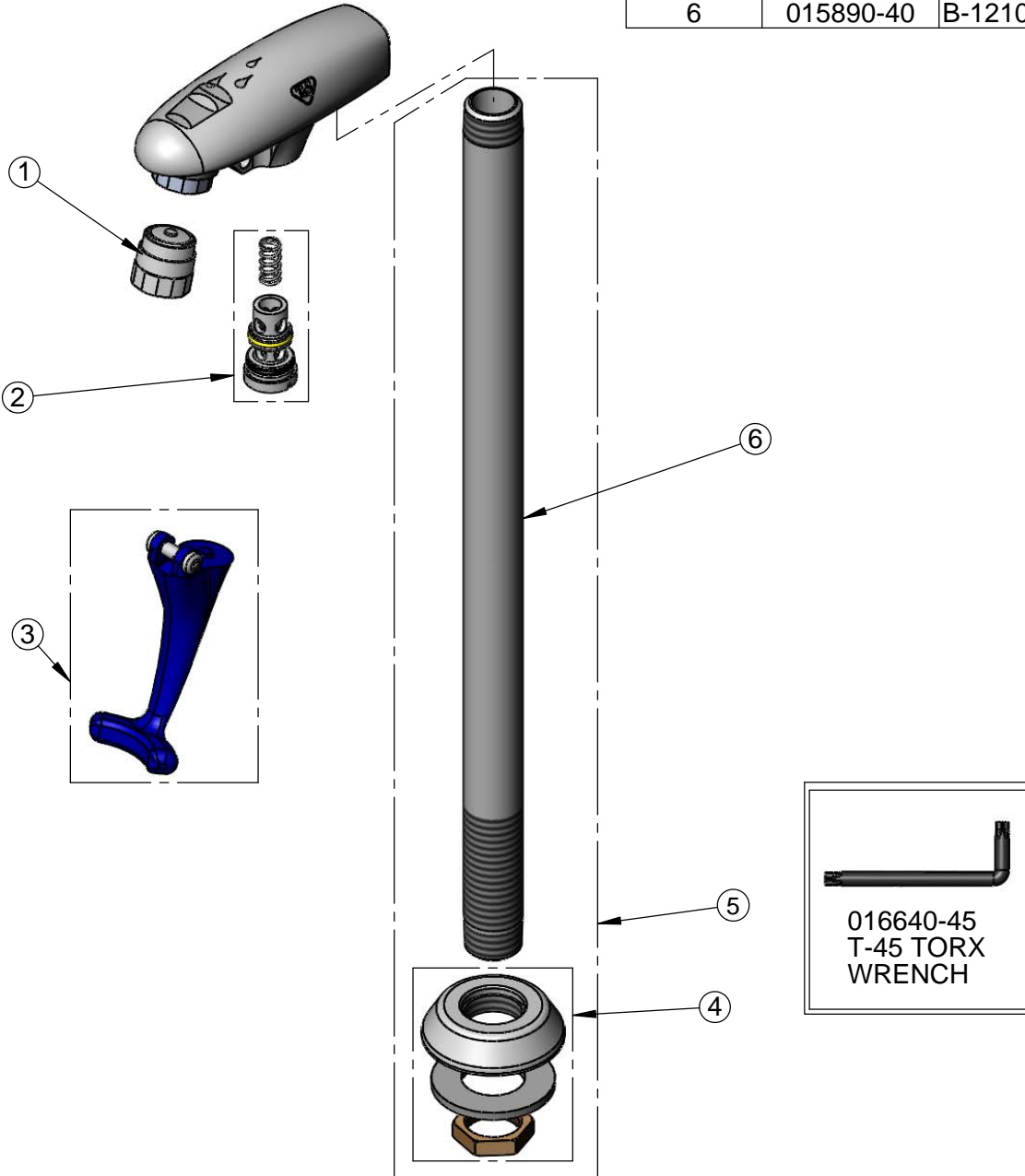
T&S BRASS AND BRONZE WORKS, INC.
 2 Saddleback Cove / P.O. Box 1088
 Travelers Rest, SC 29690

Model No.
B-1210-12

Item No.

Travelers Rest, SC: 800-476-4103 • Simi Valley, CA: 800-423-0150 • Fax: 864-834-3518 • www.tsbrass.com

ITEM NO.	SALES NO.	DESCRIPTION
1	015588-40	Adjustable Outlet w/ Torx Wrench
2	015589-40	Valve Assembly
3	015550-45	Lever Arm Repair Kit
4	016783-40	Adjustable Deck Flange Repair Kit
5	015891-40	Pedestal Assembly
6	015890-40	B-1210-12 Pedestal



Product Specifications:
 12" Pedestal Type Glass Filler, Push Back Design, 1/2" NPT Male Shank,
 Adjustable Flange, Dark Blue Self-Closing Arm

Drawn JRM	Checked DMH	Approved JHB
Scale: NTS		Date: 01/24/13