



**T&S BRASS AND BRONZE WORKS, INC.**  
 2 Saddleback Cove / P.O. Box 1088  
 Travelers Rest, SC 29690

Model No.  
**B-1210**

Item No.

Travelers Rest, SC: 800-476-4103 • Simi Valley, CA: 800-423-0150 • Fax: 864-834-3518 • www.tsbrass.com



**ADA Compliant**

This Space for Architect/Engineer Approval

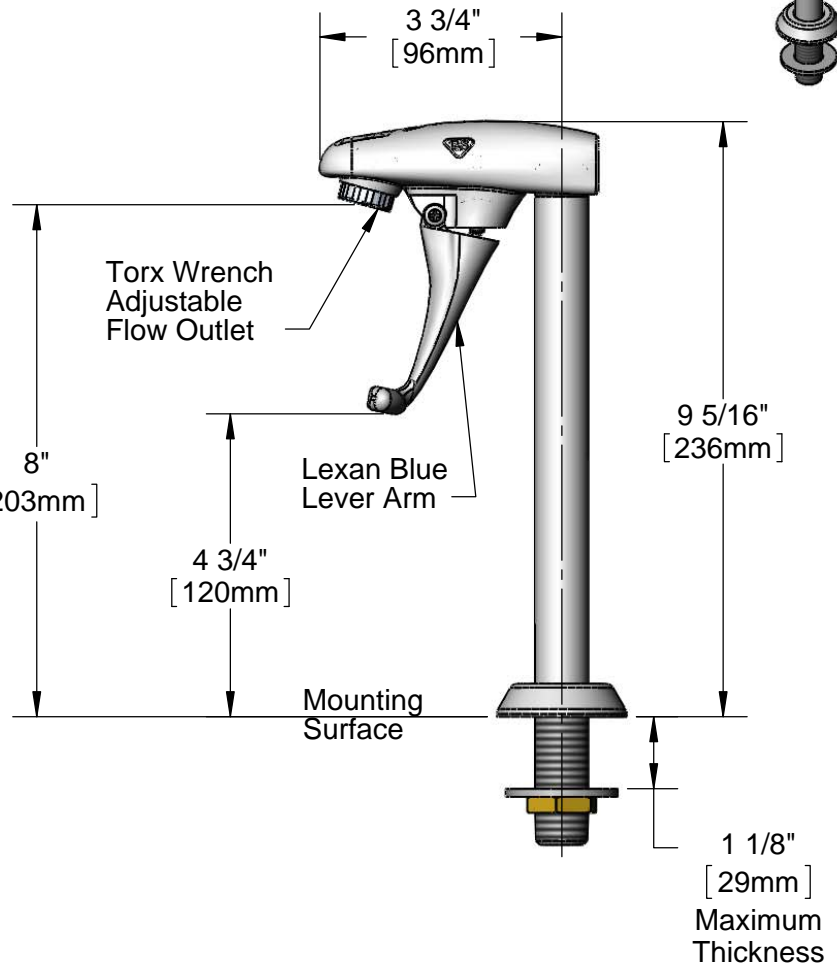
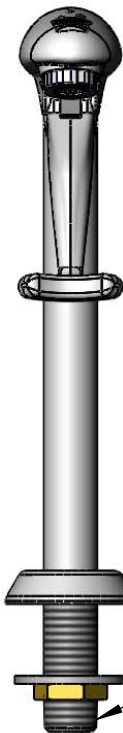
Job Name \_\_\_\_\_ Date \_\_\_\_\_

Model Specified \_\_\_\_\_ Quantity \_\_\_\_\_

Customer/Wholesaler \_\_\_\_\_

Contractor \_\_\_\_\_

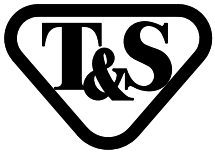
Architect/Engineer \_\_\_\_\_



Rough-In Requirement:  
 $\phi$  1" [25mm] Mounting Hole

Product Specifications:  
 Pedestal Type Glass Filler, Push Back Design, 1/2" NPT Male Shank,  
 Adjustable Flange, Blue Self-Closing Lexan Arm

Drawn <b>JRM</b>	Checked <b>KJG</b>	Approved <b>JHB</b>
Scale: <b>1:3</b>		Date: <b>06/13/12</b>



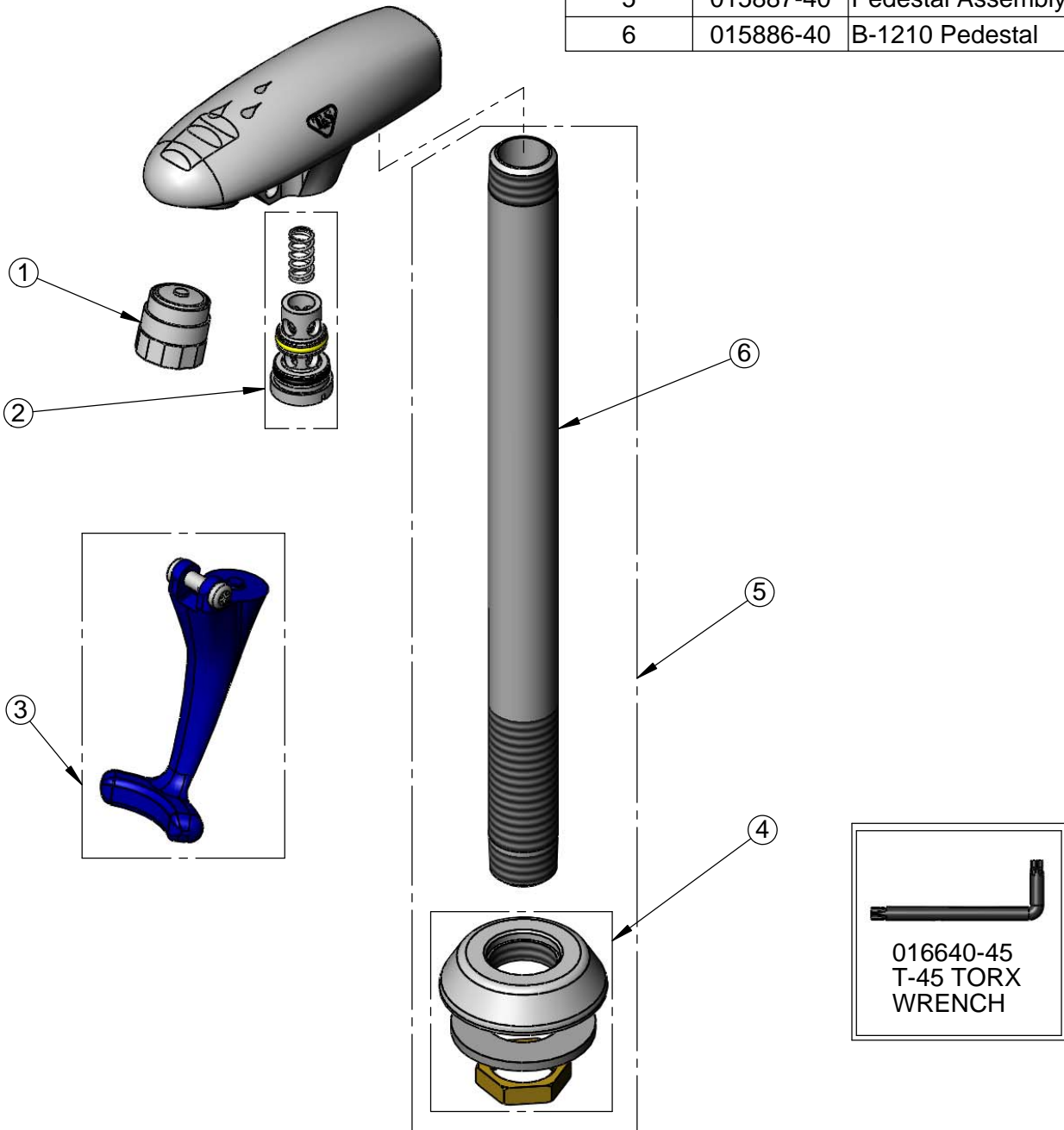
**T&S BRASS AND BRONZE WORKS, INC.**  
 2 Saddleback Cove / P.O. Box 1088  
 Travelers Rest, SC 29690

Model No.  
**B-1210**

Item No.

Travelers Rest, SC: 800-476-4103 • Simi Valley, CA: 800-423-0150 • Fax: 864-834-3518 • www.tsbrass.com

ITEM NO.	SALES NO.	DESCRIPTION
1	015588-40	Adjustable Outlet w/ Torx Wrench
2	015589-40	Valve Assembly
3	015550-45	Lever Arm Repair Kit
4	016783-40	Adjustable Deck Flange Repair Kit
5	015887-40	Pedestal Assembly
6	015886-40	B-1210 Pedestal



Product Specifications:  
 Pedestal Type Glass Filler, Push Back Design, 1/2" NPT Male Shank,  
 Adjustable Flange, Blue Self-Closing Lexan Arm

Drawn <b>JRM</b>	Checked <b>KJG</b>	Approved <b>JHB</b>
---------------------	-----------------------	------------------------

Scale: <b>NTS</b>	Date: <b>06/13/12</b>
----------------------	--------------------------