



**T&S BRASS AND BRONZE WORKS, INC.**

2 Saddleback Cove / P.O. Box 1088  
Travelers Rest, SC 29690

Model No.

**B-1211**

Item No.

Travelers Rest, SC: 800-476-4103 • Simi Valley, CA: 800-423-0150 • Fax: 864-834-3518 • www.tsbrass.com



**ADA Compliant**

This Space for Architect/Engineer Approval

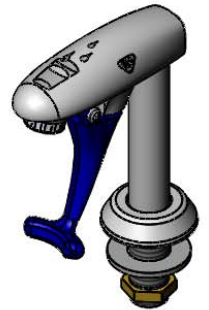
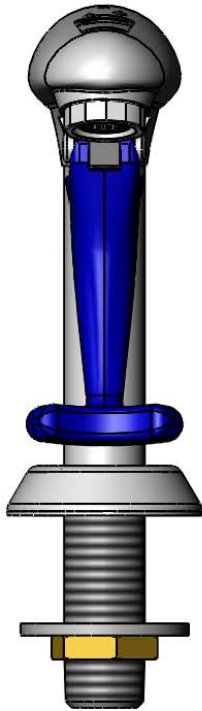
Job Name \_\_\_\_\_ Date \_\_\_\_\_

Model Specified \_\_\_\_\_ Quantity \_\_\_\_\_

Customer/Wholesaler \_\_\_\_\_

Contractor \_\_\_\_\_

Architect/Engineer \_\_\_\_\_



Torx Wrench  
Adjustable  
Flow Outlet

3 3/4"  
[96mm]

Dark Blue  
Lever Arm

4"  
[101mm]

5 5/16"  
[135mm]

3/4"  
[19mm]

∅2"  
[51mm]  
Adjustable  
Flange

1 1/8"  
[29mm]

Maximum  
Thickness

1/2" NPT  
Male Inlet

Rough-In Requirement:  
∅ 1" [25mm] Mounting Hole

Product Specifications:  
4" Pedestal Type Glass Filler, Push Back Design, 1/2" NPT Male Shank,  
Adjustable Flange, Dark Blue Self-Closing Arm

Drawn

**JRM**

Checked

**DMH**

Approved

**JHB**

Scale:

**1:2**

Date:

**01/24/13**



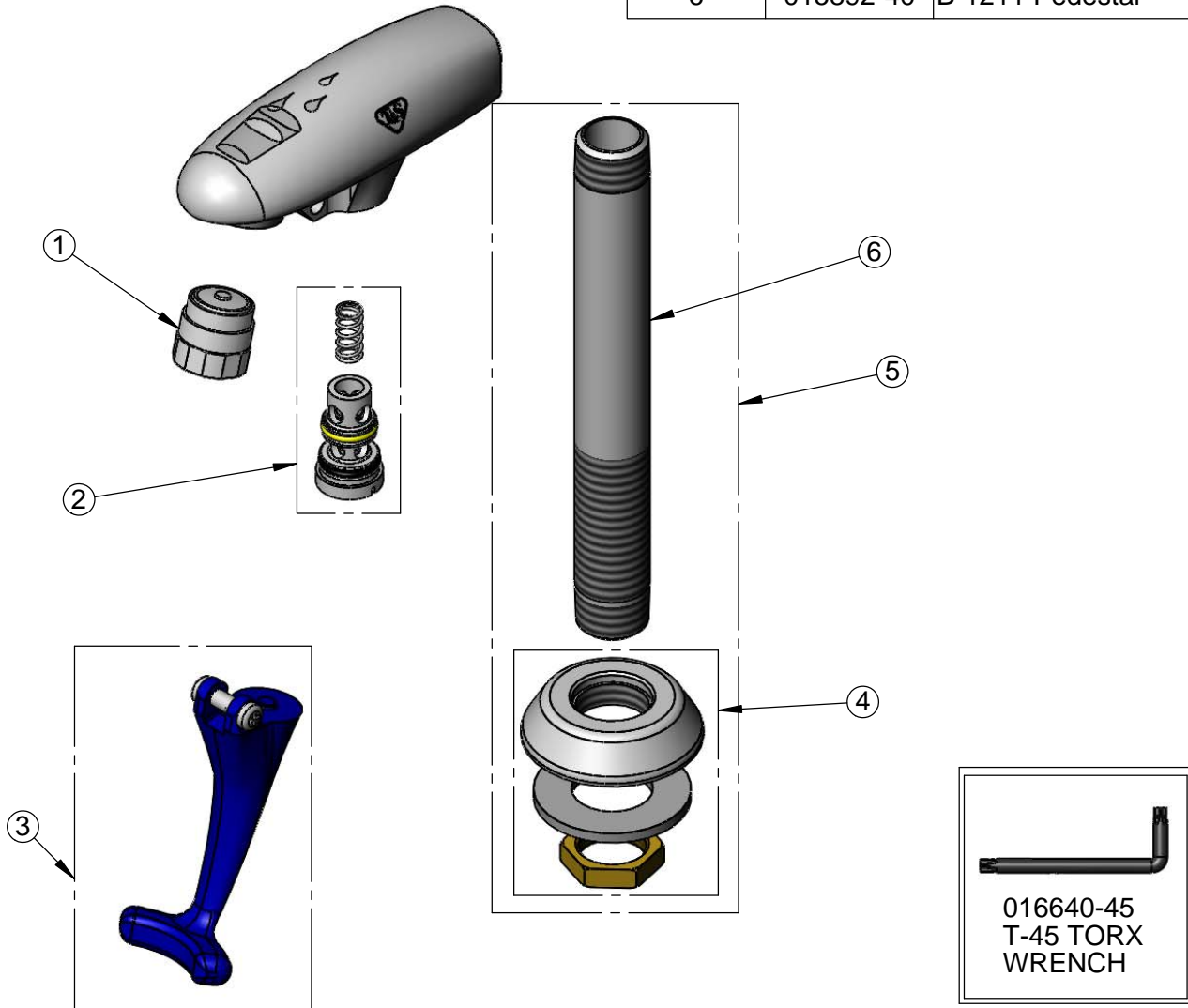
**T&S BRASS AND BRONZE WORKS, INC.**  
 2 Saddleback Cove / P.O. Box 1088  
 Travelers Rest, SC 29690

Model No.  
**B-1211**

Item No.

Travelers Rest, SC: 800-476-4103 • Simi Valley, CA: 800-423-0150 • Fax: 864-834-3518 • www.tsbrass.com

ITEM NO.	SALES NO.	DESCRIPTION
1	015588-40	Adjustable Outlet w/ Torx Wrench
2	015589-40	Valve Assembly
3	015550-45	Lever Arm Repair Kit
4	016783-40	Adjustable Deck Flange Repair Kit
5	015893-40	Pedestal Assembly
6	015892-40	B-1211 Pedestal



Product Specifications:  
 4" Pedestal Type Glass Filler, Push Back Design, 1/2" NPT Male Shank,  
 Adjustable Flange, Dark Blue Self-Closing Arm

Drawn <b>JRM</b>	Checked <b>DMH</b>	Approved <b>JHB</b>
Scale: <b>NTS</b>		Date: <b>01/24/13</b>