



T&S BRASS AND BRONZE WORKS, INC.

2 Saddleback Cove / P.O. Box 1088
 Travelers Rest, SC 29690



REG. #A2601
 ISO #9001

Model No.

B-2730-WS

Item No.

Travelers Rest, SC: 800-476-4103 • Simi Valley, CA: 800-423-0150 • Fax: 864-834-3518 • www.tsbrass.com

This Space for Architect/Engineer Approval

Job Name _____ Date _____

Model Specified _____ Quantity _____

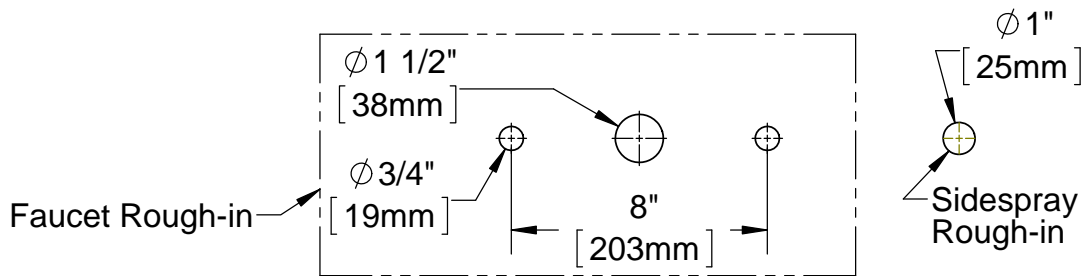
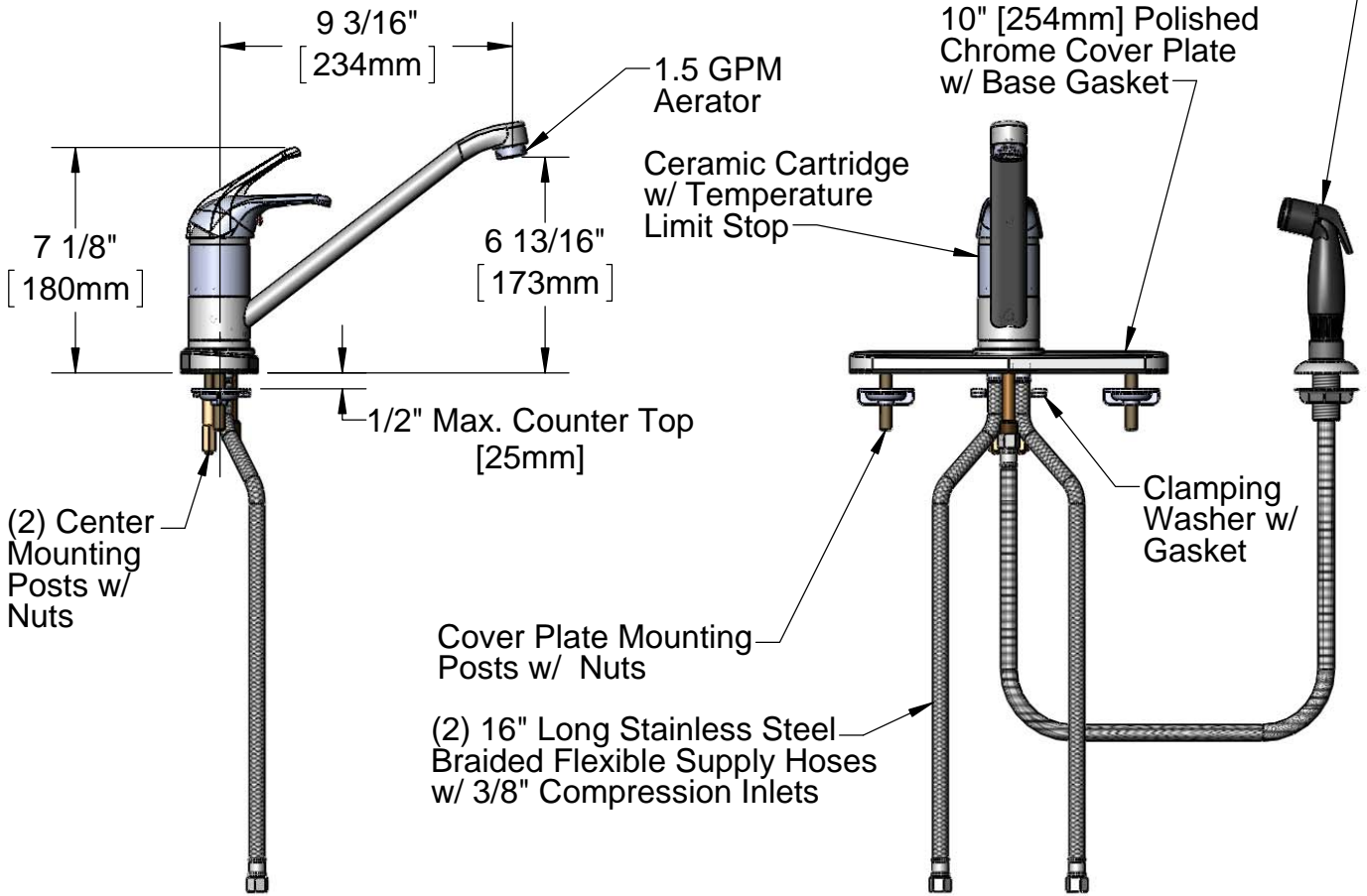
Customer/Wholesaler _____

Contractor _____

Architect/Engineer _____



ADA Compliant



Product Specifications:
 Single Lever Deck Mount Faucet w/ 9" Spout, 1.5 GPM Aerator,
 Flexible Supplies, 10" Deckplate, Temperature Limit Stop &
 48" Sidespray

Drawn DMH	Checked DHL	Approved JHB
Scale: 1:6		Date: 09/27/11



T&S BRASS AND BRONZE WORKS, INC.

2 Saddleback Cove / P.O. Box 1088
Travelers Rest, SC 29690



REG. #A2601
ISO #9001

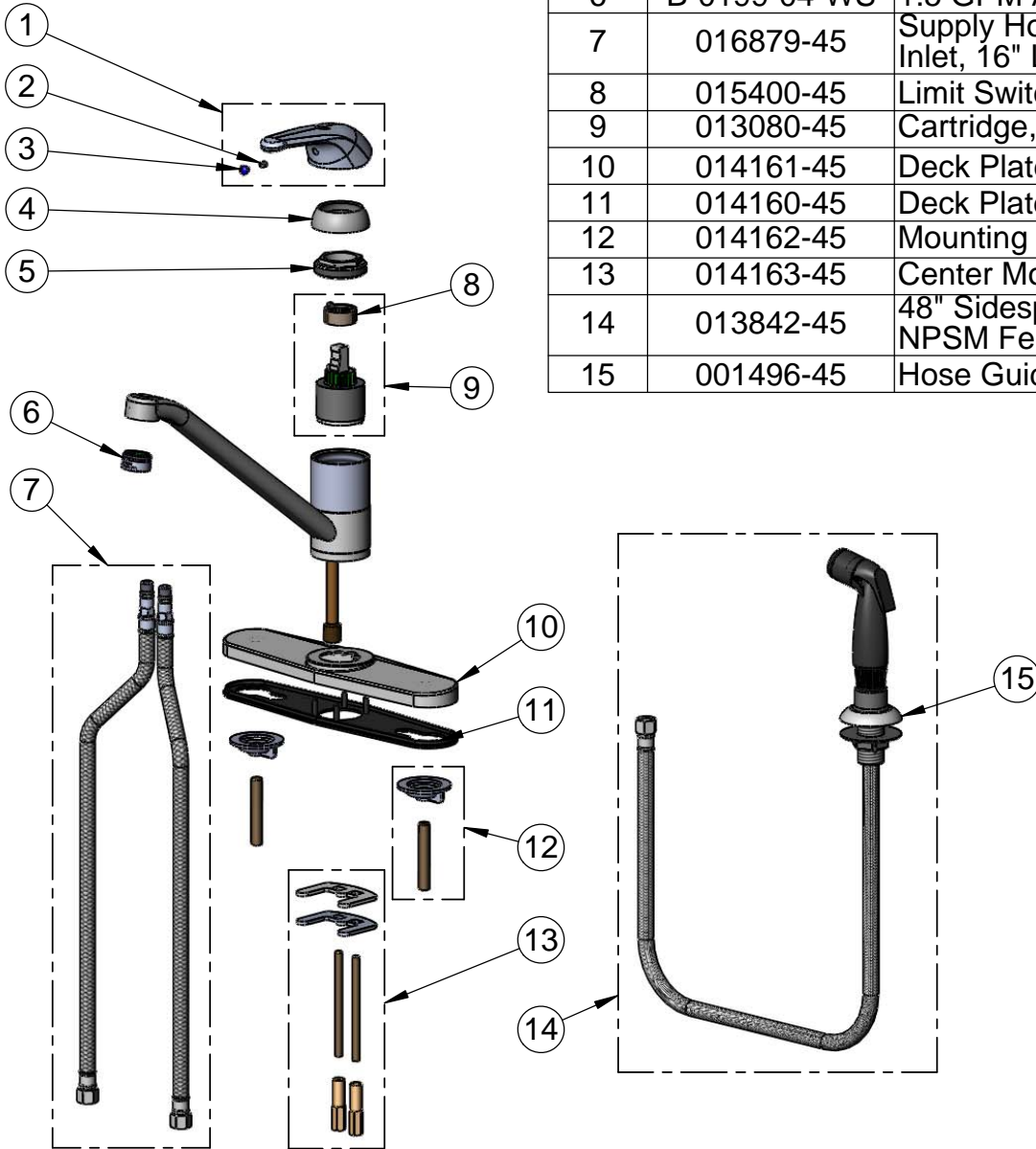
Model No.

B-2730-WS

Item No.

Travelers Rest, SC: 800-476-4103 • Simi Valley, CA: 800-423-0150 • Fax: 864-834-3518 • www.tsbrass.com

ITEM NO.	SALES NO.	DESCRIPTION
1	013113-45	B-2710 Handle, Single Lever
2	016675-45	Set Screw
3	014173-45	Index, Temperature
4	016661-45	Trim Ring
5	016663-45	Locking Nut
6	B-0199-04-WS	1.5 GPM Aerator, 15/16-27 Male
7	016879-45	Supply Hoses (2), 3/8" Compression Inlet, 16" Long
8	015400-45	Limit Switch
9	013080-45	Cartridge, B-2730 & B-2731
10	014161-45	Deck Plate, B-2730 & B-2731
11	014160-45	Deck Plate Gasket, B-2730 & B-2731
12	014162-45	Mounting Post & Nut Kit (Set of 2)
13	014163-45	Center Mounting Kit
14	013842-45	48" Sidespray w/ Hose Guide, 1/4-18 NPSM Female Connection
15	001496-45	Hose Guide



Product Specifications:

Single Lever Deck Mount Faucet w/ 9" Spout, 1.5 GPM Aerator, Flexible Supplies, 10" Deckplate, Temperature Limit Stop & 48" Sidespray

Drawn

DMH

Checked

DHL

Approved

JHB

Scale:

NTS

Date:

09/27/11