



T&S BRASS AND BRONZE WORKS, INC.

2 Saddleback Cove / P.O. Box 1088
Travelers Rest, SC 29690



REG. #A2601
ISO #9001

Model No.

MPW-8WWN-08-CR

Item No.

Travelers Rest, SC: 800-476-4103 • Simi Valley, CA: 800-423-0150 • Fax: 864-834-3518 • www.tsbrass.com

This Space for Architect/Engineer Approval

Job Name _____ Date _____

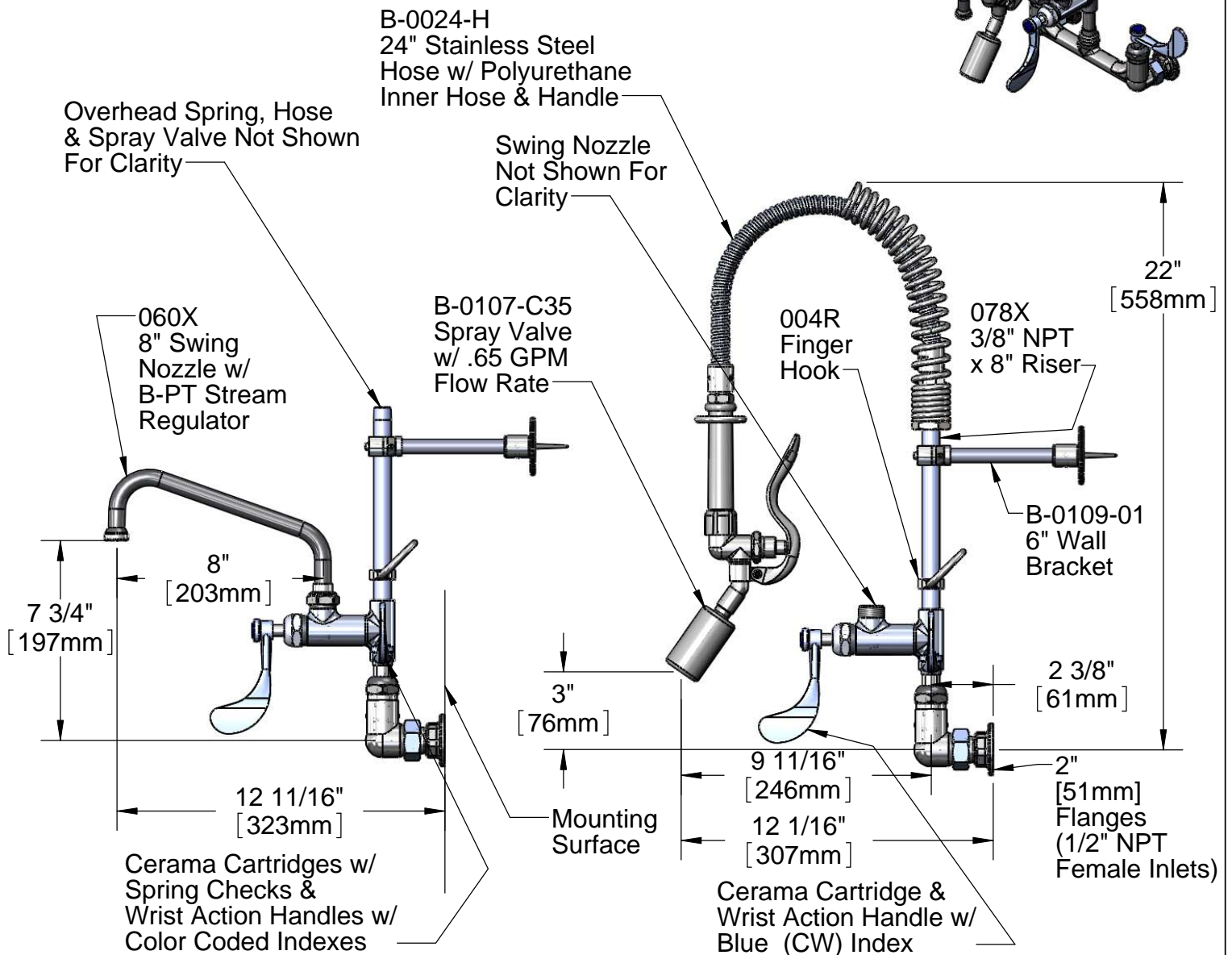
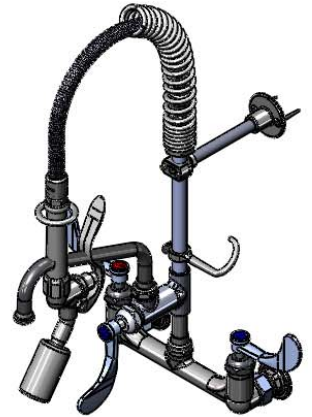
Model Specified _____ Quantity _____

Customer/Wholesaler _____

Contractor _____

Architect/Engineer _____

EPAct2005 Compliant
For Commercial Use Only



Product Specifications:
EasyInstall Mini Pre-Rinse Unit:
8" Wall Mount Mixing Faucet w/ Ceramas, Add-On Faucet,
8" Swing Nozzle, Compact Spring & Flex Hose, B-0107-C35
Spray Valve, 6" Wall Bracket & Wrist Action Handles

Drawn	Checked	Approved
JRM	KJG	JHB
Scale:	Date:	
1:8	02/04/11	



T&S BRASS AND BRONZE WORKS, INC.

2 Saddleback Cove / P.O. Box 1088
Travelers Rest, SC 29690



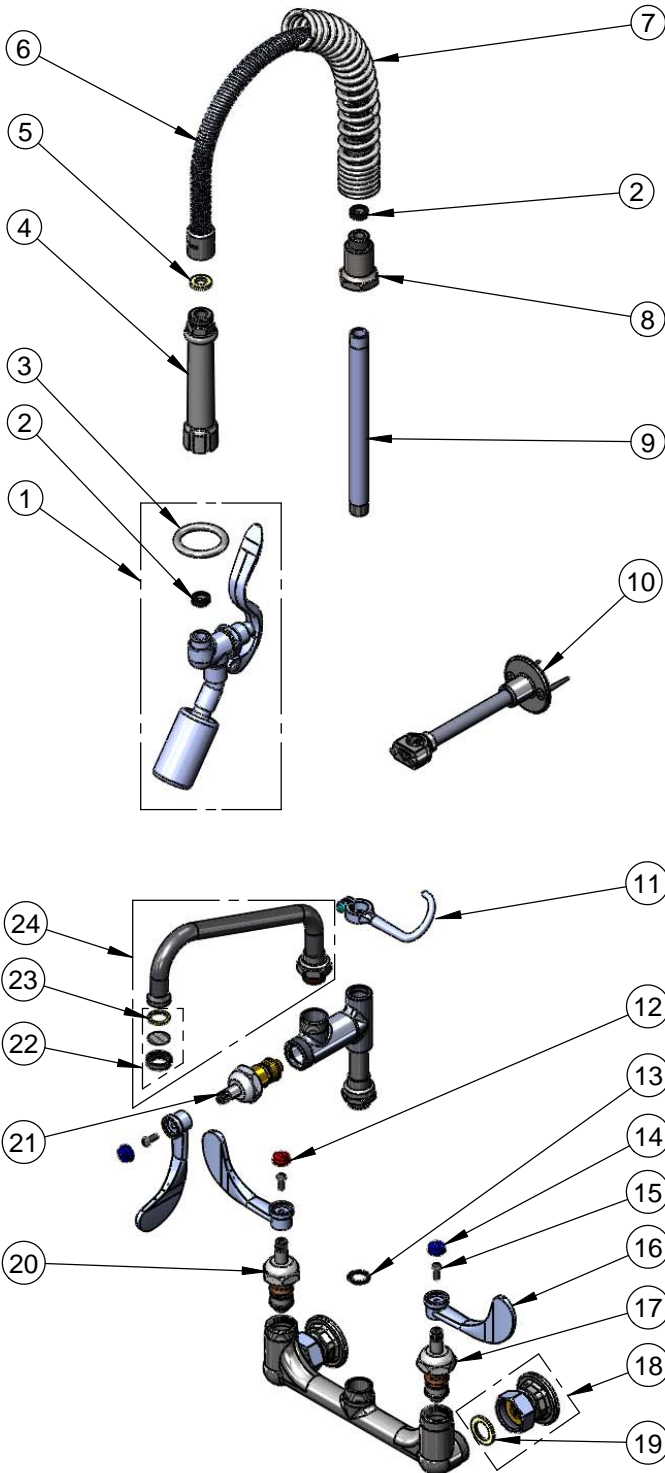
REG. #A2601
ISO #9001

Model No.

MPW-8WWN-08-CR

Item No.

Travelers Rest, SC: 800-476-4103 Simi Valley, CA: 800-423-0150 Fax: 864-834-3518 www.tsbrass.com



ITEM NO.	SALES NO.	DESCRIPTION
1	B-0107-C35	0.65 GPM Low Flow Spray Valve
2	010476-45	#27 Washer
3	000907-45	Hold Down Ring
4	002987-40	Grip Handle Assembly
5	001014-45	Washer, B-0100 Hose Barrel
6	B-0024-H2A	24" Flex Hose Less Handle
7	016795-45	Compact Pre-Rinse Spring
8	000821-40	Spring Body
9	078X	3/8" x 8" Riser
10	B-0109-01	Bracket Assembly, 6" Wall
11	004R	Finger Hook
12	001194-45	Hot, Snap-In Button
13	014200-45	SS Lockwasher for EasyInstall
14	001686-45	Cold, Snap-In Button
15	000925-45	Screw, Wrist Action Handle
16	B-WH4	4" Wrist Action Handle
17	012395-25	Cerama Cartridge, LTC w/ Check Valve
18	00AA	00AA Flange Assembly
19	001019-45	Coupling Nut Washer
20	012394-25	Cerama Cartridge, RTC w/ Check Valve
21	011278-25	Cerama Cartridge RTC
22	B-PT	Stream Regulator Outlet
23	001048-45	Nozzle Tip Washer
24	060X	8" Swing Nozzle

Product Specifications:

EasyInstall Mini Pre-Rinse Unit:
8" Wall Mount Mixing Faucet w/ Ceramas, Add-On Faucet,
8" Swing Nozzle, Compact Spring & Flex Hose, B-0107-C35
Spray Valve, 6" Wall Bracket & Wrist Action Handles

Drawn JRM	Checked KJG	Approved JHB
Scale: NTS		Date: 02/04/11