



T&S BRASS AND BRONZE WORKS, INC.

2 Saddleback Cove / P.O. Box 1088
Travelers Rest, SC 29690



REG. #A2601
ISO #9001

Model No.
MPX-8DLN-08-CR

Item No.

Travelers Rest, SC: 800-476-4103 Simi Valley, CA: 800-423-0150 Fax: 864-834-3518 www.tsbrass.com

This Space for Architect/Engineer Approval

Job Name _____ Date _____

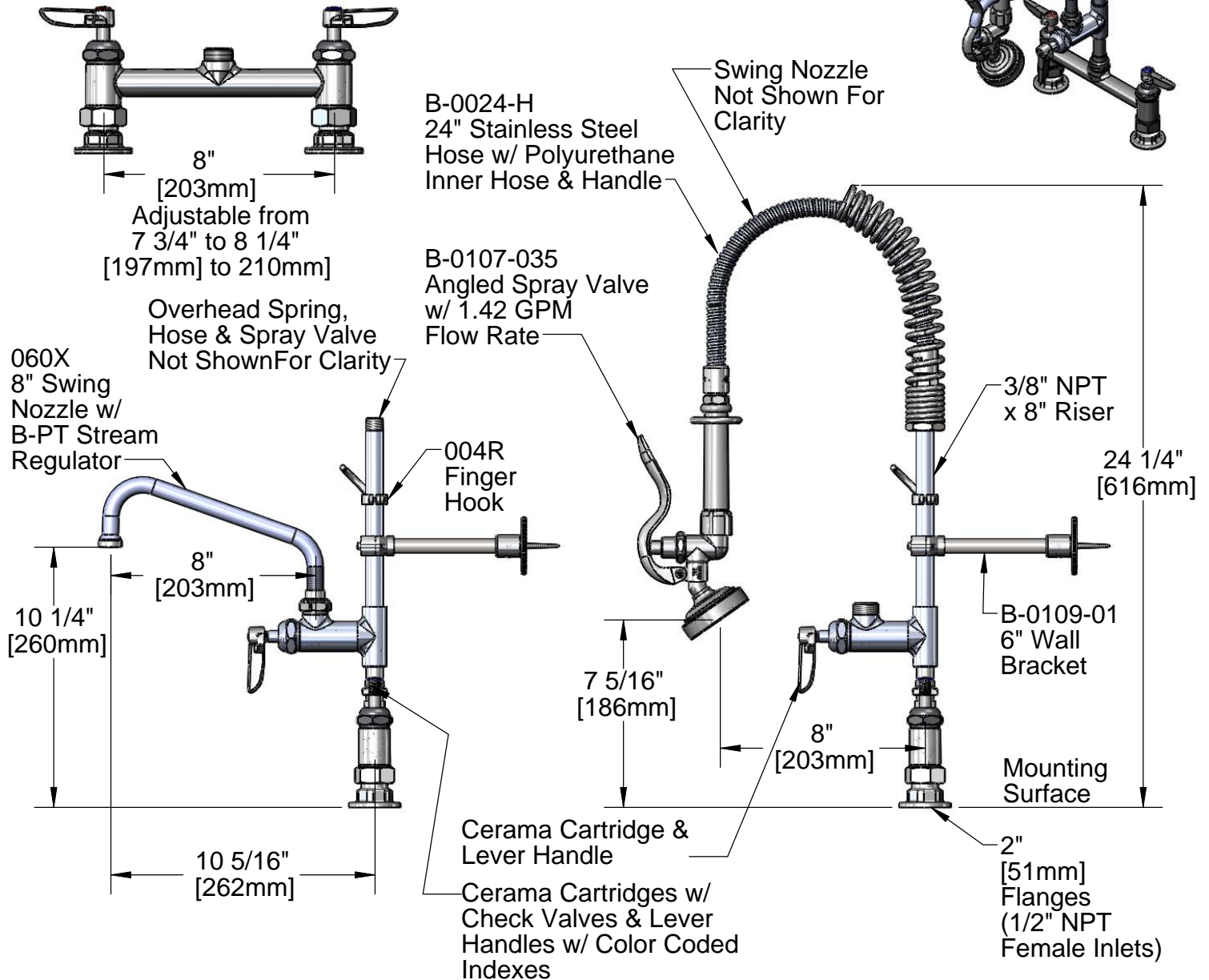
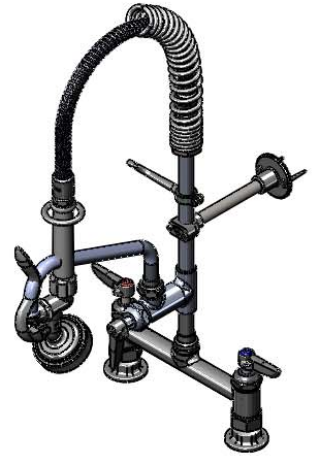
Model Specified _____ Quantity _____

Customer/Wholesaler _____

Contractor _____

Architect/Engineer _____

EPA2005 Compliant
For Commercial Use Only



Product Specifications:
**Easy Install Pre-Rinse Unit:
8" Deck Mount Mixing Faucet, Add-On Faucet w/ 8" Swing
Nozzle, Compact Spring & Flex Hose, B-0107-035 Spray
Valve, 6" Wall Bracket & Lever Handles**

Drawn KJG	Checked DHL	Approved JHB
Scale: NTS	Date: 06/15/10	



T&S BRASS AND BRONZE WORKS, INC.

2 Saddleback Cove / P.O. Box 1088
Travelers Rest, SC 29690



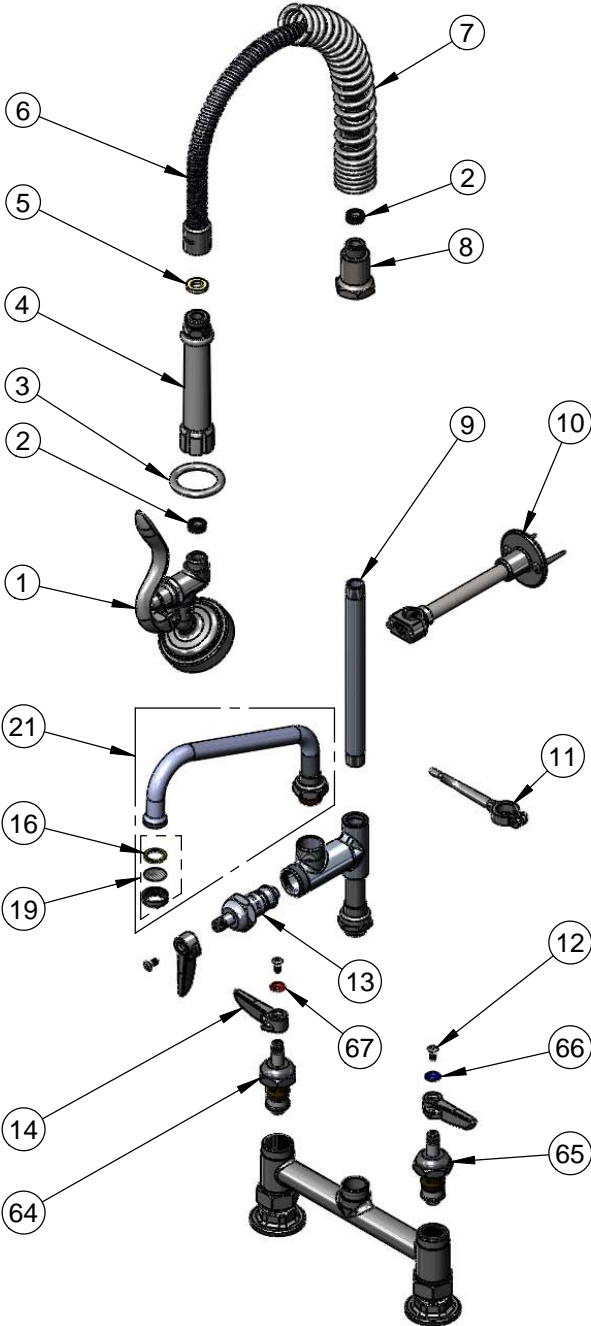
REG. #A2601
ISO #9001

Model No.

MPX-8DLN-08-CR

Item No.

Travelers Rest, SC: 800-476-4103 Simi Valley, CA: 800-423-0150 Fax: 864-834-3518 www.tsbrass.com



ITEM NO.	SALES NO.	DESCRIPTION
1	B-0107-035	1.42 GPM Angled Spray Valve
2	010476-45	#27 Washer
3	000907-45	Spray Valve Hold Down Ring
4	002987-40	Grip Handle Assembly
5	001014-45	Washer, B-0100 Hose Barrel
6	B-0024-H2A	24" Flex Hose Less handle
7	016795-45	Compact Spring
8	000821-40	Spring Body
9	078X	8" Riser
10	B-0109-01	Bracket Assembly, 6" Wall
11	004R	Finger Hook Assembly
12	000922-45	Lever Handle Screw
13	011278-25	Ceramic Cartridge RTC
14	001638-45	Lever Handle
15	B-PT	Stream Regulator Outlet
16	001048-45	Nozzle Tip Washer
17	060X	8" Swing Nozzle
64	012394-25	Ceramic Cartridge, RTC w/ Check Valve
65	012395-25	Ceramic Cartridge, LTC w/ Check Valve
66	001660-45	Blue Index-CW
67	001661-45	Red Index-HW
68		B-220 Faucet Body
69	001019-45	Coupling Nut Washer
70	00AA	Flange Assembly
71	014200-45	Star Washer, Anti-Rotation

Product Specifications:

Easy Install Pre-Rinse Unit:
8" Deck Mount Mixing Faucet, Add-On Faucet w/ 8" Swing
Nozzle, Compact Spring & Flex Hose, B-0107-035 Spray
Valve, 6" Wall Bracket & Lever Handles

Drawn KJG	Checked DHL	Approved JHB
Scale: NTS		Date: 06/15/10