



T&S BRASS AND BRONZE WORKS, INC.

2 Saddleback Cove / P.O. Box 1088
Travelers Rest, SC 29690



REG. #A2601
ISO #9001

Model No.

MPZ-2DLV-06

Item No.

Travelers Rest, SC: 800-476-4103 Simi Valley, CA: 800-423-0150 Fax: 864-834-3518 www.tsbrass.com

This Space for Architect/Engineer Approval

Job Name _____ Date _____

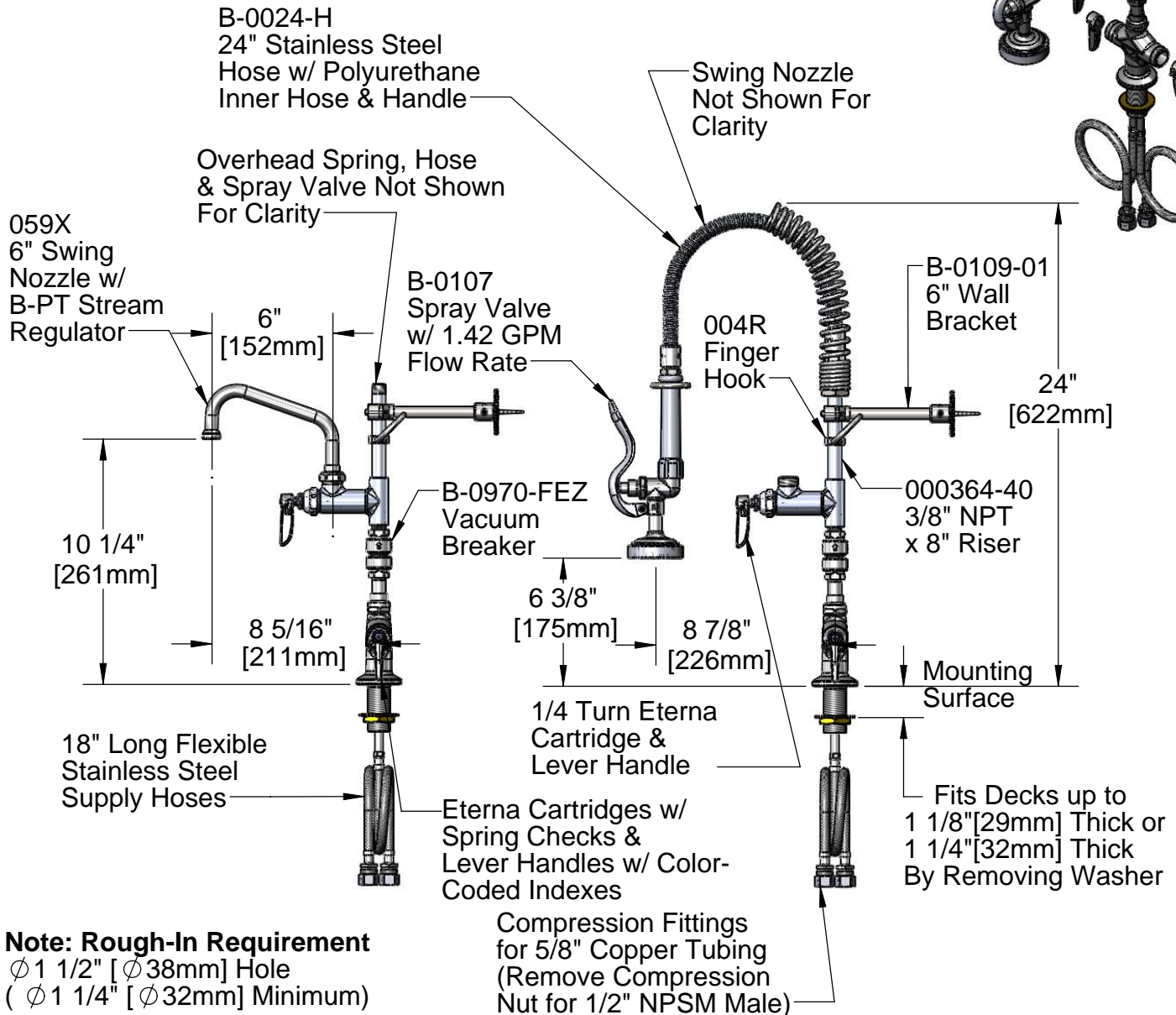
Model Specified _____ Quantity _____

Customer/Wholesaler _____

Contractor _____

Architect/Engineer _____

EPAct2005 Compliant
For Commercial Use Only



Product Specifications:

**Easy Install Pre-Rinse Unit:
Single Deck Mount Base Mixing Faucet, Add-On Faucet,
6" Swing Nozzle, Compact Spring & Flex Hose, B-0107
Spray Valve, 6" Wall Bracket, Lever Handles, & VB**

Drawn JRM	Checked DHL	Approved JHB
Scale: 1:8		Date: 10/02/09



T&S BRASS AND BRONZE WORKS, INC.

2 Saddleback Cove / P.O. Box 1088
Travelers Rest, SC 29690



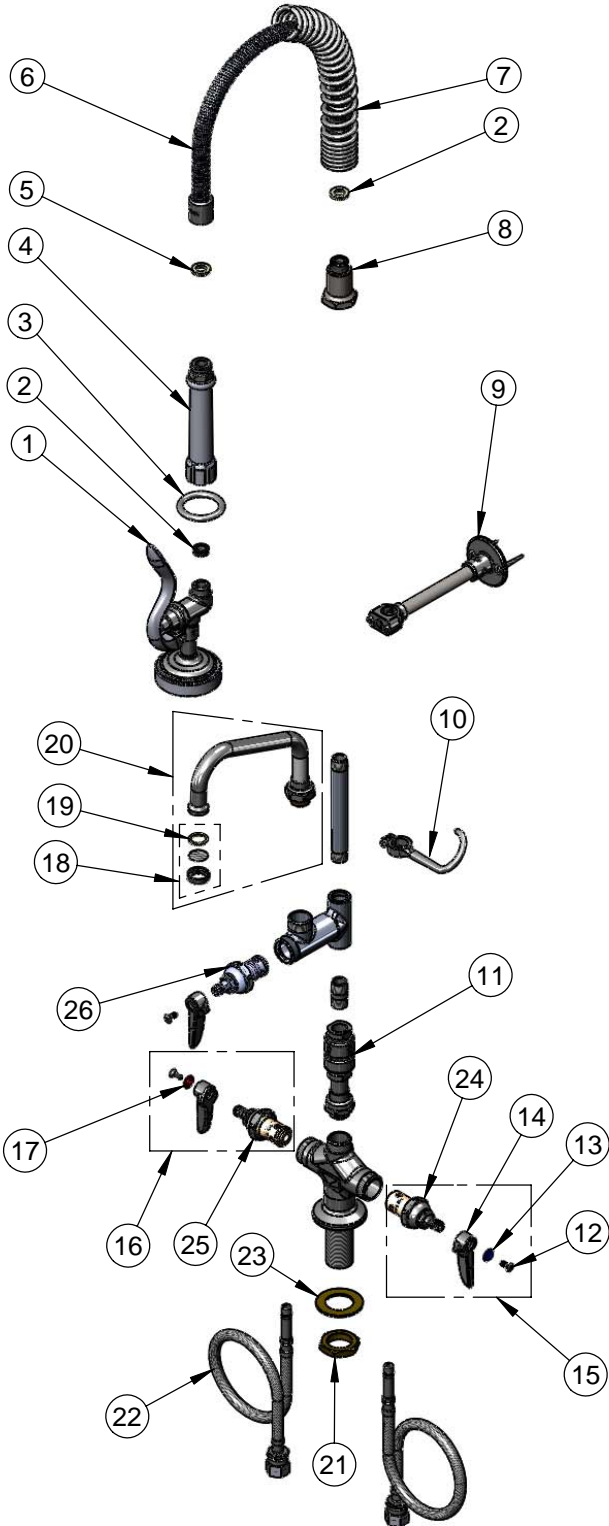
REG. #A2601
ISO #9001

Model No.

MPZ-2DLV-06

Item No.

Travelers Rest, SC: 800-476-4103 Simi Valley, CA: 800-423-0150 Fax: 864-834-3518 www.tsbrass.com



ITEM NO.	SALES NO.	DESCRIPTION
1	B-0107	1.42 GPM Spray Valve
2	010476-45	#27 Washer
3	000907-45	Spray Valve Hold Down Ring
4	002987-40	Grip Handle Assembly
5	001014-45	Washer, B-0100 Hose Barrel
6	B-0024-H2A	24" Flex Hose Asm. Less Handle
7	016795-45	Compact Spring
8	000821-40	Spring Body
9	B-0109-01	6" Wall Bracket Assembly
10	004R	Finger Hook Assembly
11	B-0970-FEZ	B-0970-FEZ Vacuum Breaker
12	000922-45	Lever Handle Screw
13	001660-45	Blue Index-CW
14	001638-45	Lever Handle
15	002711-40	Cold Eterna Spindle Asm w/ Spring Check, Handle, Index & Screw
16	002712-40	Hot Eterna Spindle Asm w/ Spring Check, Handle, Index & Screw
17	001661-45	Red Index-HW
18	B-PT	Stream Regulator Outlet
19	001048-45	Nozzle Tip Washer
20	059X	6" Swing Nozzle
21	000965-45	Lock Nut
22	012534-45	Flexible Connector Hose
23	002290-45	Lock Washer
24	012442-40	Cold Eterna Spindle Assembly w/ Spring Check
25	012443-40	Hot Eterna Spindle Assembly w/ Spring Check
26	007947-40	Quarter Turn Spindle Assembly

Product Specifications:

Easy Install Pre-Rinse Unit:
Single Deck Mount Base Mixing Faucet, Add-On Faucet,
6" Swing Nozzle, Compact Spring & Flex Hose, B-0107
Spray Valve, 6" Wall Bracket, Lever Handles, & VB

Drawn	Checked	Approved
JRM	DHL	JHB
Scale:		Date:
NTS		10/02/09