



T&S BRASS AND BRONZE WORKS, INC.

2 Saddleback Cove / P.O. Box 1088
Travelers Rest, SC 29690



REG. #A2601
ISO #9001

Model No.
MPZ-8WWN-08

Item No.

Travelers Rest, SC: 800-476-4103 Simi Valley, CA: 800-423-0150 Fax: 864-834-3518 www.tsbrass.com

This Space for Architect/Engineer Approval

Job Name _____ Date _____

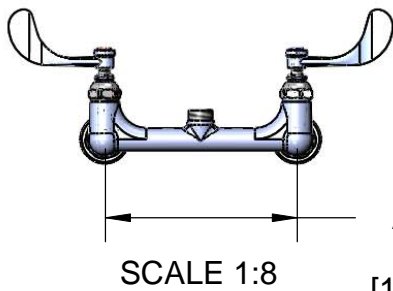
Model Specified _____ Quantity _____

Customer/Wholesaler _____

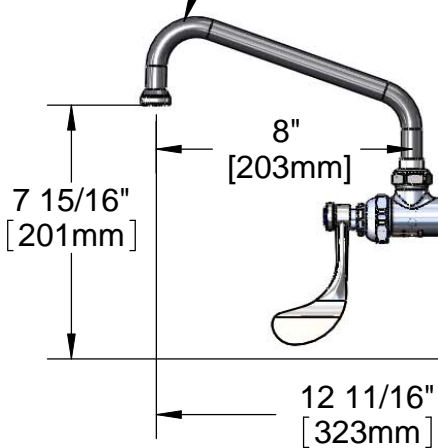
Contractor _____

Architect/Engineer _____

EPAct2005 Compliant
For Commercial Use Only



060X
8" Swing
Nozzle w/
B-PT Stream
Regulator



Eterna Cartridges w/
Spring Checks &
Wrist Action Handles

Overhead Spring, Hose
& Spray Valve Not Shown
For Clarity

B-0107
Spray Valve
w/ 1.42 GPM
Flow Rate

4 1/4"
[109mm]

Mounting
Surface

B-0024-H
24" Stainless Steel
Hose w/ Polyurethane
Inner Hose & Handle

004R
Finger
Hook

7 3/8"
[188mm]
9 13/16"
[249mm]
Eterna Cartridge &
Wrist Action Handle

Swing Nozzle
Not Shown For
Clarity

22 1/8"
[561mm]

078X
3/8" NPT
x 8" Riser

B-0109-01
6" Wall
Bracket

2"
[51mm]
Flanges
(1/2" NPT
Female Inlets)

Product Specifications:

EasyInstall Mini Pre-Rinse Unit:
8" Wall Mount Faucet w/ SC Eternas, Add-On Faucet,
8" Swing Nozzle, Compact Spring & Flex Hose, B-0107
Spray Valve, 6" Wall Bracket & Wrist Action Handles

Drawn JRM	Checked DMH	Approved JHB
Scale: 1:6	Date: 04/06/11	



T&S BRASS AND BRONZE WORKS, INC.

2 Saddleback Cove / P.O. Box 1088
Travelers Rest, SC 29690



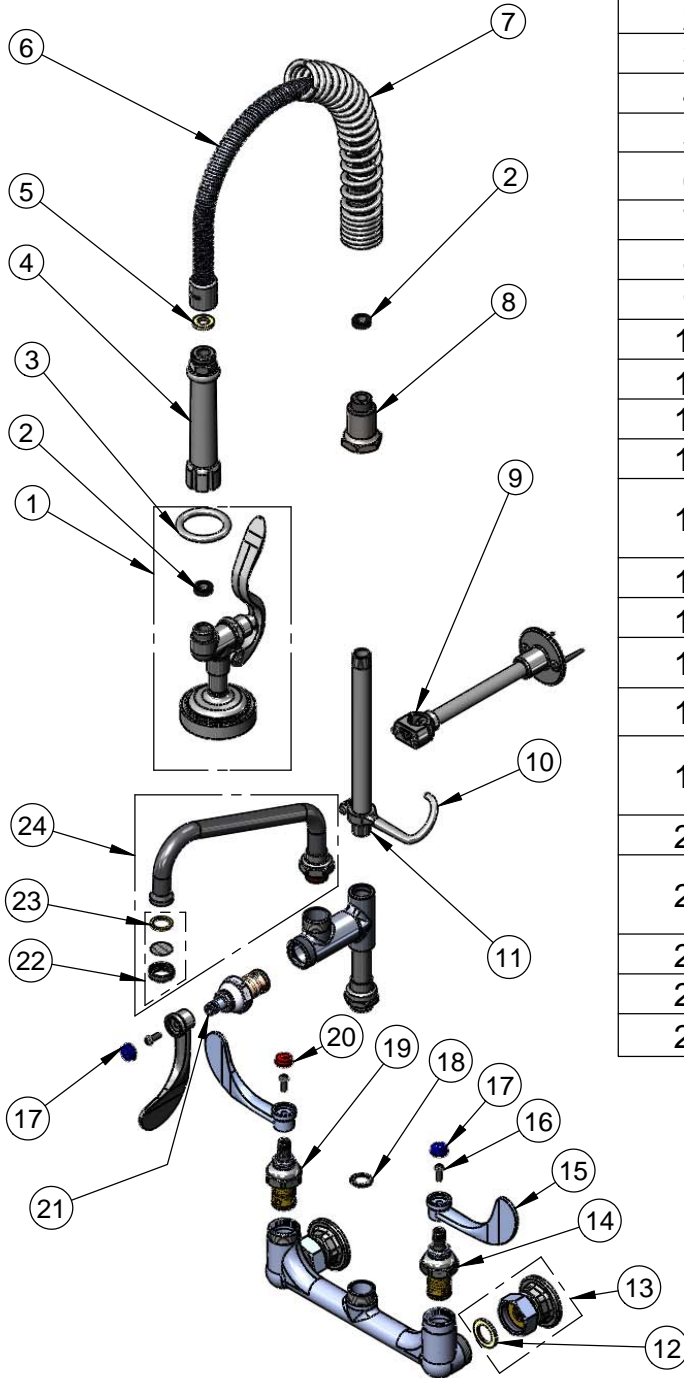
REG. #A2601
ISO #9001

Model No.

MPZ-8WWN-08

Item No.

Travelers Rest, SC: 800-476-4103 Simi Valley, CA: 800-423-0150 Fax: 864-834-3518 www.tsbrass.com



ITEM NO.	SALES NO.	DESCRIPTION
1	B-0107	1.42 GPM Spray Valve
2	010476-45	#27 Washer
3	000907-45	Hold Down Ring
4	002987-40	Grip Handle Assembly
5	001014-45	Washer, B-0100 Hose Barrel
6	B-0024-H2A	24" Flex Hose Less Handle
7	016795-45	Compact Pre-Rinse Spring
8	000821-40	Spring Body
9	B-0109-01	Bracket Assembly, 6" Wall
10	004R	Finger Hook
11	078X	3/8" x 8" Riser
12	001019-45	Coupling Nut Washer
13	00AA	00AA Flange Assembly
14	012442-40	Eterna Spindle Asm w/ Spring Check, Cold (LTC)
15	B-WH4	4" Wrist Action Handle
16	000925-45	Screw, Wrist Action Handle
17	001686-45	Cold, Snap-In Button
18	014200-45	SS Lockwasher for EasyInstall
19	012443-40	Eterna Spindle Asm w/ Spring Check, Hot (RTC)
20	001194-45	Hot, Snap-In Button
21	007947-40	Quarter Turn Spindle Assembly
22	B-PT	Stream Regulator Outlet
23	001038-45	Nozzle Tip Washer
24	060X	8" Swing Nozzle

Product Specifications:

EasyInstall Mini Pre-Rinse Unit:
8" Wall Mount Faucet w/ SC Eternas, Add-On Faucet,
8" Swing Nozzle, Compact Spring & Flex Hose, B-0107
Spray Valve, 6" Wall Bracket & Wrist Action Handles

Drawn	Checked	Approved
JRM	DMH	JHB
Scale:		Date:
NTS		04/06/11