

Project \_\_\_\_\_

Item Number \_\_\_\_\_

Quantity \_\_\_\_\_

**SL200LH / SL200LB**



**SL200LH / SL200LB  
SILVERLINE  
Spiral Mixers  
with Attached Lifter**

**Models:**

- SL200LH:** 440Lbs (200Kg) Spiral Mixer
- SL200LB:** 440Lbs (200Kg) Spiral Mixer



**SILVERLINE Spiral Mixer  
with Attached Lifter**

**Features:**

- Stainless steel bowl, spiral dough hook, and shaft
- Separate bowl and agitator motors
- Has two speeds and reverse function
- Control board has separate timers for 1st and 2nd speed
- Mixer is equipped with built in lifter for lifting and dumping of mixed product
- Lifter can tilt machine to the right or left (must specify when ordering)
- Difference between H and B models is the height of the lifter (one for bench top and one for hoppers)
- Safety switches protect operator from injury if bowl lid is open.
- Powerful belt drive provides low vibration, low noise, and economical maintenance for years of reliable service

**Univex Corporation**

Dough Capacity:

**SL200tilt:** 440lb (200kg)

Speeds:

**Dough hook:**

1st speed: 95rpm

2nd speed: 190rpm

**Bowl:**

1st speed: 15rpm

**Warranty:**

- One year, on-site parts and labor

**Warranty Details**

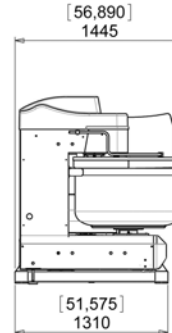
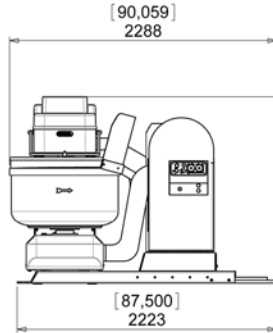
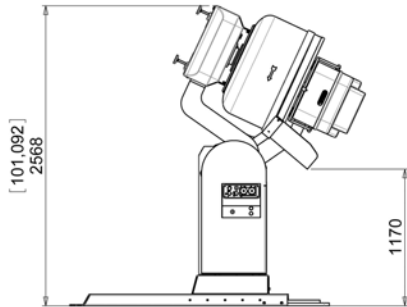
The SILVERLINE Spiral mixers carries a one-year, on-site parts and labor warranty against any flaws in materials and workmanship. This period begins on the date of the purchase and, provided the unit is used in accordance with our instructions, is in full effect for one year from that date. Any work performed under this warranty must be performed between the hours of 8am and 5pm Monday through Friday. Univex will not pay for overtime charges for work performed other than during normal business hours. Damage incurred in transit or from installation error, accident, alteration or misuse is not covered. Univex shall not be liable for any consequential compensatory, incidental, or special damages. Contact the Univex service department for any warranty claims.



Exacting Standards, Just Like yours, since 1948

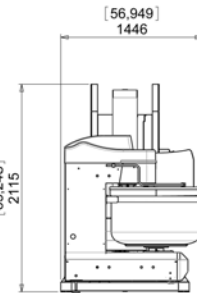
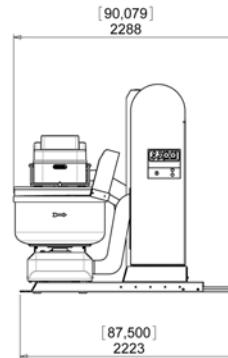
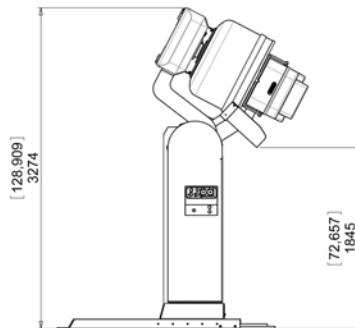
SILVERLINE Spiral Mixer with Attached Lifter

SL200tilt H/ SL200tilt B



SL200LB

SL200LH



Motor:

Spiral:

SL200LB: 14HP

SL200LH: 14HP

Bowl:

SL200LB: 1HP, 4.48A, .75KW

SL200LH: 1HP, 4.48A, .75KW

Lifter

SL200LB: 3HP

SL200LH: 3HP

Shipping Information:

	SL200LH	SL200LB
Freight Class:	85	85
Net Weight:	4,299Lbs (1950Kg)	3,637Lbs (1650Kg)

Electrical: 380V/60Hz/3P (Contact factory for alternate voltages)

Controls: Control panel with manual timers. Separate timers for high and low speed. Security key for manual use. Bowl reverse direction switch.

Transmission: Heavy duty low noise, low vibration belt drive

Bowl Guard: Swings open for full access to bowl. Guard must be closed for mixer operation



Univex Corporation  
www.Univexcorp.com

3 Old Rockingham Rd  
Salem, NH 03079  
United States of America

Telephone (800) 258-6358  
Intl Tel. (603) 8936191  
Fax (800) 356-5614  
Intl Fax (603) 8931249