



Project:

Item Number:

Quantity:

Modular Drop-In: Four Well Hot

The Vollrath Company, L.L.C.

**MODULAR DROP-IN: FOUR WELL HOT**



Modular Drop-In: Four Well Hot

**DESCRIPTION**

The modular drop-in is designed for top-mount installation and does not require hard-wiring. The drop-in comes complete with a 6-ft. (182.8 cm) power cord with plug and a 4-ft. (121.9 cm) control cord for remote installation.

Full-perimeter drip-edge contains spills and condensation within the stainless steel countertop area of the drop-in. Drip-edge adds additional strength to the flange area.

Drop-in can operate wet or dry, however, moist operation is recommended for even heating of the food product. It meets NSF4 performance standards when using moist heat.

High-density glass-fiber insulation allows zero-clearance installation and use of 625W elements for lower energy consumption and reduced costs. Also available with 1000W elements.

Stainless steel wells are 6<sup>3</sup>/<sub>8</sub>" (16.2 cm) deep to allow use of full-size and fractional pans up to 6" (15.2 cm) deep while still providing moist heat. Adaptor bars are recommended when using fractional pans.

**WARRANTY:** All models shown come with Vollrath's standard warranty against defects in materials and workmanship. For full warranty details, please refer to the Vollrath Equipment and Smallwares Catalog.

**Agency Listings**



Due to continued product improvement, please consult [www.vollrathco.com](http://www.vollrathco.com) for current product specifications.

MODELS	1000W Per Well	625W Per Well	Drain	Auto-Fill
120V Infinite Control		36406	Standard	-
		3640650	Manifold	-
		3640660	Manifold	Yes
120V Thermostatic Control		3640610	Standard	-
		3640670	Manifold	-
		3640680	Manifold	Yes
208V Infinite Control		36407	Standard	-
		3640750	Manifold	-
		3640760	Manifold	Yes
208V Thermostatic Control		3640710	Standard	-
		3640770	Manifold	-
		3640780	Manifold	Yes
208-240V Infinite Control	3640701		Standard	-
	3640751		Manifold	-
	3640761		Manifold	Yes
208-240V Thermostatic Control	3640711		Standard	-
	3640771		Manifold	-
	3640781		Manifold	Yes
240V Infinite Control		36474	Standard	-
		3647450	Manifold	-
		3647460	Manifold	Yes
240V Thermostatic Control		3647410	Standard	-
		3647470	Manifold	-
		3647480	Manifold	Yes

**FEATURES**

- Top is 18-gauge stainless steel, with 3/8" (9.5 mm) overhang on all sides and die-stamped with full-perimeter drip-edge.
- Breaker gasket included for installation under drip-edge.
- Flat work surface around opening.
- Deep drawn well is 20-gauge stainless steel, 6<sup>3</sup>/<sub>8</sub>" (16.2 cm) deep.
- Standard 1000W or 625W heating element.
- Infinite or thermostatic control.
- Power indicator light.
- Standard drain is 1/2" (1.3 cm) stainless steel fitting welded to pan with ball valve shutoff below exterior housing.
- Manifold drain option is 1" (2.5 cm) copper tubing and retains individual well shut-off and adds manifold shutoff.
- Unit insulated on sides, between wells, and below element assembly with high-density glass fiber insulation.
- Exterior housing is 20-gauge galvanized steel.
- Drop-in is supplied with stainless steel control panel connected to bottom of unit for shipping.
- Control panel may remain on unit or be remote mounted.
- Control wires contained in flexible rubber cord.
- Unit comes with cord and plug and does not require hard-wiring installation.
- Positioning clips provided to center drop-in within cutout.
- Standard mounting clips adjustable for up to 3" (7.6 cm) thick counters.
- Full one-year parts and labor warranty.
- Sheet pan adapter available. Item No. 19186.

Approvals	Date



Setting the Standard™

[www.vollrathco.com](http://www.vollrathco.com)

The Vollrath Company, L.L.C.  
 1236 North 18th Street  
 Sheboygan, WI 53081-3201 U.S.A.  
 Customer Service: 800.628.0830  
 Canada Customer Service: 800.695.8560  
 Main Fax: 800.752.5620 or 920.459.6573

Technical Services: 800.628.0832  
 Technical Services Fax: 920.459.5462

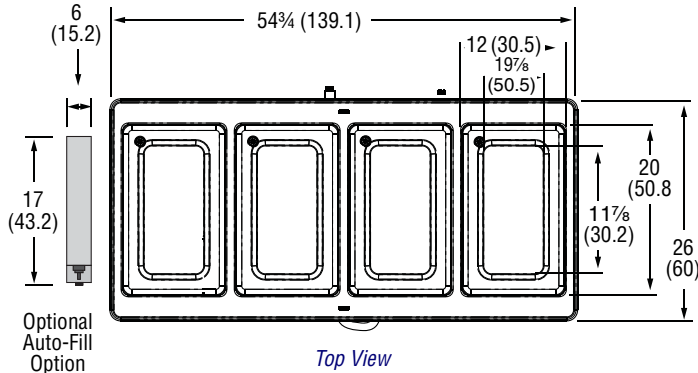
# MODULAR DROP-IN: FOUR WELL HOT

## AUTO-FILL OPTION

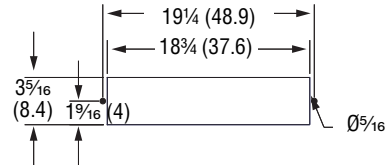
Field-installed option that efficiently maintains a constant water level. Eliminates the need to monitor wells and add water, reducing operating and labor costs. Attaches easily to manifold drain assembly using simple tools. The check valve/siphon prevents cross contamination of drain and potable water lines. NOTE: The auto-fill reservoir is approximately 6 x 17 (15.2 x 43.2) and requires additional space in the cabinet.

## DIMENSIONS

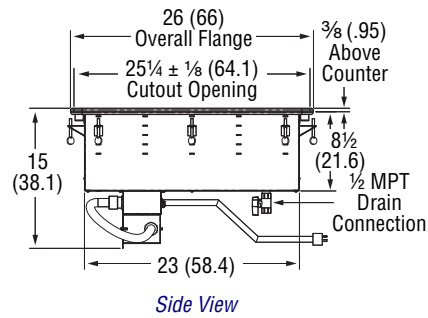
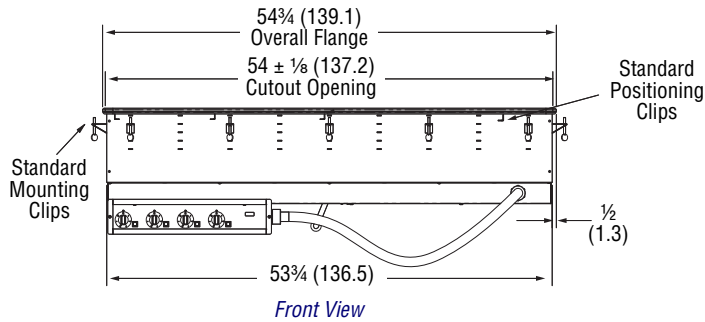
- Cutout Dimensions: 27½" x 25¼" (69.9 cm x 64.1 cm). Opening cutout must have a 7/8" (2.2 cm) corner radius.



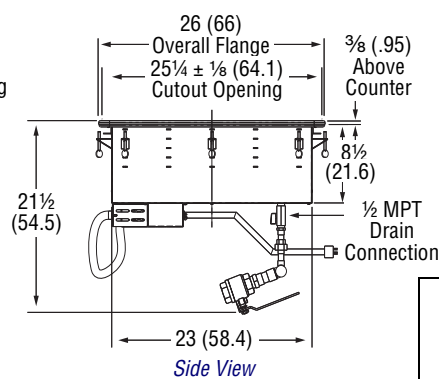
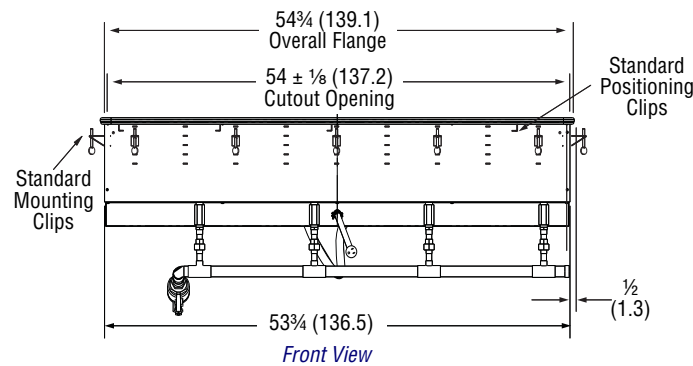
### Control Panel Cutout +.063/-0 (+.160/-0) Tolerance



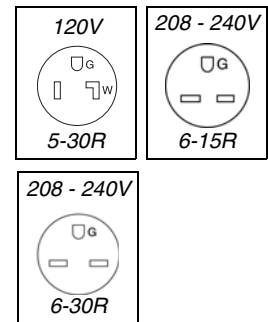
### Standard Drain



### Manifold Drain



### Receptacles



## ELECTRICAL SPECIFICATIONS

Model	Watts Per Well	Total Watts	Volts	Nominal Amps	NEMA Plug
36406, 3640650, 3640660, 3640610, 3640670, 3640680	625	2500	120V AC	20.8	5-30P
36407, 3640750, 3640760, 3640710, 3640770, 3640780	625	2500	208V AC	12	6-15P
3640701, 3640751, 3640761, 3640711, 3640771, 3640781	1000	3000 - 4000	208 - 240V AC	14.4 - 16.7	6-30P
36474, 3647450, 3647460, 3647410, 3647470, 3647480	625	2500	240V AC	10.4	6-15P



The Vollrath Company, L.L.C.  
1236 North 18th Street  
Sheboygan, WI 53081-3201 U.S.A.  
Customer Service: 800.628.0830  
Canada Customer Service: 800.695.8560  
Main Fax: 800.752.5620 or 920.459.6573

Technical Services: 800.628.0832  
Technical Services Fax: 920.459.5462