



**Project:**

**Item Number:**

**Quantity:**

**MODULAR DROP-IN: BAIN MARIE HOT**



*Modular Drop-in: Bain Marie Hot*

**DESCRIPTION**

The bain marie style is ideal for use with templates and greater than full-size steam table pans.

The modular bain marie drop-in is designed for top-mount installation and does not require hard-wiring. The drop-in comes complete with a 6-ft. (182.8 cm) power cord with plug and a 4-ft. (121.9 cm) control cord for remote installation.

Full-perimeter drip-edge contains spills and condensation within the stainless steel countertop area of the drop-in. Drip-edge adds additional strength to the flange area.

The drop-in operates wet. Moist operation is recommended for even heating of the food product. Meets NSF4 performance standards when using moist heat. Since the bain marie is a steam table unit, fill with up to 1/2" (1.3 cm) of water for proper usage.

High-density, glass-fiber insulation allows zero-clearance installation and 625W elements lower energy consumption and reduce cost.

Stainless steel wells are 6 5/8" (16.8 cm) deep to allow use of full-size and fractional pans up to 6" (15.24 cm) deep while still providing moist heat. Adaptor bars are recommended when using fractional pans.

**Note: Modular drop-ins cannot be cancelled or returned.**

**Agency Listings**



*Due to continued product improvement, please consult [www.vollrathco.com](http://www.vollrathco.com) for current product specifications.*

**MODELS**

Description	Watts	120V	208V	240V
		Item No.	Item No.	Item No.
Two-pan	1250	36500	36501208	36501240
Three-pan	1875	36502	36503208	36503240
Four-pan	2500	–	36504208	36504240
Five-pan	3125	–	36505208	36505240
Six-pan	3750	–	36506208	36506240

**FEATURES**

- Top is 18-gauge, 300 Series stainless steel, with 3/8" (9.52 mm) overhang on all sides and die-stamped with full-perimeter drip-edge
- Gasket included for installation under drip-edge
- Flat work surface around opening
- Well is 6 5/8" (16.8 cm) deep, 18-gauge, 300 Series stainless steel
- Standard 625W heating element
- Thermostatic control
- Power indicator light
- Standard drain is 1" (2.5 cm) NPT with ball valve shutoff below exterior housing
- Unit insulated on sides and below element assembly with high-density glass fiber insulation
- Exterior housing is 20-gauge galvanized steel
- Drop-in is supplied with stainless steel control panel connected to bottom of unit for shipping
- Control panel may remain on unit or be remote mounted
- Control wires contained in flexible rubber cord
- Unit comes with cord and plug and does not require hard-wiring installation
- Positioning clips provided to center drop-in within cutout
- Standard mounting clips adjustable for up to 3" (7.6 cm) thick counters
- 6-ft. (182.8 m) cord with plug
- Full one-year parts and labor warranty
- Miramar™ templates available

**WARRANTY:** All models shown come with Vollrath's standard warranty against defects in materials and workmanship. For full warranty details, please refer to the Vollrath Equipment and Smallwares Catalog.

Approvals	Date



Setting the Standard™

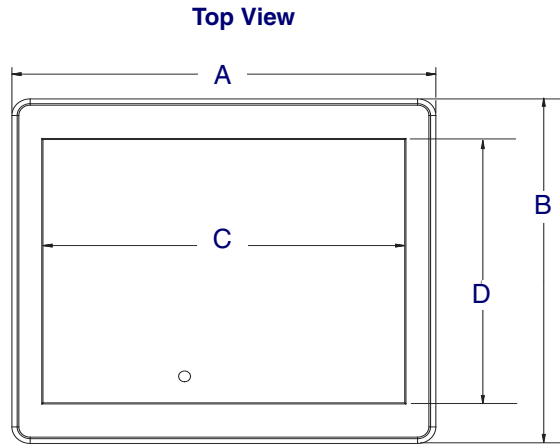
[www.vollrathco.com](http://www.vollrathco.com)

The Vollrath Company, L.L.C.  
 1236 North 18th Street  
 Sheboygan, WI 53081-3201 U.S.A.  
 Customer Service: 800.628.0830  
 Canada Customer Service: 800.695.8560  
 Main Fax: 800.752.5620 or 920.459.6573

Technical Services: 800.628.0832  
 Technical Services Fax: 920.459.5462

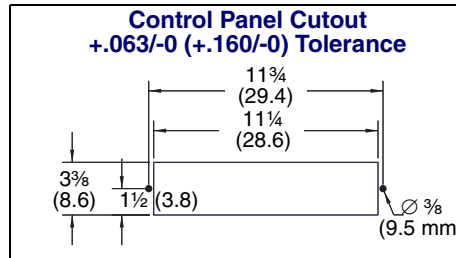
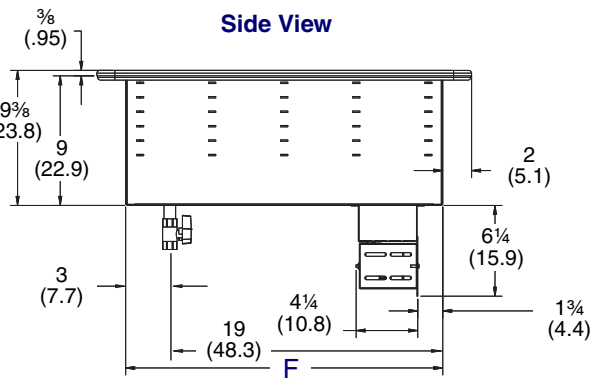
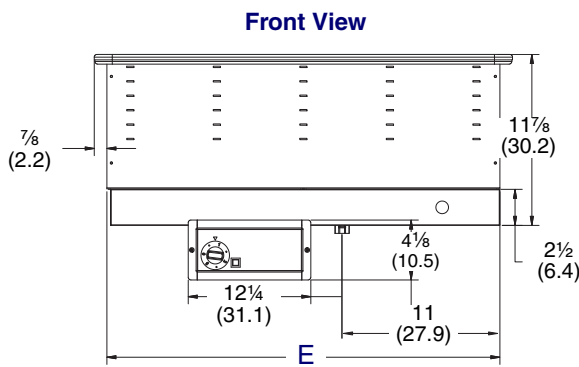
# MODULAR DROP-IN: BAIN MARIE HOT

**DIMENSIONS:** Shown in inches (centimeters).



Item No.	(A) Overall Length	(B) Overall Width	(C) Well Length	(D) Well Width	(E) Base Length	(F) Base Width	Cutout Length	Cutout Width			
36500	29 (73.7)	26 (66)	24 <sup>3</sup> / <sub>4</sub> (62.9)	19 <sup>7</sup> / <sub>8</sub> (50.5)	27 <sup>1</sup> / <sub>4</sub> (69.2)	22 (55.8)	27 <sup>1</sup> / <sub>2</sub> (70.5)	24 <sup>3</sup> / <sub>4</sub> (62.9)			
36501208			37 <sup>1</sup> / <sub>2</sub> (95.3)		40 (102.9)				41 (104.1)		
36501240					50 <sup>1</sup> / <sub>4</sub> (127.6)					54 <sup>1</sup> / <sub>4</sub> (137.8)	
36502	63 (160)						67 <sup>1</sup> / <sub>2</sub> (171.5)				
36503208	75 <sup>3</sup> / <sub>4</sub> (192.4)		80 <sup>3</sup> / <sub>4</sub> (205.1)								
36503240	54 <sup>3</sup> / <sub>4</sub> (139.1)		68 (172.7)		81 <sup>1</sup> / <sub>4</sub> (206.4)						
36504208	68 (172.7)										
36504240	81 <sup>1</sup> / <sub>4</sub> (206.4)										
36505208											
36505240											
36506208											
36506240											

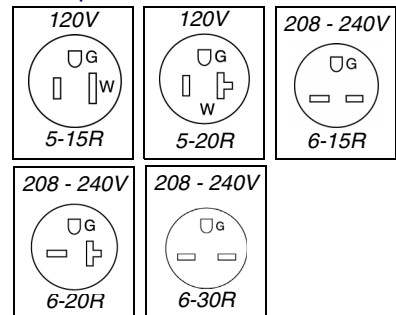
Opening cutout must have 7/8" (2.2 cm) corner radius.



## ELECTRICAL SPECIFICATIONS

Description	Item No.	Total Watts	Volts	Amps	NEMA Plug
Two-pan	36500	1250	120	10.4	5-15P
	36501208		208	6	6-15P
	36501240		240	5.2	6-15P
Three-pan	36502	1875	120	15.6	5-20P
	36503208		208	9	6-15P
	36503240		240	7.8	6-15P
Four-pan	36504208	2500	208	12	6-20P
	36504240		240	10.4	6-15P
Five-pan	36505208	3125	208	15	6-20P
	36505240		240	13	6-20P
Six-pan	36506208	3750	208	18	6-30P
	36506240		240	15.6	6-20P

## Receptacles



www.vollrathco.com

The Vollrath Company, L.L.C.  
1236 North 18th Street  
Sheboygan, WI 53081-3201 U.S.A.  
Customer Service: 800.628.0830  
Canada Customer Service: 800.695.8560  
Main Fax: 800.752.5620 or 920.459.6573

Technical Services: 800.628.0832  
Technical Services Fax: 920.459.5462