



Project:

Item Number:

Quantity:

### CAYENNE® STANDARD-DUTY 10LB ELECTRIC FRYERS



40705



40707

Cayenne® Standard-Duty Electric Fryers

#### MODELS

- 40705 Fryer 10 lb.
- 40706 Fryer 10 lb.
- 40707 Fryer, 2 x 10 lb.
- 40708 Fryer, 2 x 10 lb.

#### FEATURES

- Dual unit provides increased volume and separation of food types to prevent flavor transfer from oil
- Ideal for small pubs, colleges, and product-specific applications
- Lift-out, one-piece stainless steel tank with carrying handles for easier cleaning
- Minimal footprint to accommodate tight counter spaces
- Thermostatically controlled to 375° F (190° C)
- Automatic thermal overload shutoff at 390° F (199° C) for safety
- Micro-switch shuts down unit for safety when element box is removed
- Quick heat-up and temperature recovery time between loads
- Nickel-plated steel wire basket with cool-touch handle
- "Power On" indicator light
- Non-skid rubber feet prevent slipping
- Ships with two baskets per unit

#### DESCRIPTION

Vollrath deep fat fryers are designed to create a delicious variety of crisp fried food with minimal fuss. Delight your customers with french fries, chicken, seafood, and more.

#### Agency Listings



Due to continued product improvement, please consult [www.vollrathco.com](http://www.vollrathco.com) for current product specifications.

#### Approvals

<b>Date:</b>
--------------

Cayenne® Standard-Duty 10lb Electric Fryers

The Vollrath Company, L.L.C.



Setting the Standard™

[www.vollrathco.com](http://www.vollrathco.com)

The Vollrath Company, L.L.C.  
 1236 North 18th Street  
 Sheboygan, WI 53081-3201 U.S.A.  
 Customer Service: 800.628.0830  
 Canada Customer Service: 800.695.8560  
 Main Fax: 800.752.5620 or 920.459.6573

Technical Services: 800.628.0832  
 Technical Services Fax: 920.459.6573

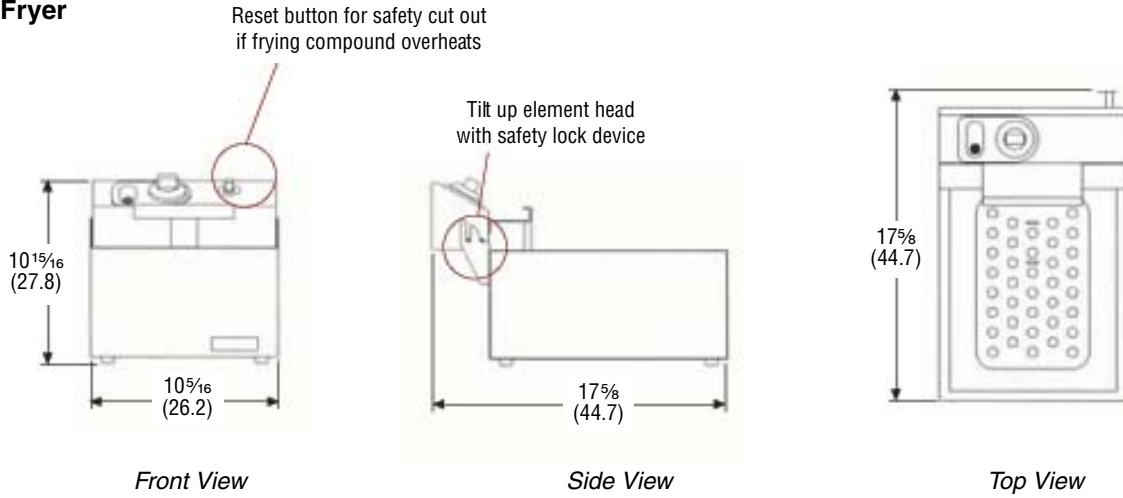
# CAYENNE® STANDARD-DUTY 10LB ELECTRIC FRYERS

<b>MODELS</b>	40705 Fryer 10 lb.	40707 Fryer, 2 x 10 lb.
	40706 Fryer 10 lb.	40708 Fryer, 2 x 10 lb.

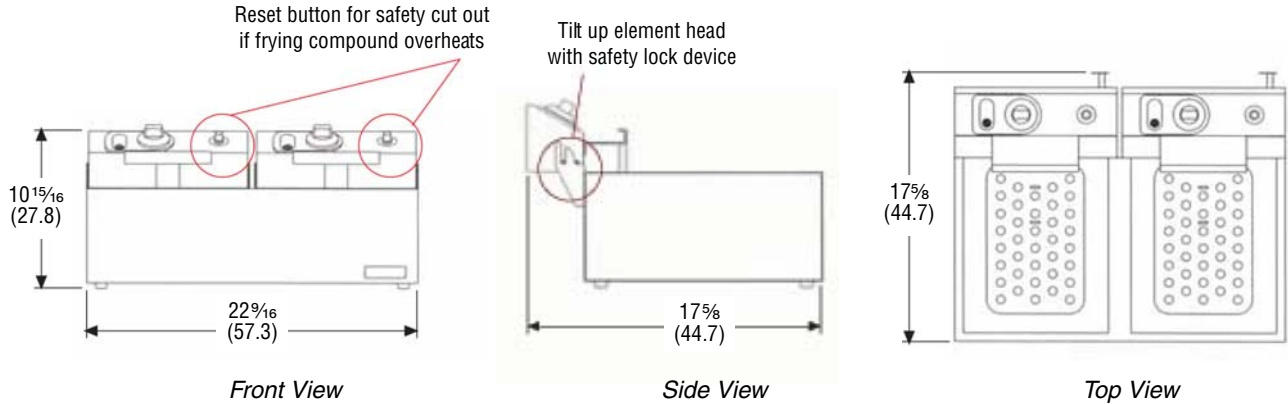
## DIMENSIONS

Dimensions shown in inches (cm).

### 10 Lb. Fryer



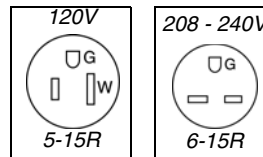
### 2 x 10 Lb. Fryer



## SPECIFICATIONS

Item	Number of Wells	Watts	Volts	Amps	Plug
40705	1	1800	120	15	5-15P
40706	1	2500	220	11.3	6-15P
40707	2	1800 per well	120	15 per well	5-15P
40708	2	2500 per well	220	11.3 per well	6-15P

### Receptacles



www.vollrathco.com

The Vollrath Company, L.L.C.  
 1236 North 18th Street  
 Sheboygan, WI 53081-3201 U.S.A.  
 Customer Service: 800.628.0830  
 Canada Customer Service: 800.695.8560  
 Main Fax: 800.752.5620 or 920.459.6573

Technical Services: 800.628.0832  
 Technical Services Fax: 920.459.6573