

# Carts & Kiosks - Hand Sink Cart

Contact Your Vollrath  
Sales Representative  
for Custom Carts  
& Kiosks!

Carts & Kiosks—Hand Sink Cart

**Option:** Base color option

- lamine (one color) all sides
- painted base (one color) all sides
- digital graphics (artwork supplied by customer) on front and/or sides

**Standard:** Matching backsplash

**Standard:** Heavy duty paddle latch doors (qty. 2)

**Standard:** Choice of single, double or triple bay sink

**Standard:** Polyform countertop

**Option:** 1" (2.5cm) bumper (all sides)

**Standard:** Heavy-duty casters

**Standard:** All aluminum composite material construction

- Standard black or silver (specify)
- Matching toe kick

**Standard:** Permanent counter-mounted water system including 5 gallon fresh water tank, 7½ gallon wastewater tank, 2½ gallon water heater, pump and plumbing

Item 75673 — Triple bay hand sink cart shown with modular options



Item 75684 — Single Bay Hand Sink Cart

**Standard Feature (Not Shown)**

- Open storage (front)
- 120V 20AMP cord/plug, NEMA 5-20

**Optional Feature (Not Shown)**

- 16" x 16" (40.64 x 40.64cm) fold-down polyform shelf

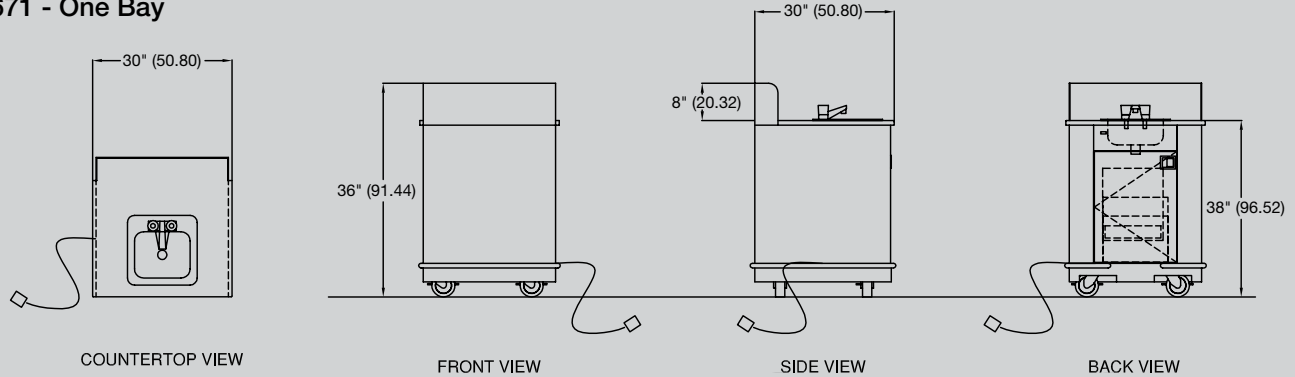


Setting  
the Standard™

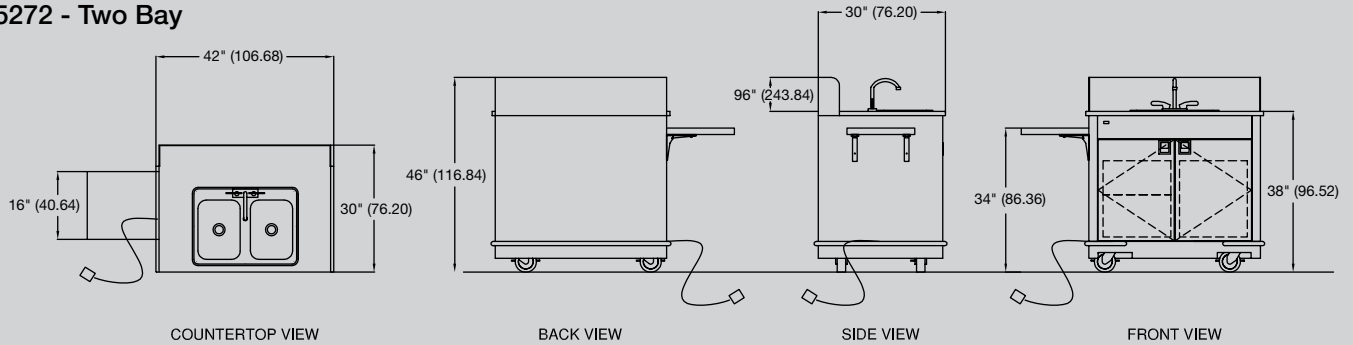
# Carts & Kiosks - Hand Sink Cart

Hand Sink Cart — Dimensions shown in IN (CM)

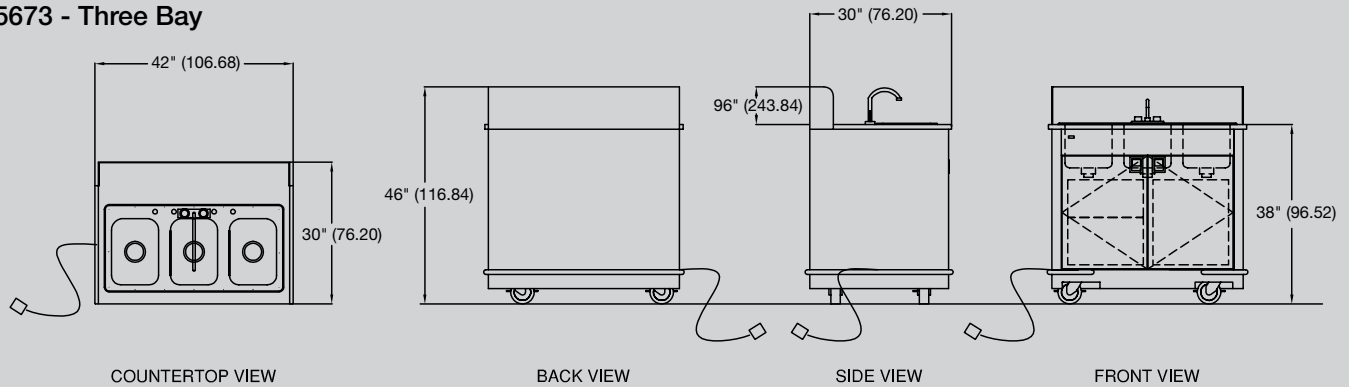
## 75671 - One Bay



## 75272 - Two Bay



## 75673 - Three Bay



Receptacles



The Vollrath Company, L.L.C.  
 1236 North 18th Street  
 Sheboygan, WI 53081-3201 USA  
 Customer Service: 800.628.0830  
 Equipment Service: 800.628.0832  
 Main PH: 920.457.4851  
 Fax: 920.459.6573  
 Form L35700 Rev 4/09



Setting  
the Standard™