

6260



MODEL 6260

SOFT SERVE FREEZER

Twin twist flavor, Floor, Gravity feed,
Microprocessor control, Independent refrigeration and
control system for each flavor

Product Offering

Offer all popular soft serve variations from low or
non-fat ice cream to custards, yogurt and sorbet

Freezing Cylinder

Two, 3.2 Liter (3.38 quarts)

Mix Hopper

Two, 15 Liters (15.9 quarts)

Separate hopper refrigeration maintains mix
temperature below 4.4°C (40°F) during Cool and
Standby modes.

Mix Low Indicator

When mix level is low, the Mix Low light turns "ON"
to alert operator to add mix.

Standby

Maintains product temperature in the mix hoppers
and freezing cylinders below 4.4°C (40°F) during
long no-use periods.

Microprocessor Controls

Automatically regulates refrigeration and maintains
consistent product quality by controlling product
temperature and viscosity.

Counter

Records number of dispenses per day and total
number of dispenses.

Temperature Display

Displays hopper and cylinder temperature; helps
control product safety

Output

78 Quarts/Hour

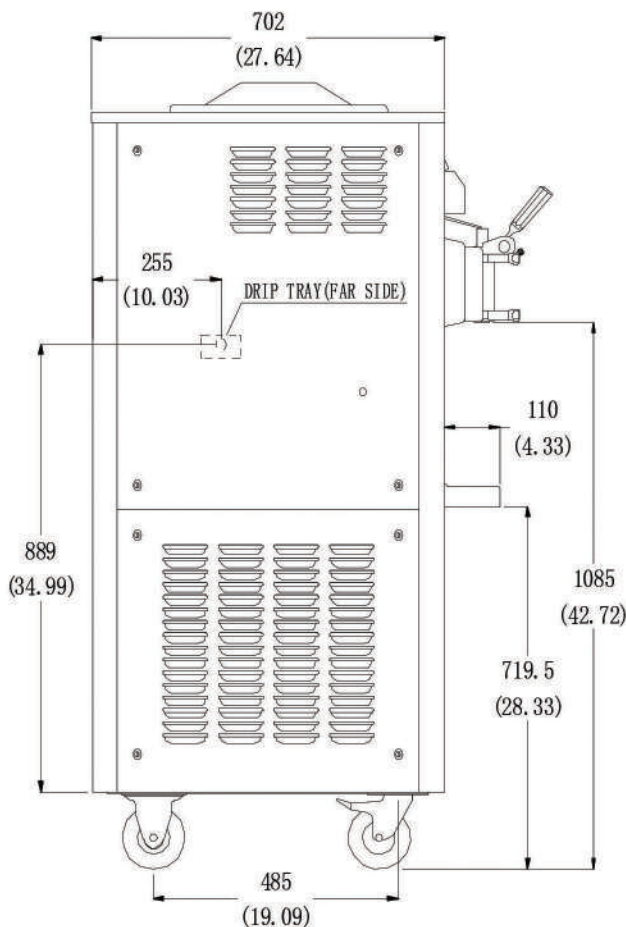
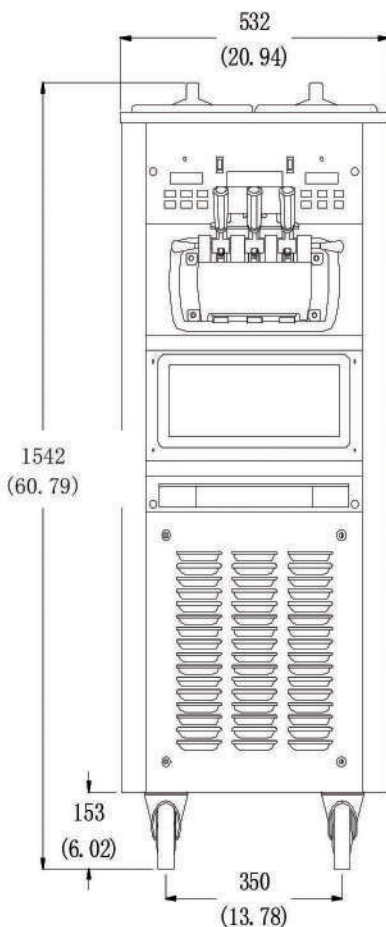
Safety Protections

- Low temperature and motor overload cutouts
protect from cylinder over freezing.
- High pressure switch prevents compressor overheat
- Thermal overload protects from motor overheat



Flexible Blade Beater (Standard)
Higher Capacity, Higher Overrun





Weight	Kg/lb
Net	208 / 459
Shipping	228 / 503

Packaging Volume 1.09 CBM / 38.56 CBF

Dimensions	Net (mm/in)	Shipping (mm/in)
Width	532 / 20.9	890 / 35.0
Depth	702 / 27.6	705 / 27.8
Height	1542 / 60.8	1740 / 68.5

Electrical	Maximum Fuse Size	Min. Circuit Ampacity	Poles (P) Wires(W)
208-230/60/1	30	24	2P/3W
208-230/60/3	30	21	3P/4W

PLUG: 3 PHASE L15-30 STANDARD
1 PHASE L6-30 OPTIONAL FOR ADD CHARGE

*This unit may be manufactured in other electrical characteristics. Refer to the local Distributor for availability.
(For exact electrical information, always refer to the data label of the unit.)*

Note
Continuing research results in steady improvements; therefore these specifications are subject to change without notice.

Specifications

Electrical
One dedicated electrical connection is required. Unit shall be cord connected or permanently connected. Consult your local Spaceman distributor for available cord & receptacle specifications as per local codes.

Motor
Two, 1.0HP

Refrigeration System
Main Compressor: One, 10,000BTU/HR, R404A

Separate Hopper Cooling Compressor:
One, 480 BTU/HR, R134A
(BTUs may vary depending on compressor used.)

Air Cooled
Minimum clearance of 152mm (6") on unit left, right and back sides is required to achieve optimum performance.

- Options**
- Water Cooled.
 - Local language Control systems: English, French, Spanish, German, Dutch, Czech, Chinese.