



PRODUCT: \_\_\_\_\_

SKU NUMBER: \_\_\_\_\_

QUANTITY: \_\_\_\_\_



300-5113 2.2 gpm / 8.3 lpm @ 1100 psi / 76 bars

300-5111 2.9 gpm / 11 lpm @ 850 psi / 59 bars

## FEATURES

- Thermal Relief Valve 120°F / 49°C Max Water Temp
- Gun Hanger
- Hose Hanger
- Chemical Basket
- Adjustable Single Chemical Injection, Dual Chemical Option Available
- 35 ft GFCI Power Cord
- 30 ft Steel Braided High Pressure Hose
- 36 in Stainless Spray Gun and Wand Assembly
- 3 Cylinder CAT® SuperFlow Plunger Pump
- Industrial 2HP Totally Enclosed Motor & Fan Cooled
- 115 Volt / 60Hz / 1 phase / 15 Amps
- 850 psi / 2.9 gpm
- 1100 psi / 2.2 gpm

SMT - 600PE Portable Pressure Washer

**Spray Master Technologies®**

**TOLL FREE: 800.548.3373**

115 E. LINDEN, ROGERS, ARKANSAS 72756 USA

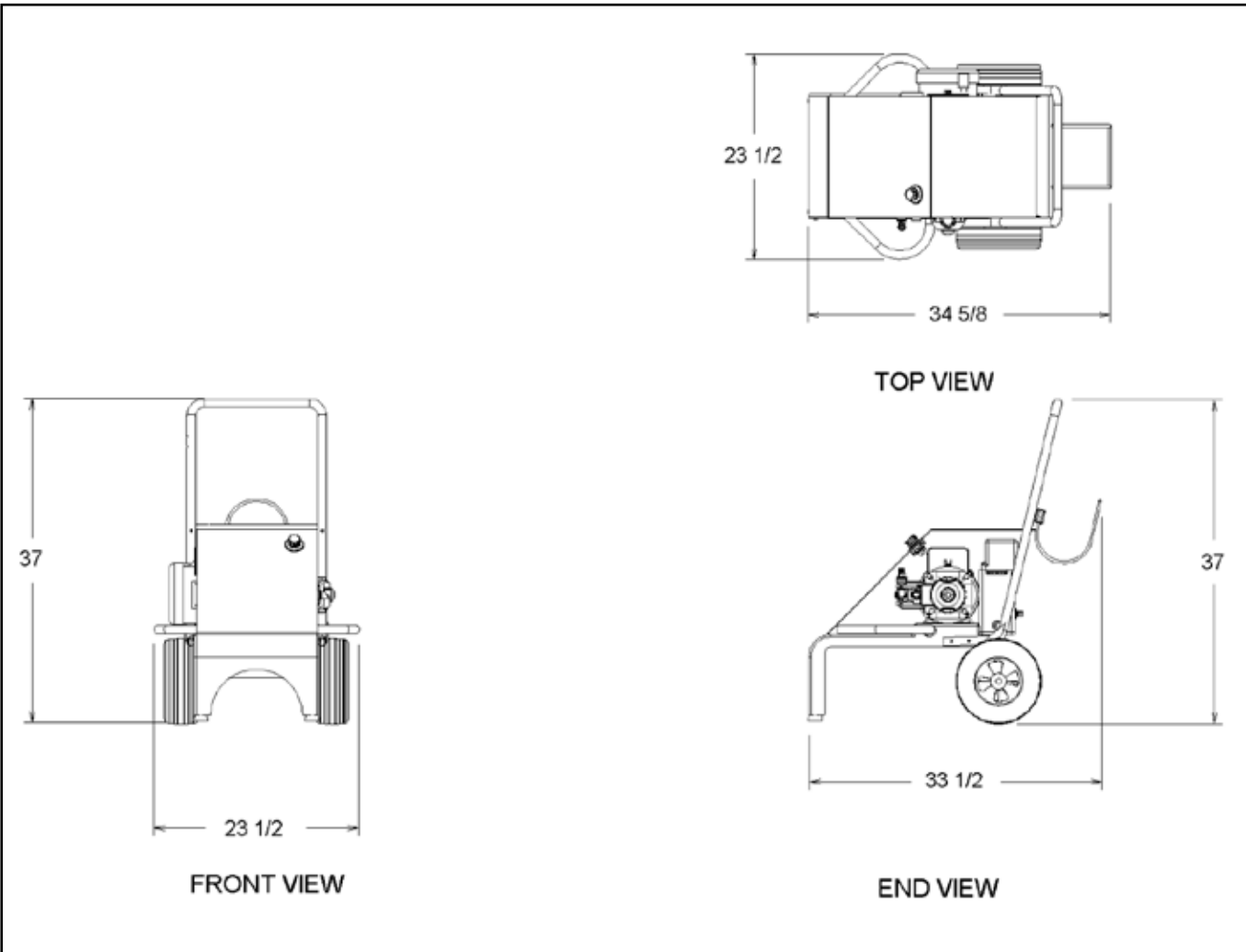
PHONE: +1 479.636.5776

FAX: +1 479.636.3245

**WWW.SPRAYMASTERTECH.COM**



SMT - 600PE Portable Pressure Washer



Equipment Specifications

Plumbing

3/4 in / 2 cm Hose Bib with 5 gpm / .14 lpm @ 30 psi / 20.6 bars. 120°F / 49°C Max

Electrical

115V, 16A Dedicated Circuit