



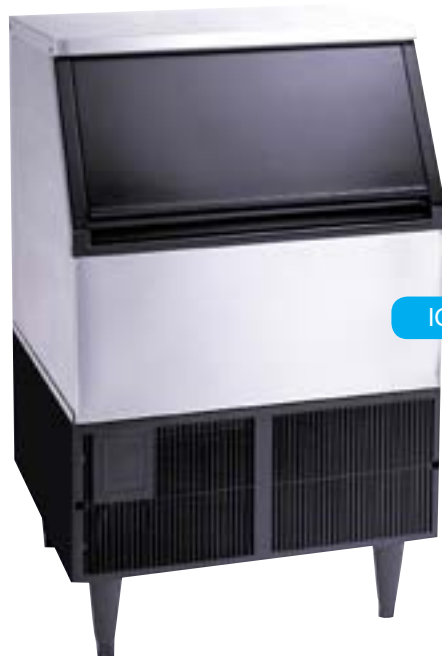
ICSU-50



ICSU-90



ICSU-140



ICSU-250

FEATURES

Exceptionally versatile and dependable ice includes a self-contained storage bin. The stainless steel construction provides durability to the unit. The unit is low-maintenance and easy to clean. The unit produces clear ice that works great for applications in homes, restaurants, bars, hotels, grocery stores, and more. Front breathing construction is suitable for free-standing or built in applications. This unit will run on standard household electrical current and is ETL and UL approved for commercial use. The unit combines high output and capacity with a self-contained, compact design.

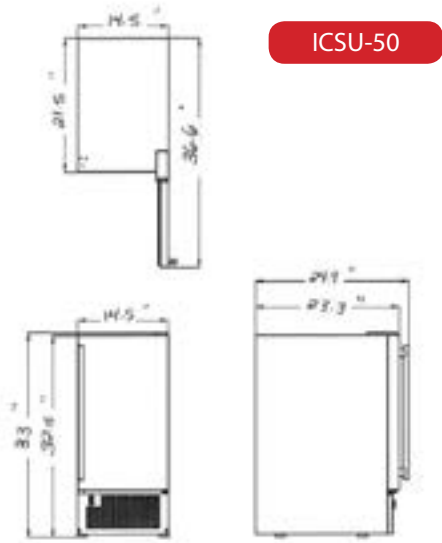
- Produces crystal clear ice
- Designed for household or commercial use
- Stainless steel exterior
- Foamed in place insulation
- Embraco condenser
- For freestanding or built-in applications
- Requires use of a drain
- Water filter recommended
- Air-cooled condenser
- Easy to use automatic cleaning setting

UNDERCOUNTER MODELS

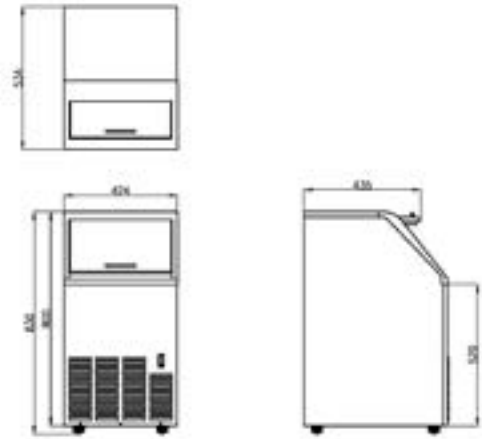


WATER FLOW ICE MACHINE

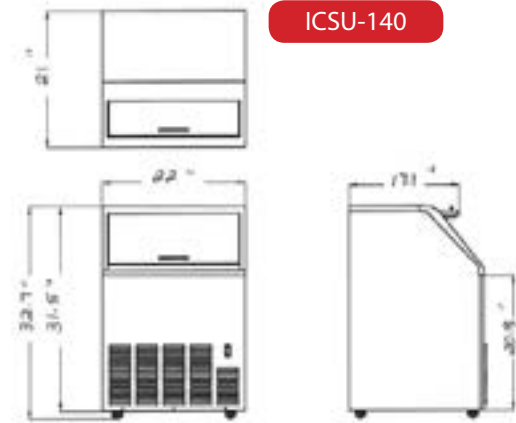
UNDERCOUNTER MODELS



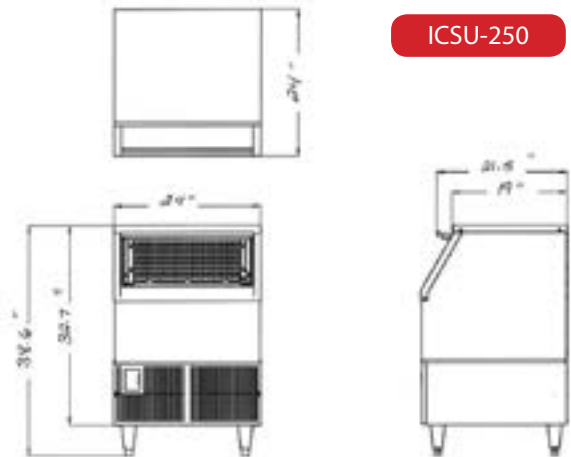
ICSU-50



ICSU-90



ICSU-140



ICSU-250

MODEL	DESCRIPTION	ICE PRODUCTION PER 24 HRS. Based on 50/70°F	BIN CAPACITY	AMPS	VOLTAGE	ICE TYPE	ICE CUBE SIZE	UNIT WEIGHT	UNIT DIMENSIONS
ICSU-50	Self-Contained Ice Maker	55 lb.	25 lb.	3.6	115VAC ~ 60Hz	Cube	3/4" x 3/4" x 1" 19mm x 19mm x 25mm	84 lb.	14.6"W x 23.6"D x 32.8"H
ICSU-90	Self-Contained Ice Maker	90 lb.	24 lb.	11.2	115VAC ~ 60Hz	Cube	3/4" x 3/4" x 1" 19mm x 19mm x 25mm	81 lb.	16.5"W x 21.3"D x 32.5"H
ICSU-140	Under Counter Ice Maker	120 lb.	35 lb.	11.8	115VAC ~ 60Hz	Cube	3/4" x 3/4" x 1" 19mm x 19mm x 25mm	88 lb.	22.1"W x 21.3"D x 32.5"H
ICSU-250	Self-Contained Front Breathing Ice Maker	240 lb.	75 lb.	12	115VAC ~ 60Hz	Cube	3/4" x 3/4" x 1" 19mm x 19mm x 25mm	136 lb.	24"W x 24"D x 39"H