

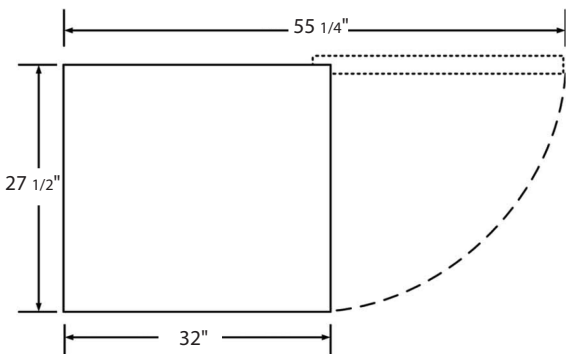
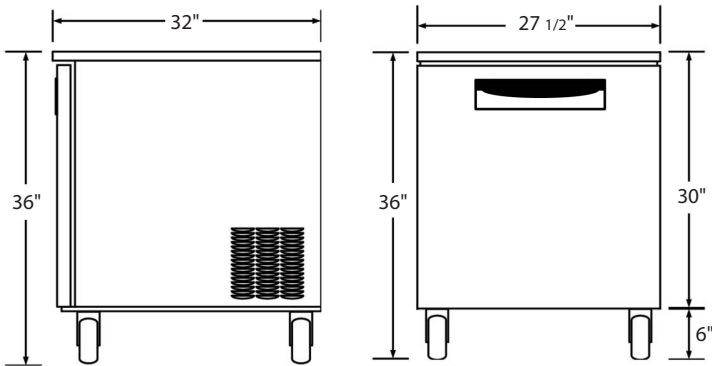


USCF-27

SINGLE DOOR STAINLESS STEEL UNDERCOUNTER FREEZER

27" SINGLE DOOR UNDERCOUNTER FREEZER
FEATURES:

- Durable stainless steel door
- Stainless steel interior and exterior
- Fully balanced self contained refrigeration system
- Easy grab recessed door handle
- High density CFC free polyurethane insulation
- Spring loaded self-closing door
- Installed 9 ft power cord comes standard
- Environmentally friendly R-134a refrigerant
- Components optimized for smooth quiet operation
- Oversized compressor and coil section
- Heavy duty castors with two front brakes
- Height adjustable shelving for easy storage solutions



SPECIFICATIONS: USCFC-27

Doors	1 Stainless steel swing door
Capacity cu. ft.	7 Cu. Ft.
Shelves	2 Epoxy coated wire shelf
Compressor	3/8 HP
Dimensions	27.5"W x 32"D x 36"H
Net Weight	194 lbs
Amps	8.3 A
Power	115V / 60Hz
Power Cord	9 Ft.
Temperature	Below 0 Degrees F

* In the pursuit of a better product, durability and performance. SATURN reserves the right to change specifications, materials and design without further notice.



WARRANTY:
1 year parts and labor.
5 year compressor.