



STAR-MAX® TOASTER OVEN

Model 526TOA

Star-Max® Toaster Oven

Features/Benefits:

- ★ Star-Max toaster oven is perfect for toasting, baking and warming pre-blanching pizzas, garlic bread, toast, pizza slices, pizza boats, cheese melts, bagels, bagel sandwiches and toasting sandwiches to perfection.
- ★ Forced convection keeps the toaster oven cool to the touch and extends life of critical components. The forced convection increases productivity by circulating pre-heated air into the oven chamber.
- ★ Quartz infrared elements, two above and two below provide faster, more consistent heating of products compared to traditional heating elements.
- ★ Automatic 15 minute timer takes the guesswork out of preparing a variety of food products.
- ★ Hi-limit switch prevents oven from overheating and protects critical component parts.
- ★ Energy efficient operation with power saver switch that reduces electricity consumption by 75%. Oven automatically returns to 1/4 power at the end of cooking cycle.



Model 526TOA

Applications:

The Star-Max toaster oven is designed and engineered for high quality food service operations keeping value and efficiency in mind. The "gentle top and bottom heat" perfectly bakes and toasts a variety of food products.

Quality Construction:

The Star-Max toaster oven is designed to stand up to the most rigorous foodservice demands. Stainless steel construction for long lasting durability. Quartz elements for superior heating performance. Furnished with 2-1/2" adjustable legs, 6' cord and a standard NEMA 6-20 plug. Unit should be located 2" away from other units or wall to protect fan.

Warranty:

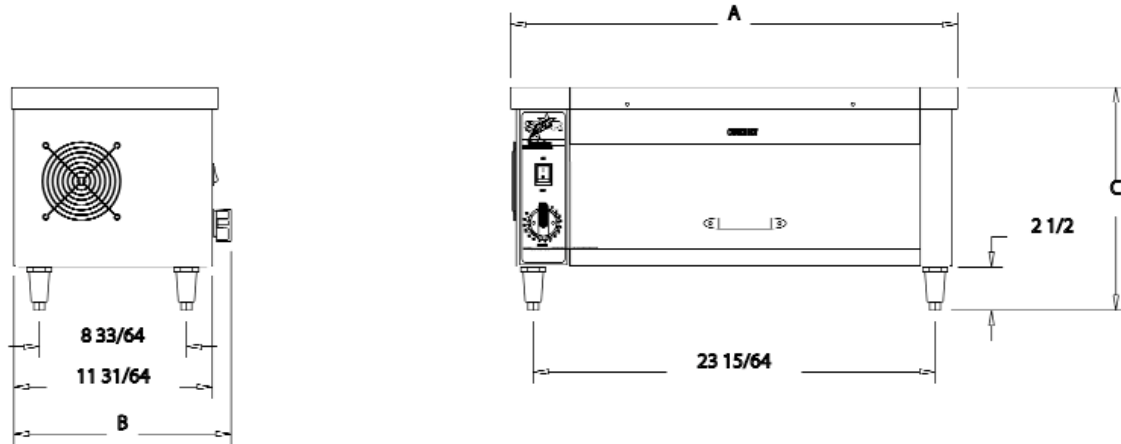
Star's toaster oven is covered by a one-year parts and labor warranty.





STAR-MAX® TOASTER OVEN

Model 526TOA



Performance Data

Model No.	Production Capacities	Product Opening		
		Width	Depth	Height
*526TOA	2 9" Preblanched Pizzas in 5 Minutes	20-1/4" (51.5cm)	10" (25.4cm)	2-1/2" (6.4cm)

Specifications

Model No.	Dimensions			Shipping Weight lbs. (kg)	Shipping Carton		
	(A) Width Inches (cm)	(B) Depth Inches (cm)	(C) Height Inches (cm)		Length Inches (cm)	Depth Inches (cm)	Height Inches (cm)
*526TOA	25-3/4 (65.4)	12-7/8 (32.7)	13 (33)	39 (18)	28-1/4 (71.8)	14-1/2 (36.9)	13 (33)

Electrical Data

Model No.	Volts	HZ 1 Phase	Amps	Watts	Heating Elements		NEMA
					Above Rack	Below Rack	
*526TOA	208	50/60	13.0	2600	2	2	6-20P
	240	50/60	11.3	2600	2	2	6-20P

*Wall mount feature available on request. Contact factory for details 1-800-807-9285

Typical Specifications

Toaster oven features welded stainless steel construction throughout and is equipped with four 650 watt infrared radiant heaters with fused quartz sheathing. Front control panel with on/off switch, panel indicator light and automatic 15 minute timer is standard. Toaster Oven comes complete with 2-1/2" adjustable legs and 6' cord with NEMA 6-20P plug. Unit is UL and CUL listed NSF4 and CE approved. Printed in the USA.

Due to periodic changes in designs, methods, procedures, policies and regulations, the specifications contained in this sheet are subject to change without notice. While Star Manufacturing exercises good faith efforts to provide information that is accurate, we are not responsible for errors or omissions in information provided or conclusions reached as a result of using the specifications. By using the information provided, the user assumes all risks in connection with such use.

Star Manufacturing International Inc. - 10 Sunnen Drive - P.O. Box 430129 - St. Louis, MO 63143-3800
 Phone: (800) 264-7827 - FAX: (800) 264-6666 - www.star-mfg.com