



PRO-MAX 2.0® GROOVED & SMOOTH TWO-SIDED GRILLS

Model PGT7, PGT7I, PGT7E, PGT7IE, PST7, PST7I, PST7E, PST7IE

Features/Benefits

- ★ Expand your menu with Star's Pro-Max two sided grill. Prepare "Panini" sandwiches, chicken breasts, hamburgers, steaks, wraps vegetables and many other menu items quickly and easily while maximizing space.
- ★ Only 10.3" wide saving you counter space!
- ★ New lower profile.
- ★ Heavy-duty aluminum platens provide long life and superior performance for high volume operations.
- ★ A heavy-duty commercial counter balance hinge system and handle provides safe and effortless operation of the top platen.
- ★ Spacious grilling height accommodates product up to 3" with 3-4 pounds of pressure for proper cooking between platens.
- ★ Two-sided cooking heats your menu items in half the time, sealing in the flavor.
- ★ The bottom platen has a patented splash guard to help keep products and grease in their place.
- ★ Ergonomically designed control panel provides easy access and visibility to controls and grease drawer.
- ★ Heavy gauge, water resistant flexible plastic conduit protects electrical connections.
- ★ Easy-to-use electronic controls with multi channel countdown display.
- ★ Thermostat is rated from 175°F (79°C) to 550°F (302°C) and provides accurate sensing of temperature.
- ★ Removable grease drawer in the front of unit for easy clean-up.



Model PGT7E



Model PST7I

Application:

Star's Two-Sided Grills can prepare sandwiches, chicken breasts, wraps, hamburgers and a variety of other menu items in your restaurant, cafe, concession stand, bar, or wherever you need high performance cooking. Grills are compact and portable providing flexibility in your operation.

Quality Construction:

Star's Two-Sided Grills are constructed of 18 gauge stainless steel. Units available with aluminum grooved or smooth platens. Star's Pro-Lift hinge mechanism is constructed of hardened aluminum for strength and durability. Metal tubular elements are standard. The lead-in cord is resistant to water and oil to protect wiring. Furnished with a 6' cord and standard NEMA plug.

Warranty:

Star's Two-Sided Grills are covered by Star's one year parts and labor warranty.



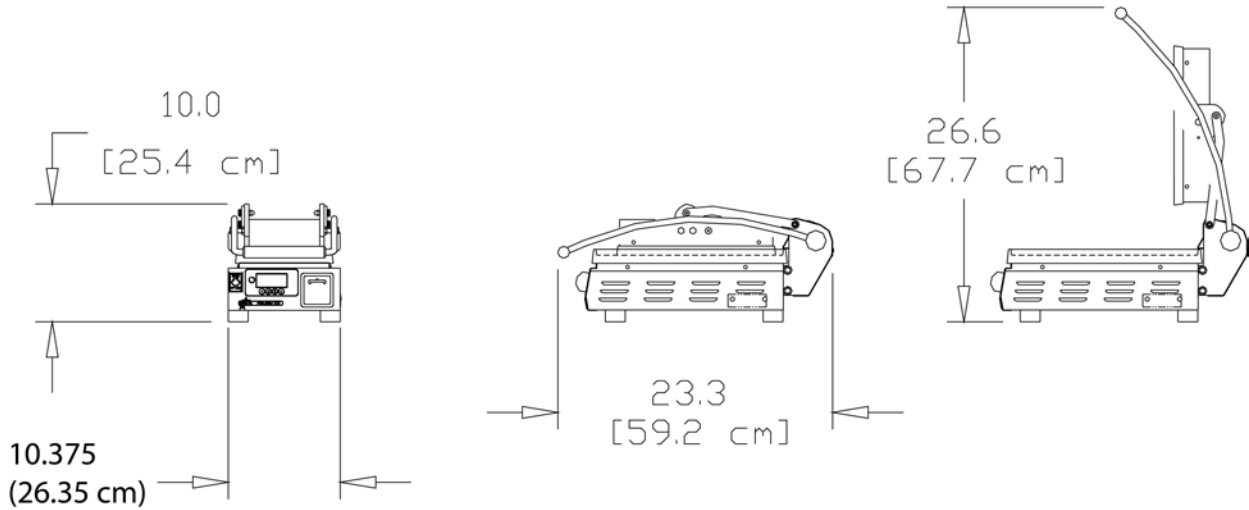


Star Manufacturing

Pro-Max® Grooved Two-Sided Grills

PRO-MAX 2.0® GROOVED & SMOOTH TWO-SIDED GRILLS

Model PGT7, PGT7I, PGT7E, PGT7IE, PST7, PST7I, PST7E, PST7IE



Model and Specifications

Model No.	Grid Surface	(A) Width (cm)	(B) Depth (cm)	Height		Voltage	Wattage	Amps	NEMA	Approximate Weight	
				(C) Closed (cm)	(D) Open (cm)					Shipping (kg)	Installed (kg)
PGT7 & PST7	Aluminum & iron	10.375" (26.35)	23.3" (59.2)	10.0" (25.4)	26.6" (open) (67.7) 10.0" (closed) (25.4)	120	1425	11.9	5-15P	- (-)	- (-)

Typical Specifications

Two-Sided Grills are constructed with an 18 gauge stainless steel body. Aluminum grooved platens are standard. A Pro-Lift mechanism provides easy operation for the top platen. Grilling height between platens is up to 3" providing 3-4 pounds of pressure to the cooking product placed on bottom platen. Metal sheathed tubular elements shall be provided as standard. Non-skid feet shall be standard. Unit shall be provided with six foot power cord with Nema rated plug (see specifications above). Units carry approval of UL, UL Sanitation or UL Canada Standards. Printed in the U.S.A.

Due to periodic changes in designs, methods, procedures, policies and regulations, the specifications contained in this sheet are subject to change without notice. While Star Manufacturing exercises good faith efforts to provide information that is accurate, we are not responsible for errors or omissions in information provided or conclusions reached as a result of using the specifications. By using the information provided, the user assumes all risks in connection with such use.

Star Manufacturing International Inc. - 10 Sunnen Drive - P.O. Box 430129 - St. Louis, MO 63143-3800

Phone: (314) 678-6303 - FAX: (314) 781-3636 - www.star-mfg.com