

**Project:**

**Item Number:**

**Quantity:**

**FROZEN UNCARBONATED BEVERAGE DISPENSERS**



**DESCRIPTION**

Stoelting's Frozen Uncarbonated Beverage Dispensers mix and serve a variety of frozen beverages including margaritas, slushes, coffee drinks, and dairy-based products. They are the ideal choice for bars and restaurants looking for flexibility, capacity and simple operation in a compact footprint.

**ITEMS**

- A118**    **Frozen Uncarbonated Beverage Dispenser**
- D118**    **Frozen Uncarbonated Beverage Dispenser, High Capacity**

**FEATURES**

- Push/Pull self-closing handle for easy, single hand operation
- Extremely quiet, lowest dbA in industry
- Base tray accommodates full-size, 32 oz. pitcher
- Large capacity, high volume drink production
- Can be configured to serve a variety of drinks
- Compact design requires zero clearance at the back, sits flush to the wall to allow for optimal countertop usage
- Customizable illuminated billboard space
- LED illuminated clear window showcases drinks
- Available air-cooled or water-cooled
- Mix level indicator
- Single On/Off switch is simple to operate
- Integrated hopper cover prevents accidental spills in the hopper
- Torque cutoff prevents freeze-up
- 6 ft. (182.9 cm) cord with plug

**IMPORTANT**

- Air cooled models require zero clearance at the back, but require 3" (7.6 cm) clearance on each side of the machine.
- Water cooled machines require ½" N.P.T. water and drain fittings.

**Agency Listings**

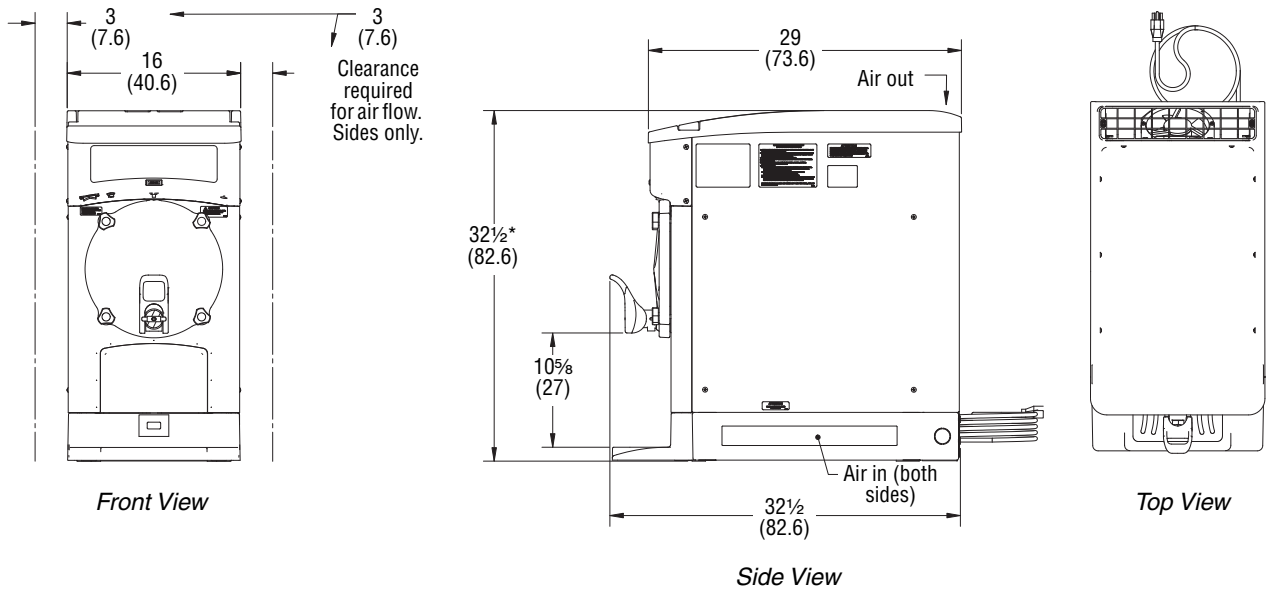


*Due to continued product improvement, please consult our website for current product specifications.*

**WARRANTY:** Five years on major components; One year on labor and non-wear parts.

# FROZEN UNCARBONATED BEVERAGE DISPENSERS

## DIMENSIONS (shown in inches (cm))



\*Height dimension +/- 1/2" (1.3 cm) due to adjustable legs.

## SPECIFICATIONS

Item No.	Capacity			Electrical						Compressor (Btu/hr)	Weight Lb (Kg)
	Hopper Gal (L)	Freezing Cylinder Gal (L)	Number of 32 Oz. Pitchers	Voltage	Hz	Phase	Amps	Drive Motor (HP)	Plug		
A118	5 (18.9)	2 (7.6)	32	115	60	1	10.2	1/7	NEMA 5-20P	4,250	210 (95.3)
				208-240			4.7		NEMA 6-20P		
D118	60	115	13.6	NEMA L5-30P			8,250				
		208-240	8.6	NEMA 6-20P							

Air cooled models are zero clearance at back, but require 3" (7.6 cm) clearance at the sides.  
 Water cooled machines require 1/2" N.P.T. water and drain fittings.



**Main Phone**  
 800-558-5807 (U.S. Toll Free)  
 920-894-2293 (Outside the U.S.)  
 www.stoeltingfoodservice.com

**Customer/Technical Service Phone**  
 888-429-5920