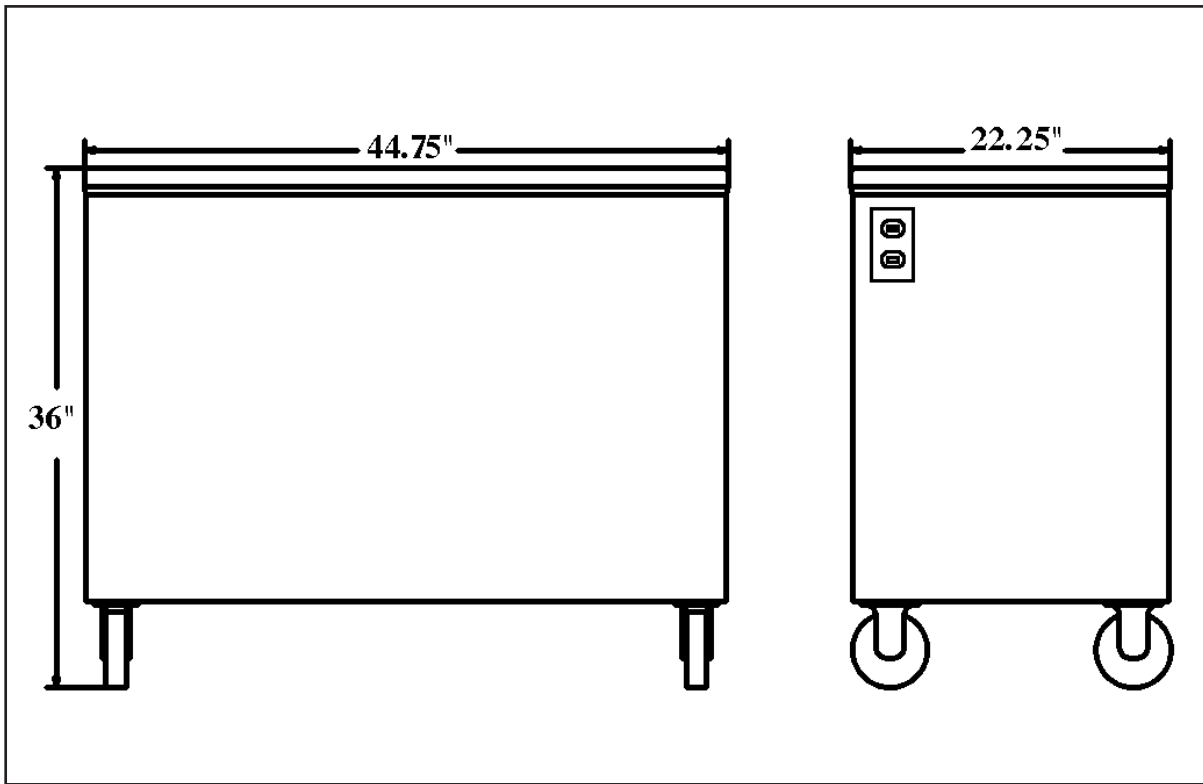




- Refrigerated condiment rail holds chilled fruit, candies or serving items.
- Dual temperature control allows for two different products to be held in the same cabinet. (DC4T only)
- Container storage compartments hold four 4.25 gallon (16 liter) square buckets, ideal for scooping.
- Custom designed for use with Ross frozen custard machines.
- Heavy duty swivel casters allow the cabinet to be portable.
- Easy installation.
- Removable cabinet covers allow easy access to the product.
- Individually refrigerated compartment ensures consistent temperature all day long
- Optional plastic lids.





	DC4/DC4T	
	Cabinet	with crate
Dimensions		
width	44-3/4" (113,7 cm)	60" (152,4 cm)
height	36" (91,4 cm)	44" (111,8 cm)
depth	22-1/4" (56,5 cm)	35-3/4" (90,8 cm)
Weight	218 lbs (98,8 kg)	383 lbs (173,7 kg)
Electrical	1 Phase, 115 VAC, 60Hz	
running amps	approximately 7.8A	
connection type	NEMA5-15P power cord provided	
Compressor	1,340 Btu/hr	
Dipping Well	Four - 4.25 gallon square buckets with lids	

Continuous research leads to ongoing product improvements; therefore, these specifications are subject to change without notice.

Dual Temperature Control on the DC4T



Distributed by:



FOODSERVICE EQUIPMENT
 502 Highway 67 Kiel, WI 53042-1600
 920-894-2293 800-558-5807
 Fax: 920-894-7029
 E-mail: foodservice@stoelting.com
www.stoeltingfoodservice.com

ISO 9001:2000 Registered