

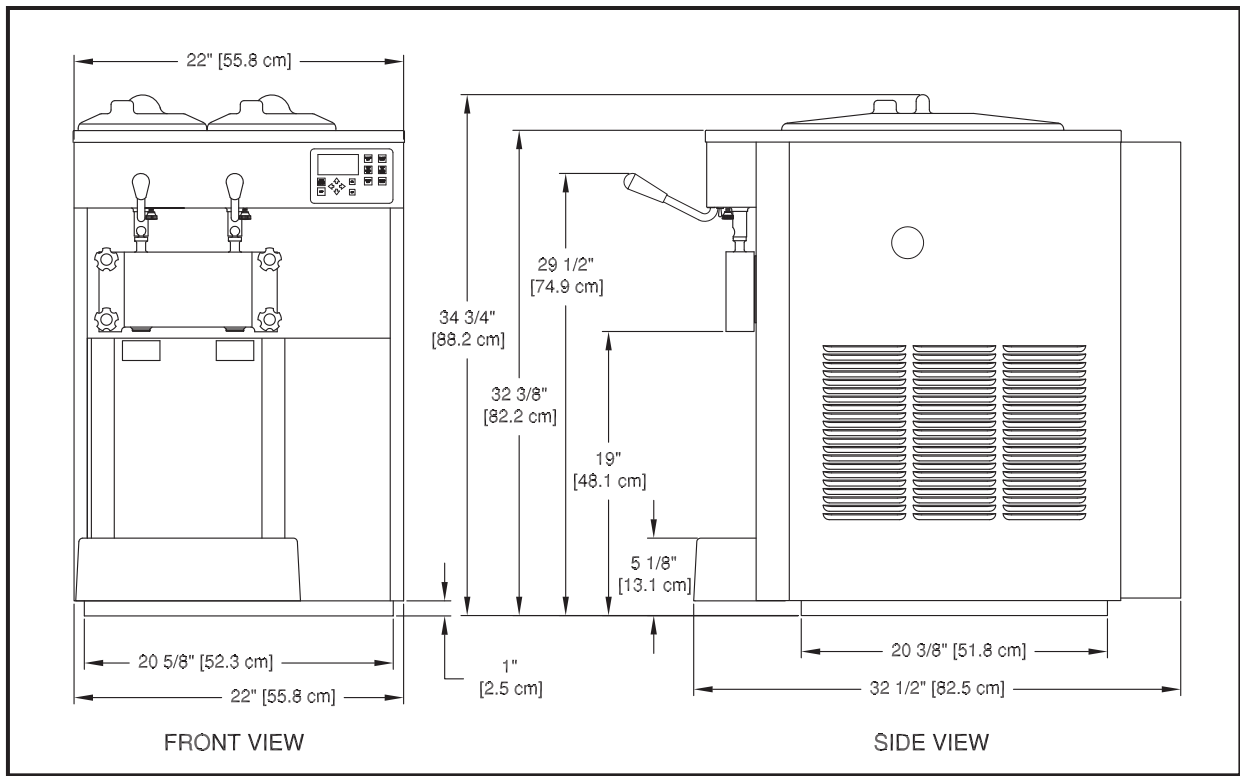
Counter-Top, Gravity, Combination Soft Serve/Yogurt, Shake Freezer

F144 SF144



- High production capacity with 12,000 BTU/hr compressor and two 3/4 hp drive motors.
- IntelliTec2™ control communicates with the operator through a multiline graphics LCD display using full text instructions.
- Self-sharpening, nonmetallic auger flights for reliable service.
- Product consistency is that of a very thick shake.
- Heavy-duty blender for shakes or mix-ins (standard with SF144, option for F144; field or factory installed).
- Allows the operator to dispense outstanding soft serve from the left side, and thick creamy shakes on the right side, with the convenience and cost of one unit.
- The F144 is the ideal choice for restaurants, drive-ins, recreational facilities, ice cream parlors, schools, and cafeterias.
- Durable stainless steel exterior.
- Optional floor stand, heavy duty blender (F144), side mounted blender, flavor dispenser.





| Model F144 I2 / SF144 I2 | | |
|---------------------------------|--|-----------------------------------|
| Dimensions | Machine | with crate |
| width | 22" (55,9 cm) | 28" (71,1 cm) |
| height | 34-3/4" (88,3 cm) | 40-1/4" (102,2 cm) |
| depth | 28-1/2" (72,4 cm) | 35-1/4" (89,5 cm) |
| Weight | 385 lbs (174,6 kg) | 470 lbs (213,1 kg) |
| Electrical* | 1 Phase, 208-240 VAC, 60Hz | 3 Phase, 208-240 VAC, 60Hz |
| running amps | 12A | 10A |
| connection type | NEMA6-20P power cord provided | NEMA L15-20P power cord provided |
| International Option | 1 Phase, 220-240 VAC, 50Hz | |
| Compressor | 12,000 Btu/hr | |
| Drive Motor | Two - 3/4 hp | |
| Air Flow | Air cooled units require 3" (7,6 cm) air space on both sides | |
| Plumbing Fittings | Water cooled units require 3/8" N.P.T. water and drain fittings. | |
| Hopper Volume | Two - 3 gallon (11,35 liters) | |
| Freezing Cylinder Volume | Two - 0.85 gallon (3,22 liters) | |

Continuous research leads to ongoing product improvements; therefore, these specifications are subject to change without notice and should not be used as installation specifications.

* Machine requires a dedicated electrical circuit.

Distributed by:



STOELTING

A VOLLRATH® COMPANY

stoeltingfoodservice.com

Stoelting Foodservice Equipment
502 Highway 67 • Kiel, WI 53042-1600
920-894-2293 • 800-558-5807

Customer/Technical Service: 888-429-5920
E-mail: foodservice@stoelting.com

Certified, Listed
and/or Recognized by:



ISO 9001:2008 Registered
STMF-133 4/15