

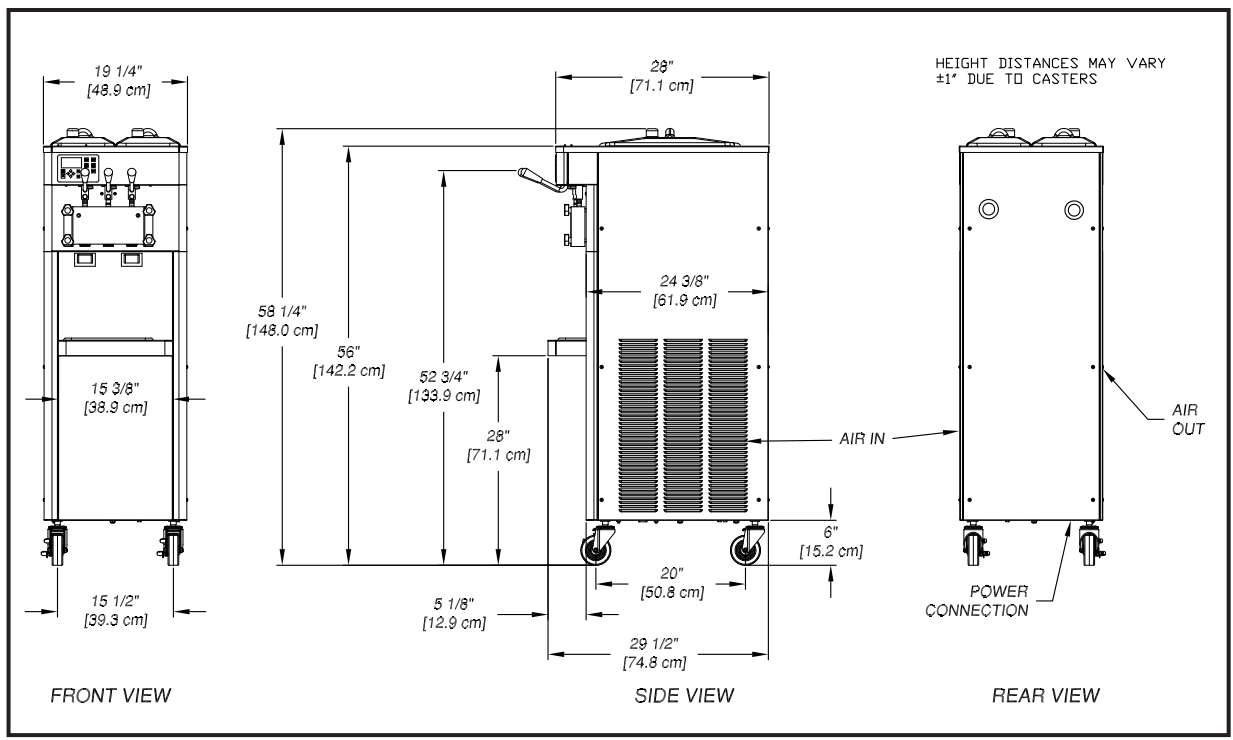
# Twin Twist, Gravity Soft Serve/Yogurt Freezer

F231



- Precision controlled refrigeration system designed for quality product consistency from the first cone to the last.
- Powerful IntelliTec2™ control communicates with the operator through a multiline graphics LCD using full text instructions.
  - ✓ Provides additional operator information.
  - ✓ Enhanced service diagnostic capability.
- Energy Conservation Mode (ECM) protects product from over-agitation during slow or non-draw periods.
- Compact design with a small footprint is an ideal choice for locations where space is an issue.
- Proprietary auger design gently folds mix and prevents product breakdown, producing a smoother, creamier product.
- Clear door shows visible moving product for merchandising appeal.
- Self-closing spigot eliminates waste and ensures precise portion control.
- Spigot handle height meets ADA requirements for self service locations.
- Adjustable dispense rate for optimal product output.
- Long-wearing parts offer lower preventative maintenance costs.
- Built for ease of operation and cleaning.
- Twist feature allows you to serve two flavors individually or combine flavors for a unique twist.







Model F231		
<b>Dimensions</b>	<b>Machine</b>	<b>as shipped</b>
width	19-1/4" (48,9 cm)	32" (81,3 cm)
height	58-1/4" (148,0 cm)	60" (152,4 cm)
depth	28" (71,1 cm)	39" (99,1 cm)
<b>Weight</b>	400 lbs (181,4 kg)	470 lbs (213,1 kg)
<b>* Electrical</b>	<b>1 Phase, 208-240 VAC, 60Hz</b>	<b>3 Phase, 208-240 VAC, 60Hz</b>
running amps	12A	10A
connection type	NEMA 6-20P power cord provided	NEMA L15-20P power cord provided
International Option	1 Phase, 220-240 VAC, 50Hz	
<b>Compressor</b>	12,000 Btu/hr (R-404A)	
<b>Drive Motor</b>	Two - 3/4 hp	
<b>Air Flow</b>	Air cooled units require 3" (7,6 cm) air space on both sides	
<b>Plumbing Fittings</b>	Water cooled units require 1/2" N.P.T. water and drain fittings. Maximum water pressure of 130 psi. Minimum water flow rate of 3 GPM. Ideal EWT of 50°-70°F	
<b>Hopper Volume</b>	Two - 3 gallon (11,35 liters)	
<b>Freezing Cylinder Volume</b>	Two - 0.85 gallon (3,22 liters)	

Continuous research leads to ongoing product improvements; therefore, these specifications are subject to change without notice and should not be used as installation specifications.

\* Machine requires a dedicated electrical circuit.

Distributed by:

**STOELTING**  
 FOODSERVICE EQUIPMENT  
 502 Highway 67 • Kiel, WI 53042-1600  
 920-894-2293 • 800-558-5807  
 Fax: 920-894-7029  
 E-mail: foodservice@stoelting.com  
 www.stoeltingfoodservice.com

ISO 9001:2008 Registered  
 Certified, Listed and/or Recognized by:  

  
 STMF-102A 04/12