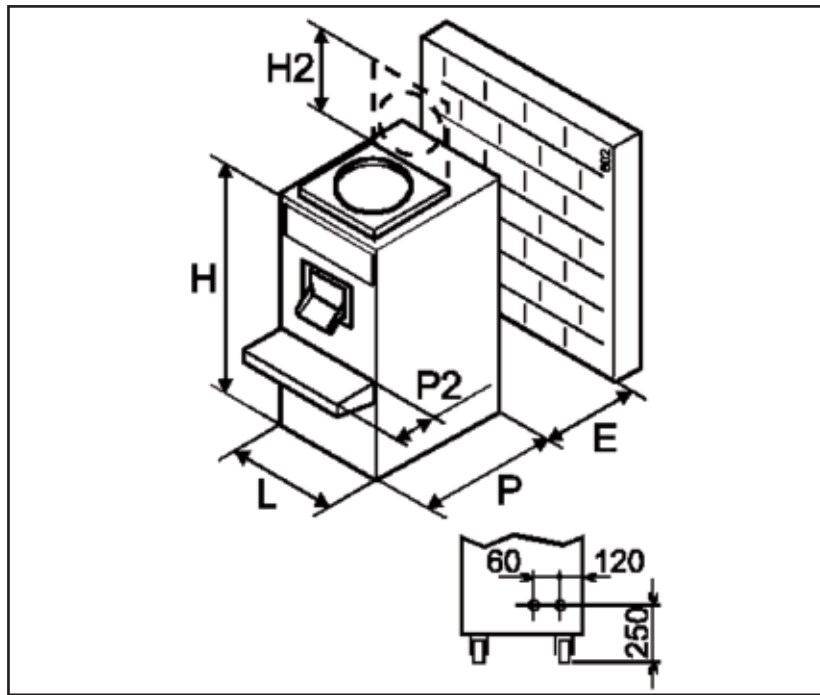


BATCH FREEZER



- Two parallel refrigeration systems reduce energy and water consumption.
- Vertically oriented freezing cylinder provides high capacity and maximum energy efficiency.
- Large diameter freezing cylinder facilitates extremely fast freezing times, resulting in very small ice crystal formation.
- Easy cleaning and simple assembly of beater parts.
- Low-cost, long wearing, NSF approved plastic beater blades minimize frequent and costly blade replacement.
- Heavy-duty stainless steel beater shaft built to withstand years of use.
- Clear acrylic freezing cylinder cover allows monitoring of product while freezing.
- Easy access to freezing cylinder when adding variegates and particulates.
- Thorough mixing of variegates and particulates unachievable to horizontal barrels.
- All controls and indicators conveniently grouped in a single panel, on the front of the freezer.
- All buttons and indicators identified by easily understood symbols relative to their function.
- Time/temperature controlled freezing achieves same smooth texture and product consistency across full and partial batches, a feature not possible with consistency controlled freezers.
- Swing gate style, stainless steel extraction door design provides rapid extraction of product.
- Two robust 3.6 horsepower, semi-hermetic compressors, engineered for high quality and outstanding reliability.



| SPECIFICATIONS | MODEL VB90 | |
|-----------------------------|---|-------------------|
| DIMENSIONS | FREEZER | WITH CRATE |
| Depth | 27.6" (70 cm) | 30.7" (78 cm) |
| Width | 20" (51 cm) | 22" (56 cm) |
| Height | 45.3" (115 cm) | 60.2" (153 cm) |
| WEIGHT | FREEZER | WITH CRATE |
| | 628 lbs. (285 kg) | 681 lbs. (309 kg) |
| ELECTRICAL | 3 phase, 208-230 volt, 8.5 kW, 60 Hz Approximately 33 total running amps. 50 amp fuse, HACR circuit breaker or regular circuit breaker. | |
| REFRIGERANT | R404A HFC environmentally friendly refrigerant | |
| COMPRESSOR | 2 compressors, 3.6 H.P. semi-hermetic | |
| BEATER MOTOR | 6.4 H.P. (5.5 H.P. on extraction) | |
| COOLING | Water-Cooled. Water cooled condenser requires 3/4" N.P.T. on water and drain fittings. | |
| CYLINDER CAPACITY | 7.5 gallons (30 quarts, 28.4 liters) | |
| LIQUID MIX PER BATCH | 7 minimum, 12 maximum Quarts | |
| WORKING CYCLE | 6 to 12 minutes | |
| HOURLY PRODUCTION | 21.1 gallons (90 liters) on average | |
| WARRANTY | One-year parts and labor warranty. Two-years parts warranty on freezing cylinder, compressor, drive motor, gearbox and agitator shaft. | |

Continuous research leads to ongoing product improvements; therefore, these specifications are subject to change without notice.

Distributed by:



STOELTING
 FOODSERVICE EQUIPMENT
 502 Highway 67 • Kiel, WI 53042-1600
 920-894-2293 • 800-558-5807
 Fax: 920-894-7029
 E-mail: foodservice@stoelting.com
www.stoeltingfoodservice.com

ISO 9001:2000 Registered
 Certified, Listed and/or
 Recognized by:

