

Product Specifications

Refrigerated Self-Service Case 32"D

Lengths include end panels

- B3632-QS 36-5/8"L x 32-1/4"D x 82-1/4"H
- B4732-QS 47-5/8"L x 32-1/4"D x 82-1/4"H
- B5932-QS 59-5/8"L x 32-1/4"D x 82-1/4"H
- B7132-QS 71-5/8"L x 32-1/4"D x 82-1/4"H
- B8832-QS 88-3/8"L x 32-1/4"D x 82-1/4"H



MODEL SHOWN: B4732-QS



STANDARD FEATURES

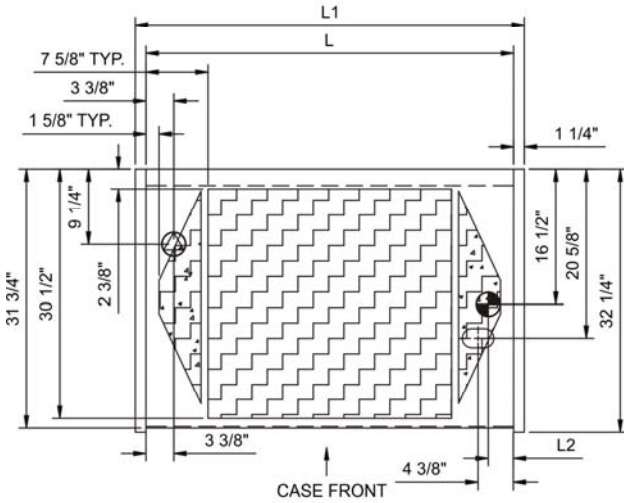
- Breeze~E (Type-II) w/ EnergyWise s/c refrigeration
- Compressor air lower front intake and upper front discharge.
Front panel cannot be blocked
- Condensate pan (self-contained refig. only)
- Flat upper front panel & header
- Integrated average product temperature of 40°F or less
- One piece formed ABS plastic tub (n/a B8832)
- One year parts & labor; 5 year compressor warranty
- Removable deck pans provide complete access to evaporator coil & refrigeration connections
- Shelving removable and adjustable on 1" centers
- Solid back panel, black
- T-8 top light

Features	Standard	Options
EXTERIOR COLOR	<input type="checkbox"/> Laminated (non-premium) Confirm pattern/grain direction	<input type="checkbox"/> Laminated (premium) Confirm pattern/grain direction
INTERIOR COLOR	<input type="checkbox"/> Black	
LWR LOUVERED FRNT PANEL	<input type="checkbox"/> Painted - Black	
BASE	<input type="checkbox"/> Casters w/ levelers	
END PANEL LEFT	<input type="checkbox"/> Full end panel w/mirror interior (metal edge matches interior color)	
END PANEL RIGHT	<input type="checkbox"/> Full end panel w/mirror interior (metal edge matches interior color)	
SHELVING	<input type="checkbox"/> Metal shelves, non-lighted	<input type="checkbox"/> Metal shelves, lighted (T-8)
ELECTRICAL CONNECT	<input type="checkbox"/> 6' power cord (base exit)	
REFRIGERATION	<input type="checkbox"/> Breeze~E (Type-II) w/ EnergyWise s/c refrigeration	

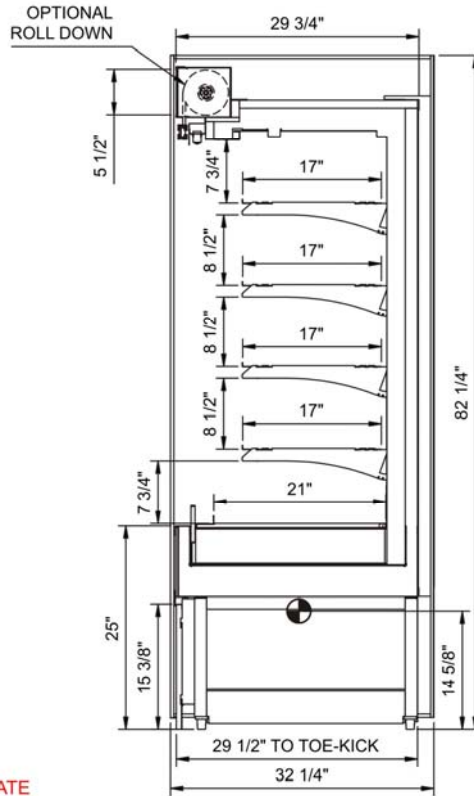
Product Specifications

Intended Environment: Type II - Designed to operate in ambient conditions of 80°F and 60% relative humidity unless noted otherwise in system information below.		
Zone	Intended Product To Be Displayed	Integrated Prod Temp ° F
All	Packaged refrigerated products	40

PLAN VIEW



SIDE VIEW



NOTE: ALL DIMENSIONS APPROXIMATE

- ELECTRICAL JUNCTION BOX (SUPPLIED WITH 6\"/>
- REFRIGERATION LINE CONNECTION.
- SELF-CONTAINED CASE SERVICE ACCESS AREA.
- LOCATION OF DRAIN TUBE FOR REMOTE REF. ONLY (SUPPLIED WITH 1/2\"/>
- REMOTE FLOOR SINK & UTILITIES ACCESS AREA.
- DRY CASE SERVICE ACCESS AREA.

Model Technical Specifications															
Model	L"	L1"	L2"	System Circuit Volts		Phs	Freq	Amps ***	Watts	Wires	NEMA Plug	SST	BTUH	Ship Wt	
B3632-QS	N/A	36.63	3.13	Self-Contained	Circuit #1	110-120	1	60	16.00	1,463	N/A	N/A	N/A	N/A	950
B4732-QS	N/A	47.63	3.13	Self-Contained	Circuit #1	208-240	1	60	10.16	1,908	2+G	N/A	N/A	N/A	1,150
B5932-QS	N/A	59.63	3.13	Self-Contained	Circuit #1	208-240	1	60	11.90	2,286	2+G	N/A	N/A	N/A	1,250
B7132-QS	N/A	71.63	3.13	Self-Contained	Circuit #1	208-240	1	60	16.00	1,263	2+G	N/A	N/A	N/A	1,350
B8832-QS	N/A	88.38	3.13	Self-Contained	Circuit #1	208-240	1	60	20.38	3,083	2+G	N/A	N/A	N/A	1,550

*** Does not include electric defrost on freezer models.

Important Notes:

- 1) ELECTRICAL NOTE: If GFCI is required, a GFCI breaker MUST be used in lieu of a GFCI receptacle
- 2) Performance issues (product temperatures, water on floor, etc.) caused by adverse conditions are not covered by warranty.
- 3) Keep unit at least 15' from exterior doors, overhead HVAC vents, or any air curtain disruption.
- 4) End panels must be tightly joined or kept at least 6" away from any structure to prevent condensation.
- 5) Do not expose unit to direct sunlight or any heat source (ovens, fryers, etc.).
- 6) Tile floors, low ceilings, or small rooms will increase noise level.

Regulatory Approvals:

All Models
 Accordance with AHRI Std 1200
 ETL Listed to UL 471
 ETL Listed to CAN/CSA 22.2 No. 120
 ETL Sanitation to NSF 7



In Accordance with
AHRI Std 1200

DOE 2012
 Energy Efficiency
 Compliant