

## Product Specifications

### Refrigerated Self-Service Counter Case

Lengths include end panels

- CO33R 36-1/4"L x 32-3/8"D x 33-3/4"H
- CO43R 47-1/4"L x 32-3/8"D x 33-3/4"H
- CO53R 59-1/4"L x 32-3/8"D x 33-3/4"H
- CO63R 71-1/4"L x 32-3/8"D x 33-3/4"H



STD = FREESTANDING (-FS) / 33-3/4"H



OPT = COUNTER HEIGHT (-CH) / 33-3/4"H



OPT = UNDERCOUNTER HEIGHT (-UC) / 32-3/4"H



#### STANDARD FEATURES

- NOTE: ADD SUFFIX TO MODEL # LISTED ABOVE BASED ON MODEL CONFIGURATION CHOSEN BELOW
- Breeze~E (Type-II) w/ EnergyWise s/c refrigeration
- Blue Fin coated coil
- Casters (non-locking) w/ levelers
- Compressor air rear intake, front discharge at toe kick. Front and rear panels cannot be blocked. Must remain 4" from wall
- Condensate pan (self-contained refrig. only)
- Flat front panel
- Integrated average product temperature of 40°F or less
- LED 3500K top light
- One piece formed ABS plastic tub
- One year parts & labor; 5 year compressor warranty
- Removable deck pans provide complete access to evaporator coil & refrigeration connections
- Toe kick, black

Features	Standard	Options
<b>MODEL CONFIGURATION</b>	<input type="checkbox"/> Freestanding (-FS) Counter ht. 33-3/4"H; freestanding unit w/2 end panels. Top & front panels positioned between end panels	<input type="checkbox"/> Counter height (-CH) Counter ht. 33-3/4"H; Top & front panels extended over end panels to blend w/adj. counters (supplied by others) <input type="checkbox"/> Undercounter height (-UC) Undercounter ht. 32-3/4"H; front panel extends over end panels to blend w/adj. counters (supplied by others). Counter surface (supplied by others) extends over top of unit
<b>EXTERIOR COLOR</b>	<input type="checkbox"/> Laminated (non-premium) Confirm pattern/grain direction	<input type="checkbox"/> Laminated (premium) Confirm pattern/grain direction <input type="checkbox"/> Stainless steel exterior
<b>INTERIOR COLOR</b>	<input type="checkbox"/> Black interior	<input type="checkbox"/> Stainless steel interior
<b>END PANEL LEFT</b>	<input type="checkbox"/> Square full end panel w/mirror	<input type="checkbox"/> Curved end panel w/mirror (-FS model only) <input type="checkbox"/> No end panel (for same case to case connect)
<b>END PANEL RIGHT</b>	<input type="checkbox"/> Square full end panel w/mirror	<input type="checkbox"/> Curved end panel w/mirror (-FS model only) <input type="checkbox"/> No end panel (for same case to case connect) (requires sync defrost cycles)
<b>EXTERIOR BACK PANEL</b>	<input type="checkbox"/> Solid back panel, black	<input type="checkbox"/> Solid back panel, stainless steel
<b>ELECTRICAL CONNECT</b>	<input type="checkbox"/> 6' straight blade power cord (self-cont.)	<input type="checkbox"/> 6' locking power cord (self-cont.) <input type="checkbox"/> Electrical leads (remote)
<b>REFRIGERATION</b>	<input type="checkbox"/> Breeze~E (Type-II) w/ EnergyWise s/c refrigeration	<input type="checkbox"/> Note: Remote doesn't incl Conds unit. Floor drain reqd. <input type="checkbox"/> 1 Remote w/thermostat, solenoid & TXV
<b>MISCELLANEOUS</b>		<input type="checkbox"/> Second year parts & labor warranty (excludes compressor) <input type="checkbox"/> Synchronized defrost cycles (w/ connect of same case models w/o case to case acrylic panel)
<b>ACCESSORIES</b>		<input type="checkbox"/> 2"H Full depth display riser(s) for lower display <input type="checkbox"/> Clean Sweep® coil cleaner (n/a w/remote) <input type="checkbox"/> Night curtain, retractable, non-locking <input type="checkbox"/> Solid security cover, removable, locking

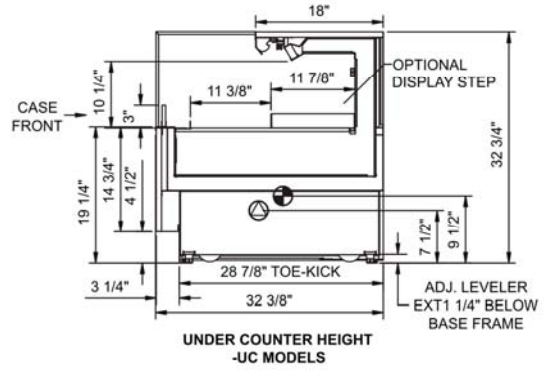
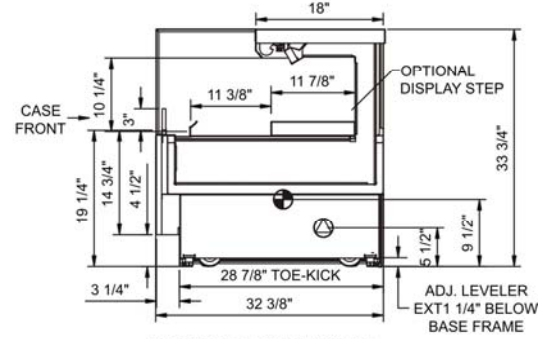
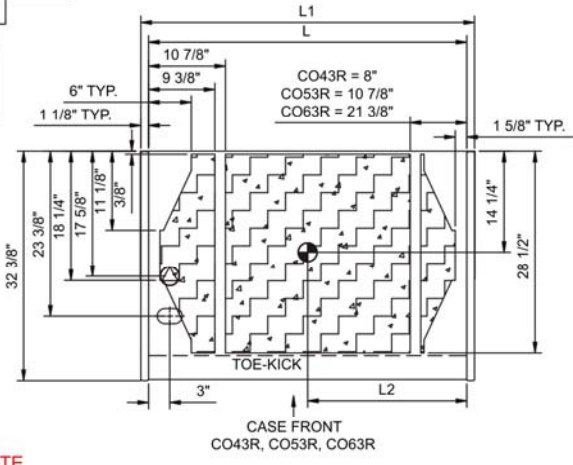
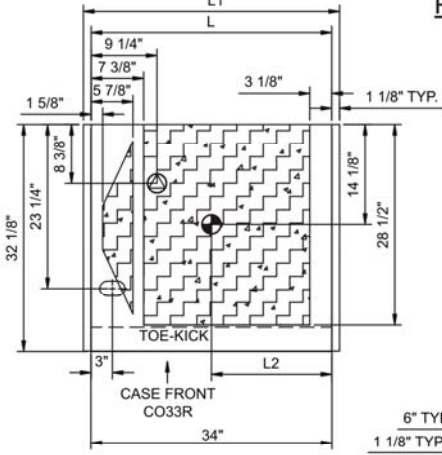
Option Notes: 1 - See tech spec for remote load reqmts

## Product Specifications

<b>Intended Environment:</b> Type II - Designed to operate in ambient conditions of 80°F and 60% relative humidity unless noted otherwise in system information below.		
<b>Zone</b>	<b>Intended Product To Be Displayed</b>	<b>Integrated Prod Temp ° F</b>
All	Packaged refrigerated products	40

**PLAN VIEW**

**SIDE VIEW**



**NOTE: ALL DIMENSIONS APPROXIMATE**

- ELECTRICAL JUNCTION BOX (SUPPLIED WITH 6" LEADS OR POWER CORD).
- REMOTE FLOOR SINK & UTILITIES ACCESS AREA.
- LOCATION OF DRAIN TUBE FOR REMOTE REF. ONLY (SUPPLIED WITH 3/4" OR 1 1/2" PVC TUBE).
- SELF-CONTAINED CASE SERVICE ACCESS AREA.
- REFRIGERATION LINE CONNECTION.
- DRY CASE SERVICE ACCESS AREA.

**Model Technical Specifications**

Model	L"	L1"	L2"	System Circuit Volts		Phs	Freq	Amps ***	Watts	Wires	NEMA Plug	SST	BTUH	Ship Wt	
CO33R	N/A	36.25	17.00	Remote(Type I)	Circuit #1	110-120	1	60	1.12	36	2+G	Leads Multiple	20.00	1650	600
				Remote(Type II)	Circuit #1	110-120	1	60	1.12	42	2+G	Leads Multiple	20.00	1975	
				Self-Contained	Circuit #1	110-120	1	60	10.98	1,114	2+G	5-15P or L5-15P	N/A	N/A	
CO43R	N/A	47.25	22.50	Remote(Type I)	Circuit #1	110-120	1	60	1.14	40	2+G	Leads Multiple	20.00	1875	700
				Remote(Type II)	Circuit #1	110-120	1	60	1.14	40	2+G	Leads Multiple	20.00	2225	
				Self-Contained	Circuit #1	110-120	1	60	11.70	1,241	2+G	5-15P or L5-15P	N/A	N/A	
CO53R	N/A	59.25	28.50	Remote(Type I)	Circuit #1	110-120	1	60	1.22	52	2+G	Leads Multiple	20.00	2375	900
				Remote(Type II)	Circuit #1	110-120	1	60	1.22	52	2+G	Leads Multiple	20.00	2800	
				Self-Contained	Circuit #1	110-120	1	60	14.58	1,446	2+G	5-20P or L5-20P	N/A	N/A	
CO63R	N/A	71.25	34.50	Remote(Type I)	Circuit #1	110-120	1	60	1.76	107	2+G	Leads Multiple	20.00	2925	1,000
				Remote(Type II)	Circuit #1	110-120	1	60	1.51	69	2+G	Leads Multiple	20.00	3450	
				Self-Contained	Circuit #1	110-120	1	60	14.97	1,479	2+G	5-20P or L5-20P	N/A	N/A	

\*\*\* Does not include electric defrost on freezer models.

**Important Notes:**

- 1) ELECTRICAL NOTE: If GFCI is required, a GFCI breaker MUST be used in lieu of a GFCI receptacle
- 2) 33" Minimum entry door clearance required (w/out shipping skid)
- 3) Performance issues (product temperatures, water on floor, etc.) caused by adverse conditions are not covered by warranty.
- 4) Keep unit at least 15' from exterior doors, overhead HVAC vents, or any air curtain disruption.
- 5) Do not expose unit to direct sunlight or any heat source (ovens, fryers, etc.).

Regulatory Approvals:	
All Models	Accordance with AHRI Std 1200 ETL Listed to UL 471 ETL Listed to CAN/CSA 22.2 No. 120 ETL Sanitation to NSF 7

